

OVERVIEW: RB05 CRANK GEAR S60 SYSTEM

RB05 Crank Gear System brings a heavy weight operation to the S60 Acmeda range with the ability to carry up to 26Kg's.

AESTHETIC FEATURES

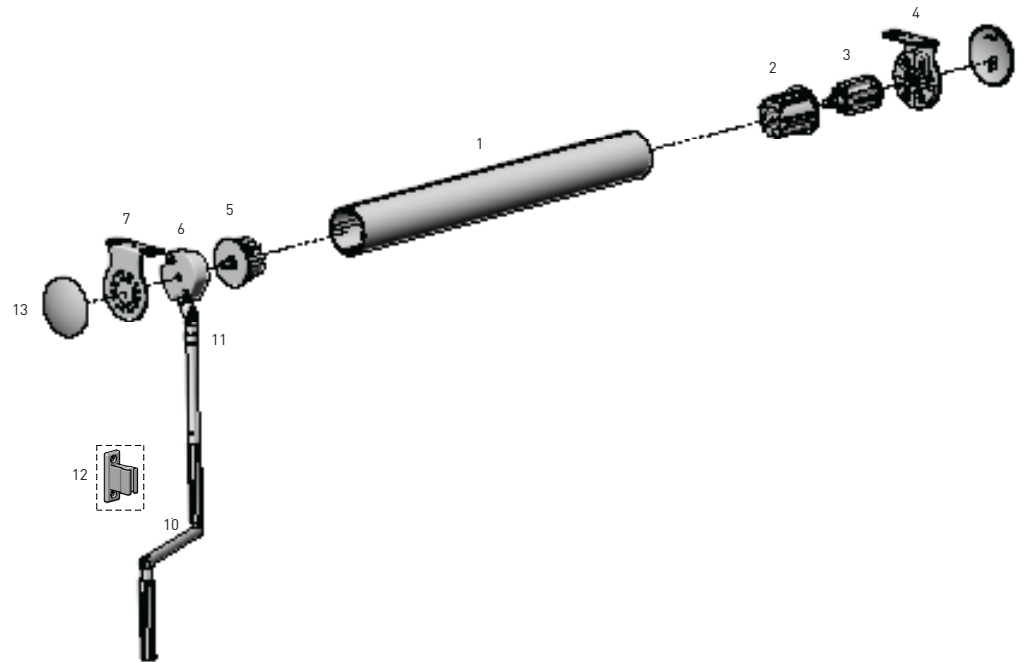
- Colour coded accessories including bracket covers.

ASSEMBLY / INSTALLATION BENEFITS

- Shade security ensured with Snap Lock spring loaded idle end.
- Easy to use, safe installation.
- Secure shade bracket locking system.

FUNCTIONAL BENEFITS

- Compatible with RB10 & RB56 componentry
 - Detachable crank arm.
 - Optional securing arm support.
 - Large 6:1 ratio gear.
 - Child safe.
 - 26 Kgs maximum blind weight capacity *
- * Dependant on gear & tube size.



SYSTEM INDEX

1	Aluminium Tube - S60 RB91-02#0-000580
2	RB10 Tube Adapter - S60 RB10-6000-xxx0#0
3	RB10 Idler Head - S60 RB10-6200-xxx001
4	RB10 Idler Bracket Kit RB10-6500-xxx001
5	Gear Drive End Cap - S60 RB56-4007-xxx0#0
6	Crank Gear Large RB05-4207-025001 - Large
7	M50 Universal Motor Bracket - 60 or 80mm RB56-7103-xxx0#0
10	Crank Control Arm [100, 150 & 200cm] RB05-9101-340###
11	Coupling Joint RB05-9101-020001
12	Crank Arm Support RB05-9102-xxx000
13	RB10 Bracket Cover Cap RB10-0101-xxx060

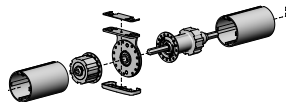
xxx= colour ## = size

COLOUR RANGE

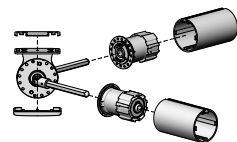


ADD ON SYSTEMS

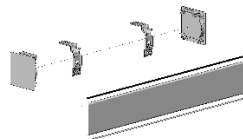
MULTI-LINK SYSTEM



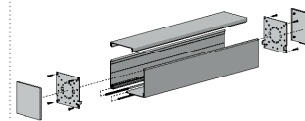
UNI-LINK SYSTEM



VALANCE FRS120

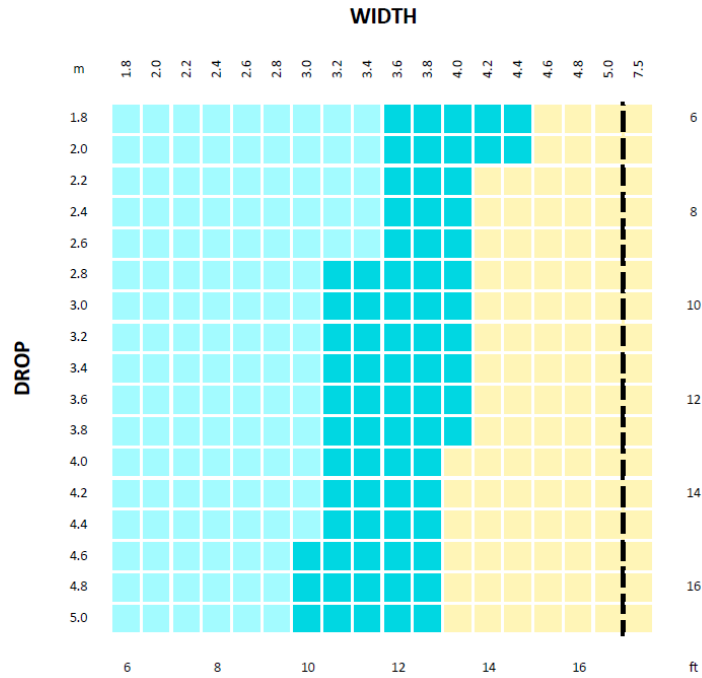


SQUARE BOX 120



SPECIFICATIONS: RB05 CRANK GEAR S60 SYSTEM

SYSTEM CAPACITY CHART

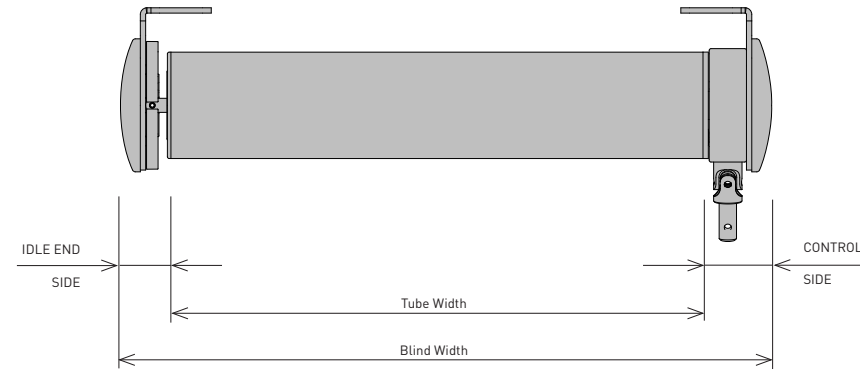


CONTROL GEAR	TUBE	EASY-LINK REQ.
	S60 80HD / 60STD	Yes
	S60 80HD	No

*Refer to S60 Multi-Link QRG for further details

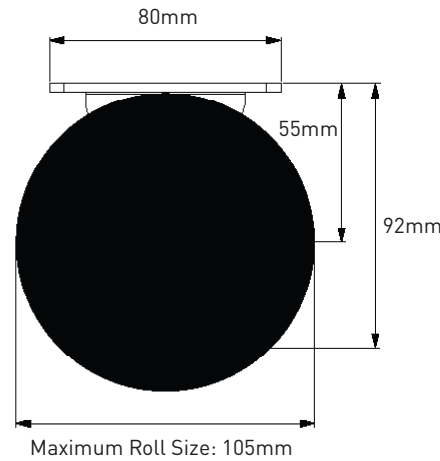
Minimum Blind Width: 0.25m

DEDUCTIONS



	IDLE END SIDE	CONTROL SIDE	OVERALL DEDUCTION
RB10 IDLE END - with covers	28mm (1.10")	39mm (1.53")	67mm (2.63")
RB10 IDLE END - withOUT covers	17mm (0.66")	28mm (1.10")	45mm (1.77")
RB56 IDLE END - with covers	29mm (1.14")	39mm (1.53")	68mm (2.67")
RB56 IDLE END - withOUT covers	18mm (0.70")	28mm (1.10")	46mm (1.81")

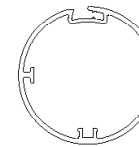
MAX ROLL



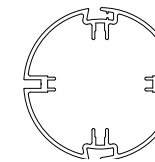
RECOMMENDED LIFT CAPACITY FOR LARGE CRANK GEAR

TUBE	MAX. IDEAL LIFT WEIGHT
S60 60STD tube	26 kg (57 lb) of Load Weight
S60 80HD tube	20 kg (44 lb) of Load Weight

ALUMINIUM TUBES



S60 | 60 STANDARD Tube
 CODE: RB91-0260-000580
 O.D.: 60mm
 Length: 5.8metres



S60 | 80 HEAVY DUTY Tube
 CODE: RB91-0280-000480 - 4.8m
 RB91-0280-000580 - 5.8m
 O.D.: 80mm
 Length: 4.8 & 5.8metres