

OVERVIEW: SS38 SYSTEM

The SS38 Roman Blind System offers an elegant square profile housing new operating mechanisms designed for efficient and smooth operation.

AESTHETICAL FEATURES

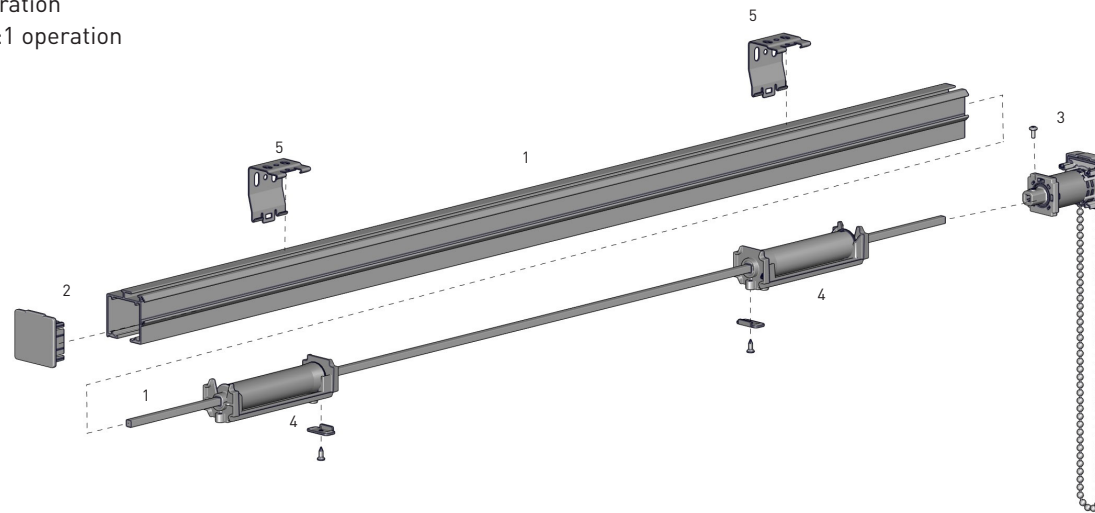
- Contemporary slimline aluminium profile
- End covers for a neat overall finish

ASSEMBLY / PRODUCTION FEATURES

- Low profile non obtrusive mounting clips
- Push and release spring loaded mounting clip option
- Spline fabric attachment option
- Hook and loop tape fabric attachment option
- Effortless installation

FUNCTIONAL BENEFITS

- Smooth and quiet operation
- Direct Drive control unit 1:1 operation
- Planetary Drive Control unit 3.5:1 operation
- 4m maximum width
- Guided spool system



SYSTEM INDEX

- | | |
|---|------------------------------------------------------------------------------------------|
| 1 | SS38 Aluminium Profile [inc. Crimp Tape + Rod]
SS38-0130-xxx580 |
| 2 | SS38 Idle End Cap
SS38-0120-xxx040 |
| 3 | SS38 Drive Unit
SS38-0420-xxx051 - Planetary Drive
SS38-0411-xxx051 - Direct Drive |
| 4 | SS38 Spool Cone inc. 4m White Cord & White clamp]
SS38-8341-580451 |
| 5 | SS38 Low Profile Mounting Clip
SS38-0212-xxx034 |

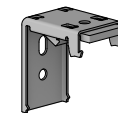
xxx = colour

COLOUR RANGE



pure white silver grey black

SYSTEM OPTIONS

SPRING LOADED
MOUNTING CLIP

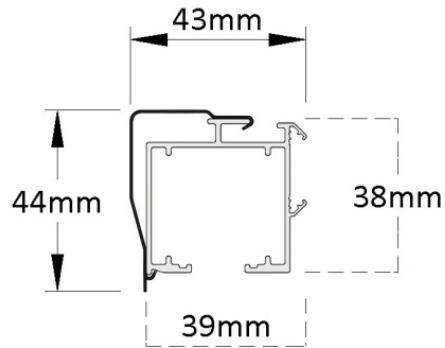
CONTROL OPTIONS

PLANETARY DRIVE
[3.5:1]DIRECT DRIVE
[1:1]

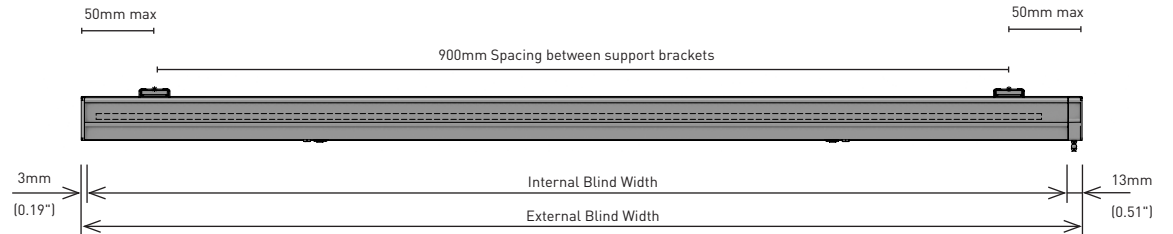
SPECIFICATIONS: SS38 SYSTEM

PROFILE DIMENSIONS

Low Profile Mounting Clip

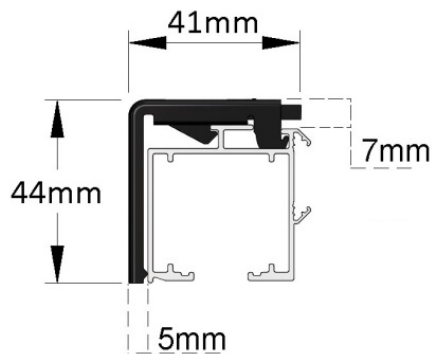


DEDUCTIONS



Total Blind Width = Internal Blind Width + 15mm (2 x 13mm)

Spring Loaded Mounting Clip



CAPACITY CHART

		WIDTH (m)			
		1	2	3	4
DROP (m)	1				
	2				
	3				
	4				

LEGEND	DESCRIPTION
	RECOMMEND IDEAL PULL FORCE / LIFT RANGE
	N/A

*Based on fabric weight of 160 grams per square meter, 1.4mm braided cord and standard base bar.