

**OVERVIEW: SKYLINE MEDIUM CHAIN CONTROL | SL15-LITE | 38mm (1 1/2") SYSTEM**

The Skyline system is the flagship of the Rollease product line. The Skyline Medium SL15-Lite Chain Control offers a sleek rounded chain guard profile which is ideal for both residential & commercial applications. Skyline clutches feature Velvetrol Technology and our limited lifetime warranty.

**AESTHETICAL FEATURES**

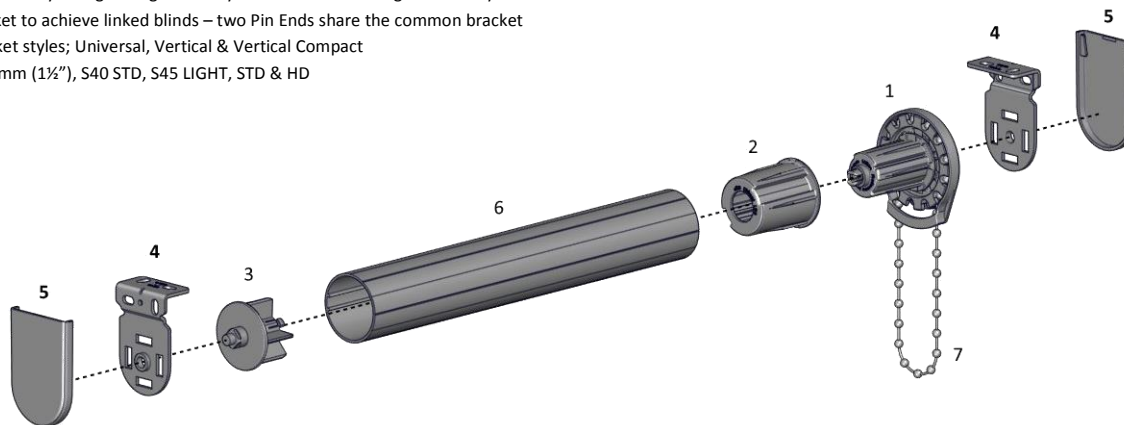
- Sleek, rounded chain guard design
- Reduced light gaps
- Bracket Covers, colour coded

**PRODUCTION / ASSEMBLY FEATURES**

- Greater flexibility in installation with spring loaded pin end
- Universal brackets
- Hooked clutches for easy and universal performance
- Easy chain attachment
- Compatible with Acmeda Line S40 & S45 Tubes

**FUNCTIONAL BENEFITS**

- Smooth operation
- Patented Velvetrol internal spring arrangement
- Guarded chain cover for minimal noise
- Limited Lifetime Warranty - long lasting durability achieved from fibre-glass filled nylon construction
- Intermediate bracket to achieve linked blinds – two Pin Ends share the common bracket
- Three double bracket styles; Universal, Vertical & Vertical Compact
- 5 Tube options; 38mm (1 1/2"), S40 STD, S45 LIGHT, STD & HD



**SYSTEM INDEX**

1. Clutch   SL15-Lite 28mm (1 1/4") SL15HO1x-L
2. Adaptor   Under 15lbs 38mm (1 1/2") SLA53x
3. Pin End   38mm (1 1/2") SLPEV653x
4. Bracket   Narrow 38p (1 1/2") & 50p (2") SLNB6#0x
5. Bracket Cover   Narrow 38p (1 1/2") & 50p (2") SLNBC6#0x
6. Tube   38mm (1 1/2") Rollease RTEA-4T05-000580
7a. Rollease Line Metal Chain   50-51BPF VA01-141x-xxx###
7b. Acmeda Line Plastic Chain   48-49BPF VA01-1406-xxx###

x = colour / finish  
# = size

**PRODUCT OPTIONS**

Acmeda Product Line S40 & S45  
Tube, Adaptor & Pin End |



Bracket | Intermediate  
Narrow & Standard |  
38p (1 1/2") & 50p (2")



**PRODUCT OPTIONS - BRACKETS**

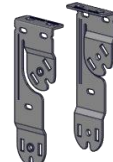
Bracket & Cover | Standard | 38p  
(1 1/2") & 50p (2")



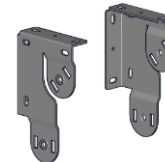
Bracket & Cover | Double  
Universal | 38mm



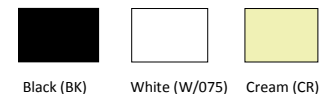
Bracket | Double Vertical



Bracket | Double V Slim

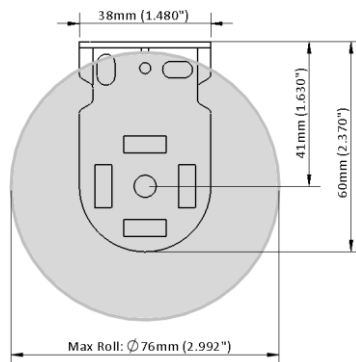


**COLOUR RANGE**

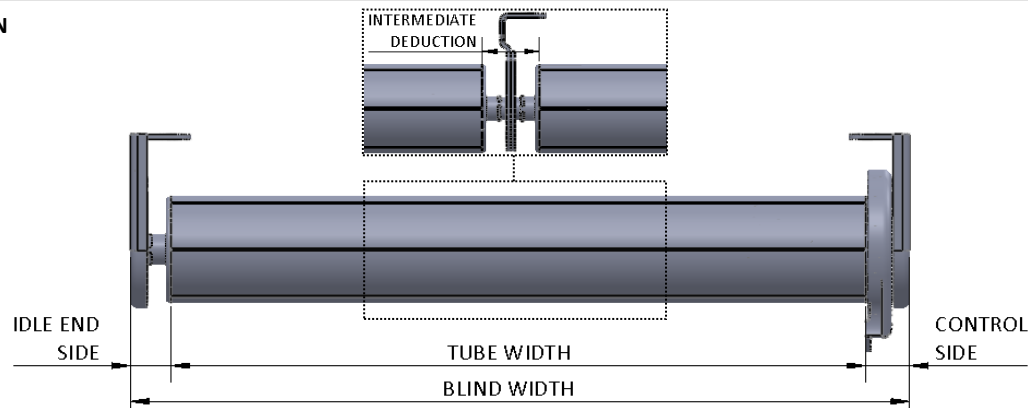


SPECIFICATIONS: SKYLINE MEDIUM CHAIN CONTROL | SL15-LITE | 38mm (1 1/2") SYSTEM

MAX ROLL



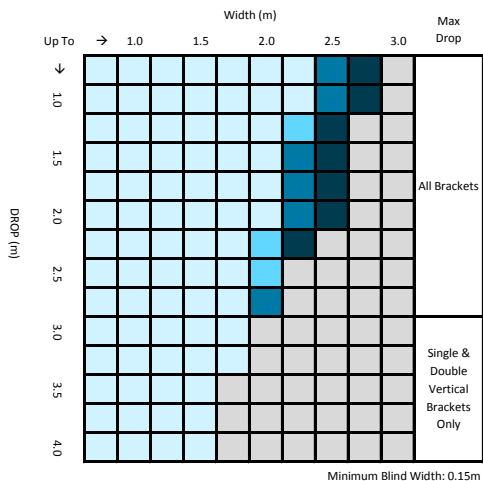
DEDUCTION



	IDLE END SIDE	CONTROL SIDE	OVERALL DEDUCTION
Bracket   Narrow / Standard   With Covers	12mm (0.472")	17mm (0.669")	28mm (1.102")
Bracket   Narrow / Standard   Without Covers	11mm (0.433")	15mm (0.591")	25mm (0.984")
Bracket   Intermediate Narrow / Standard	-	-	25mm (0.984")

SYSTEM CAPACITY

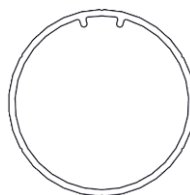
Based on Recommended User Effort



CONTROL	TUBE
SL15 - L	S45STD / S45LT / 38mm / S40
	S45STD / S45LT / 38mm
	S45STD / S45LT
	S45STD
OUTSIDE SPECIFICATION	

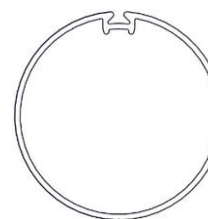
Chart based on 38mm Rollease Tube, 420gsm fabric weight, 0.6mm fabric thickness & D30 Bottom Rail.

TUBE SPECS



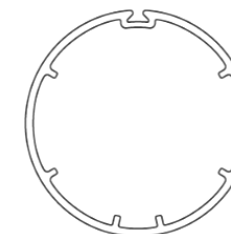
38mm (1-1/2") ROLLEASE Tube

CODE  
+ M/P Tape: RTEA-4T05-000580  
O.D: 38.6mm  
Length: 5.8m  
Maximum  
Hold Weight  
- SL15-Lite: 4.5kg



S40 STANDARD T-Spline Tube

CODE: RB93-0440-000580  
O.D: 39.4mm  
Length: 5.8m  
Maximum  
Hold Weight  
- SL15-Lite: 4.4kg



S45\* STANDARD T-Spline Tube

CODE: RB93-0444-000580  
+ M/P tape: RB93-6444-000580  
O.D: 44.2mm  
Length: 5.8m  
Maximum  
Hold Weight  
- SL15-Lite: 3.9kg

\* Refer to Catalogue for additional S45 Tube - RB93-x443-000580 Light  
Refer to Catalogue for corresponding Adaptors & Pin Ends for each Tube option