

S45 TO S60 ADAPTOR

FEATURES & BENEFITS

- Utilise S45 hardware with S60 tubes to improve shade performance up to 3.4m x 2.4m.
- S45 55mm pitch LX Brackets achieve a larger roll diameter with a slimmer aesthetic.
- Use with 3.6m lengths of S60 Taped tube to reduce wastage.



MOUNTING SOLUTIONS

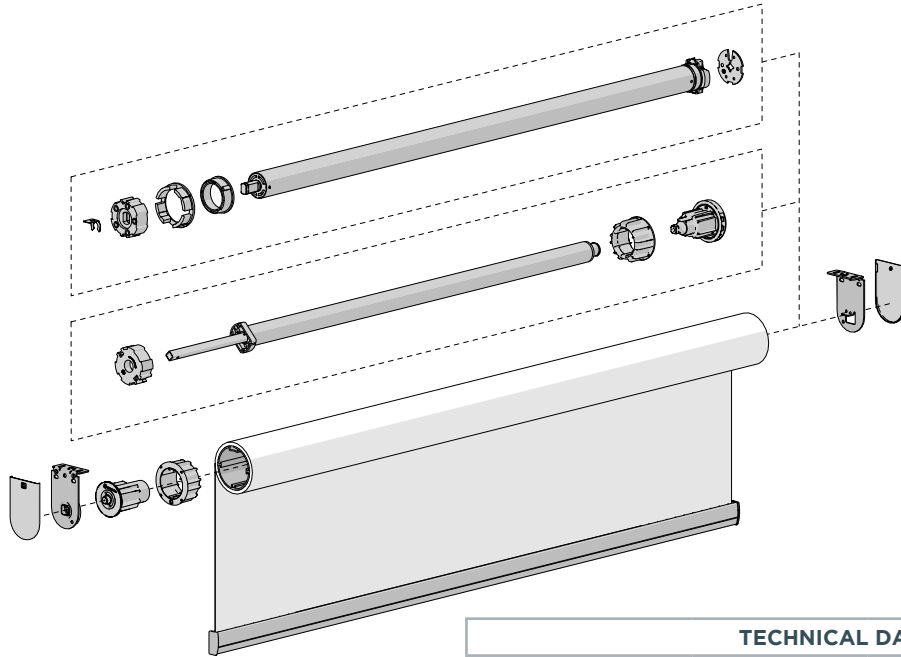


COLOUR RANGE

- black
- pure white
- sandstone
- barley
- silver grey

WEBPAGE LINK

SYSTEM UPGRADES



10 YEAR WARRANTY

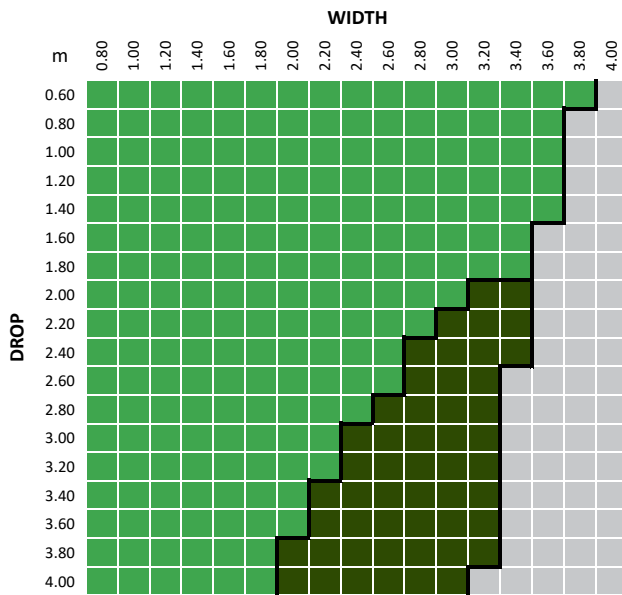
HARDWARE CONTROLS

BRACKETS

TUBES

BOTTOM RAILS

SYSTEM CAPACITY



BOOSTER

RECOMMENDED

REQUIRED

*OUTSIDE SPECIFICATIONS

PARAMETERS:

FABRIC DENSITY: 390gsm

FABRIC THICKNESS: 0.6mm

WEIGHT BAR: D30 Bottom Rail

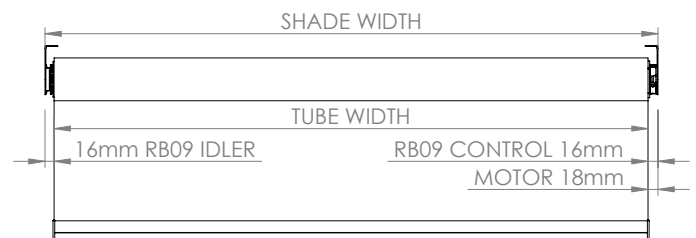
TUBE DEFLECTION: 1.05mm/m

TECHNICAL DATA

CONTROL OPTIONS	MINIMUM SHADE WIDTH (no covers)	TUBE DEDUCTIONS	
		NO BRACKET COVERS	WITH BRACKET COVERS
RB09 + HD BOOSTER	941mm	32mm	35mm
Li-ion 3.0Nm	943mm		
E6	674mm	34mm	36mm
M6	568mm		

TUBE WIDTH = SHADE WIDTH - [CONTROL + IDLER]

Minimum Shade Width based on 5mm gap between hardware in tube.



SINGLE BRACKETS	PITCH	WIDTH	HEIGHT	MAX ROLL
LX/LX M40	55mm	50mm	80mm	105mm

