

## OVERVIEW: RB10 LARGE CHAIN CONTROL S60

The RB10 Large Chain Control system is a quality solution for large roller blind applications that require the very best performance. The system features a robust design utilising bearings on both the chain control and idle end. The system gives you flexibility to use either a light, standard or heavy duty precision spring assist booster with a standard or heavy duty 60mm tube, ensuring an optimal lifting and operation user experience is maintained regardless of the final blind size. The RB10 has the ability to lift shades up to 25kgs and 30sqm, whilst maintaining an operating pull force under 3kgs.

## AESTHETIC FEATURES

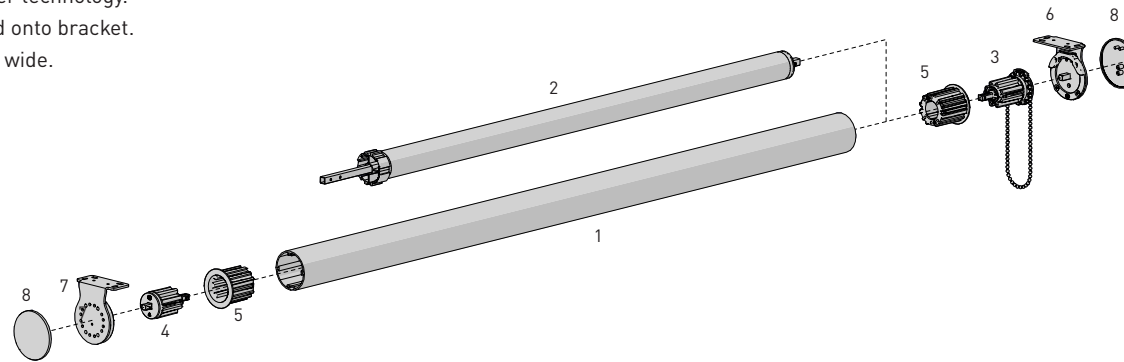
- Colour coded accessories including bracket covers.
- 15mm minimal light gaps (each end)

## ASSEMBLY / INSTALLATION BENEFITS

- Shade security ensured with Snap Lock spring loaded idle end.
- Seamless conversion from motorisation and manual control.
- Easy to use, safe installation.
- Secure shade bracket locking system.

## FUNCTIONAL BENEFITS

- Compatible with Uni-Link & Multi-Link Systems for curved and wider applications.
- Bearings in both chain control and idler end for a smooth operation.
- High precision spring assist booster technology.
- Chain securing guard incorporated onto bracket.
- Shades from 2 metres to 8 metres wide.
- Up to 25Kg capacity.
- 1:1 Rotation Ratio.



## SYSTEM INDEX

1	Aluminium Tube - S60 Std, HD RB91-02#0-000580
2	Retro-Fit Booster - Light, Std, HD RB10-6040-0500##
3	RB10 Winder Body - Universal RB10-6100-xxx001
4	RB10 Idler Head - Universal RB10-6200-xxx001
5	RB10 Tube Adapter RB10-6000-xxx0#0
6	RB10 Winder Bracket Kit - Universal RB10-6300-xxx001
7	RB10 Idler Bracket Kit - Universal RB10-6500-xxx001
8	Bracket Cover RB10-0101-xxx060

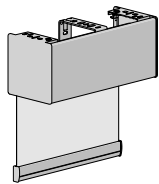
xxx= colour ## = size

## COLOUR RANGE

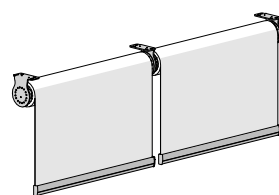
pure white  
069black  
050

## ADD ON SYSTEMS

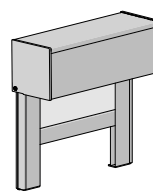
FRS120 VALANCE



MULTI-LINK™

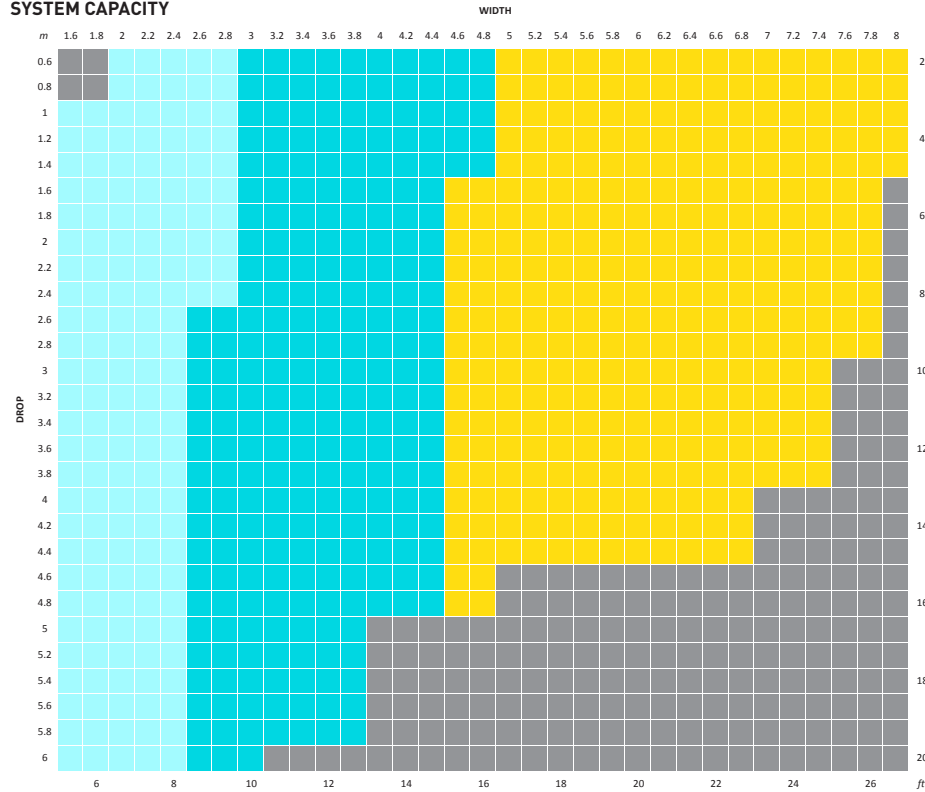


SQUARE BOX 120



**SPECIFICATIONS: RB10 LARGE CHAIN CONTROL S60**

**SYSTEM CAPACITY**



Minimum Blind Width: 1.2m / 47inches

CONTROL	LEGEND	DESCRIPTION	MULTI-LINK REQ.
RB10 + RETROFIT	<span style="background-color: cyan;">■</span>	S60 80HD / 60STD	
	<span style="background-color: yellow;">■</span>	S60   80HD	
	<span style="background-color: grey;">■</span>	OUTSIDE SPECIFICATIONS	

**Parameters**

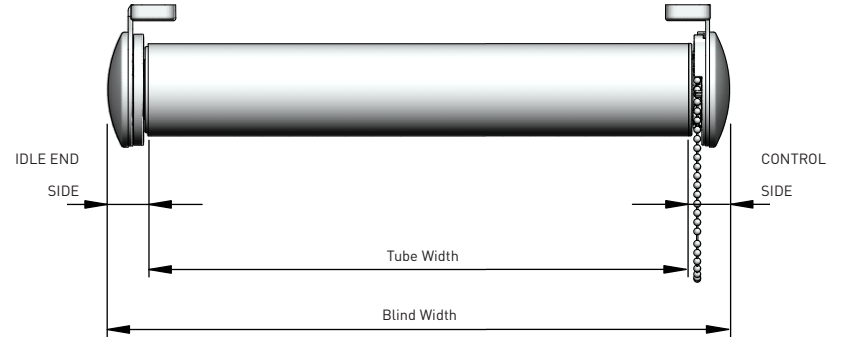
Fabric Density: 420gsm  
 Fabric Thickness: 0.6mm  
 Weight Bar: F4115 Flat Heavy Duty

**Maximum Hold Weights**

S60 60STD Tube: 23.4kg / 51.5 pounds  
 (RB10 + RETROFIT) TBC

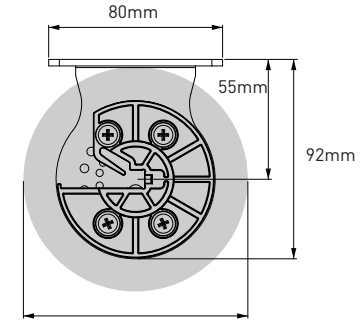
\*Refer to S60 UNI-LINK QRG for further details

**DEDUCTIONS**



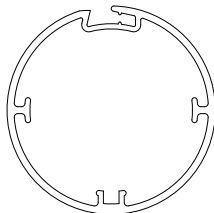
	IDLE END SIDE	CONTROL SIDE	OVERALL DEDUCTION
BEARING IDLER - with covers	26mm (1.02")	26mm (1.02")	52mm (2.04")
BEARING IDLER - withOUT covers	15mm (0.59")	15mm (0.59")	30mm (1.18")
PRE-TENSION IDLER - with covers	31mm (1.22")	26mm (1.02")	57mm (2.24")
PRE-TENSION IDLER - withOUT covers	20mm (0.78")	15mm (0.59")	35mm (1.37")

**MAX ROLL**



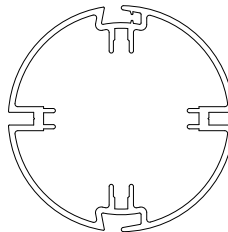
Maximum Roll Size: 105mm

**ALUMINIUM TUBES**



**S60 | 60 STANDARD Tube**

CODE: RB91-0260-000580  
 O.D.: 60mm  
 Length: 5.8metres



**S60 | 80 HEAVY DUTY Tube**

CODE: RB91-0280-000480 - 4.8m  
 RB91-0280-000580 - 5.8m  
 O.D.: 80mm  
 Length: 4.8 & 5.8metres