

OVERVIEW: SKYLINE LARGE CHAIN CONTROL | G400 GALAXY | 63mm (2 1/2") SYSTEM

The Skyline system is the flagship of the Rollease product line. The Skyline Large G400 Galaxy Chain Control offers a sleek rounded chain guard profiles which is ideal for both residential & commercial applications whilst featuring Velvetrol Technology and our limited lifetime warranty. The premium Skyline G400 Galaxy Clutch builds on the Rollease flagship line by featuring an advanced geared patented technology. The planetary gearing mechanism enhances the lifting capacity by up to three times all whilst retaining minimal user effort.

AESTHETICAL FEATURES

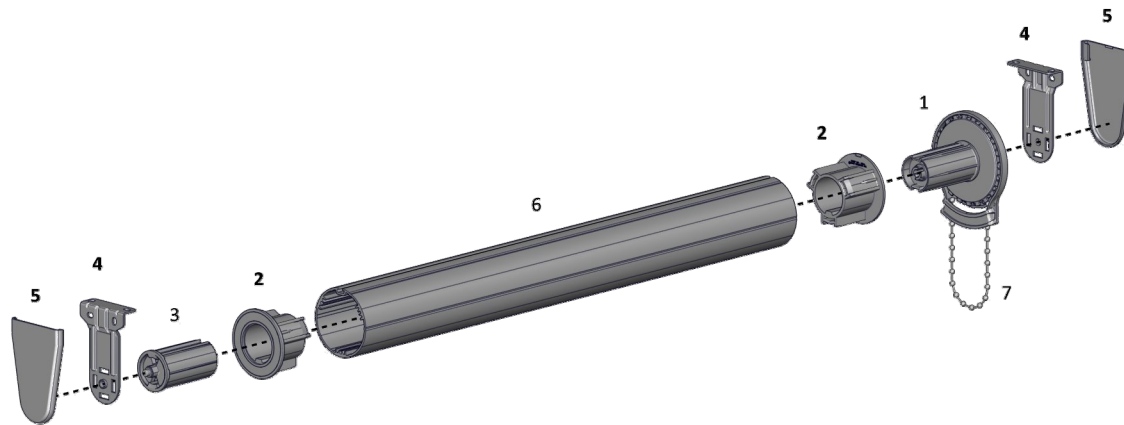
- Sleek, rounded chain guard design
- Reduced light gaps
- Bracket Covers, colour coded

PRODUCTION / ASSEMBLY FEATURES

- Greater flexibility in installation with spring loaded pin end
- Universal brackets
- Hooked clutches for easy and universal performance
- Easy chain attachment

FUNCTIONAL BENEFITS

- Smooth operation
- Patented Velvetrol internal spring arrangement
- Guarded chain cover for minimal noise
- Limited Lifetime Warranty – long lasting durability achieved from fibre-glass filled nylon construction
- Gearing ratio 1.7:1
- Ideal for large applications with minimal user effort
- A cost-effective alternative to Spring Assist shades



SYSTEM INDEX

1. Clutch G400 Galaxy 38mm (1 1/2") RGAL400Hx
2. Adaptor Over 15lbs 63mm (2 1/2") RA25x
3. Pin End Heavy Duty 38mm (1 1/2") SLPEHD53x
4. Bracket Standard 73p (2 7/8") SLB690Rx
5. Bracket Cover Standard 73p (2 7/8") SLBC690x
6. Tube 63mm (2 1/2") Rollease RTEA-6T05-000580
7a. Rollease Line Metal Chain 50-51BPF VA01-141x-xxx###
7b. Acmeda Line Plastic Chain 48-49BPF VA01-1406-xxx###

x = colour / finish
= size

COLOUR RANGE



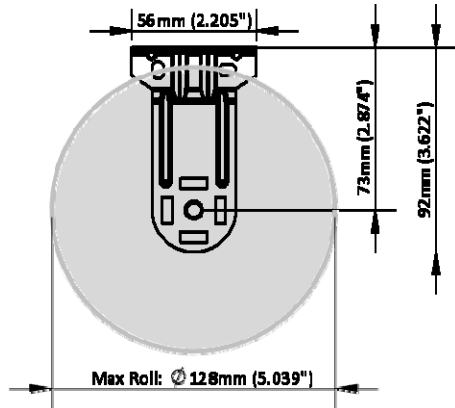
Black (BK)



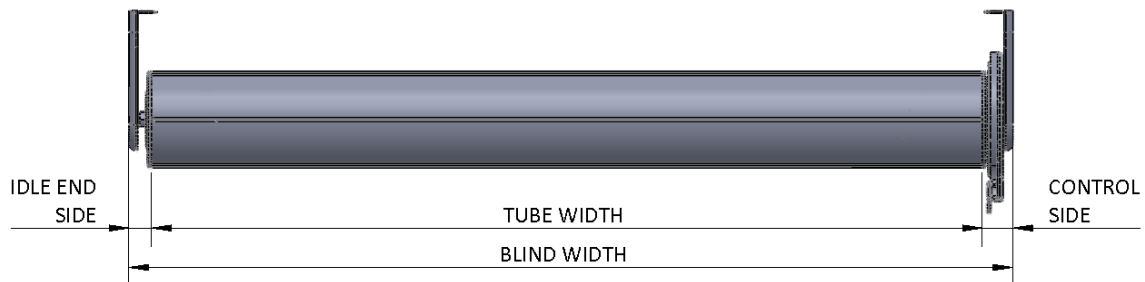
White (W/075)

SPECIFICATIONS: SKYLINE LARGE CHAIN CONTROL | G400 GALAXY | 63mm (2 1/2") SYSTEM

MAX ROLL



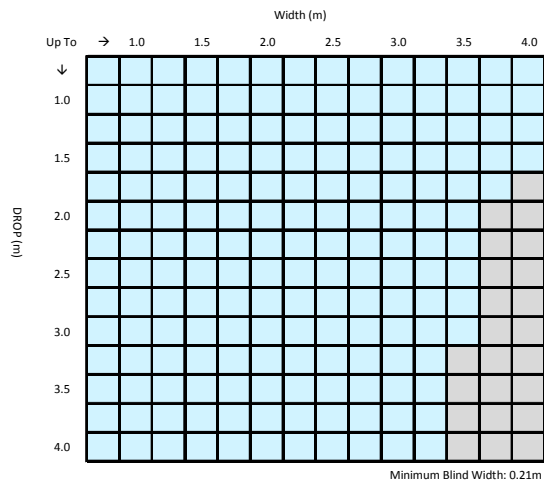
DEDUCTION



	IDLE END SIDE	CONTROL SIDE	OVERALL DEDUCTION
Standard Bracket – with covers	13mm (0.512")	19mm (0.7485")	32mm (1.260")
Standard Bracket – without covers	11mm (0.394")	15mm (0.591")	29mm (1.142")

SYSTEM CAPACITY

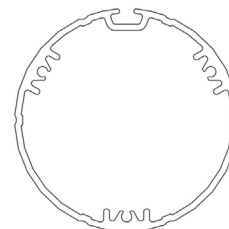
Based on Recommended User Effort



CONTROL	TUBE
G400	63mm
	OUTSIDE SPECIFICATION

Chart based on 420gsm fabric weight, 0.6mm fabric thickness & D30 Bottom Rail.

TUBE SPECS



63mm (2-1/2") ROLLEASE

Tube

CODE

+ M/P Tape: RTEA-6T05-000580

O.D: 38.6mm

Length: 5.8m

Maximum Hold

Weight

- G400: 14.1kg