

## z-LOCK CASSETTE ROLLERS

Acmeda's advanced z-LOCK roller blind system offers a contemporary aesthetically pleasing enclosed window covering solution. Boasting a unique zip locking function, hidden within side channels z-LOCK can achieve complete blackout when used with appropriate fabrics. This technology also delivers an energy efficient solution, trapping unwanted heat from entering the room.

### AESTHETICAL FEATURES

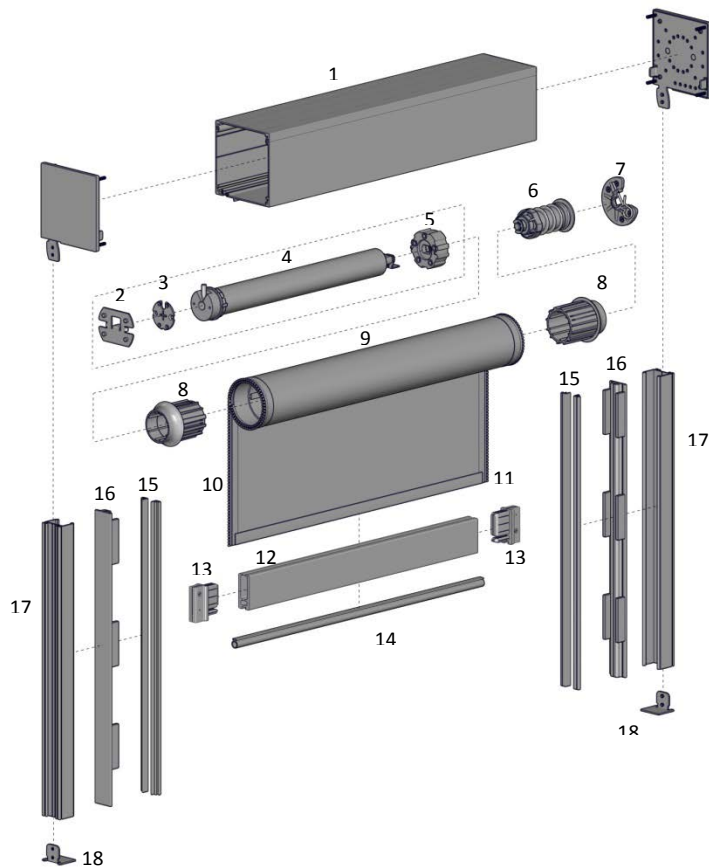
- Contemporary architectural design.
- Custom colour matching achievable.

### PRODUCTION / ASSEMBLY FEATURES

- Removable front and back covers for ease of maintenance and assembly.
- Zip reducers designed to accommodate zip to prevent fabric ripples.

### FUNCTIONAL BENEFITS

- Further enhances energy conservation compared to a standard roller blind.
- Box sizes include 85, 100 & 120 to accommodate a range of sizes.
- Compatible with manual or motorised control.
- Versatile system achieving horizontal, vertical and angled applications.



## SYSTEM INDEX

1.	Box 85 / 100 / 120 Top, Back, Covers, End Plates & End Plate Covers.
2.	M40 Motor Adaptor set · S45 SB11-0701-025405
3.	M40 Universal Motor Disc Adaptor · S45 RB40-0402-xxx400
4.	AUTOMATE   S45 - EL Motor RB24-4501-069002
5.	M50 Drive Wheel · S60 RB56-0105-050502
6.	z-LOCK Extended Bearing Idler · S45 SB11-0812-xxx045
7.	z-LOCK Bearing Idler Adaptor SB11-0810-050045
8.	S45 ZIP Tube Reducer - SHORT SB11-0813-xxx160
9.	S60   60STD Aluminium Tube RB91-0260-xxxLLL
10.	ZIP   No. 4 GAUGE SH91-0106-050400
11.	15mm Flat Spline RB92-1501-001100
12.	FZ47 Weight Bar SB06-1301-xxx580
13.	FZ47 Weight Bar End Caps SB06-1310-xxx000
14.	Bubble Seal Strip SB91-0001-xxxLLL
15.	z-LOCK Compact Side Guide SB04-1301-xxxLLL
16.	z-LOCK Inner Rail SB05-0333-050580
17.	z-LOCK Side Guide - F Rail Cover SB05-0341-xxxLLL
18.	z-LOCK Compact Side Guide Steel Bottom Cap SB05-1301-xxx001

xxx = colour      ### = size      LLL = length

### CONTROL OPTIONS

#### CHAIN



#### CRANK



#### MOTOR

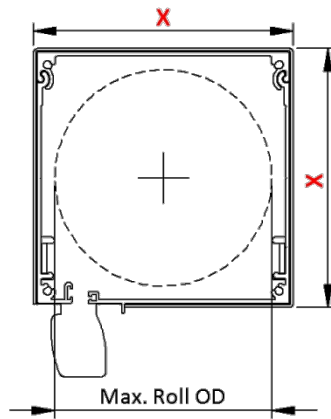


### COLOUR RANGE



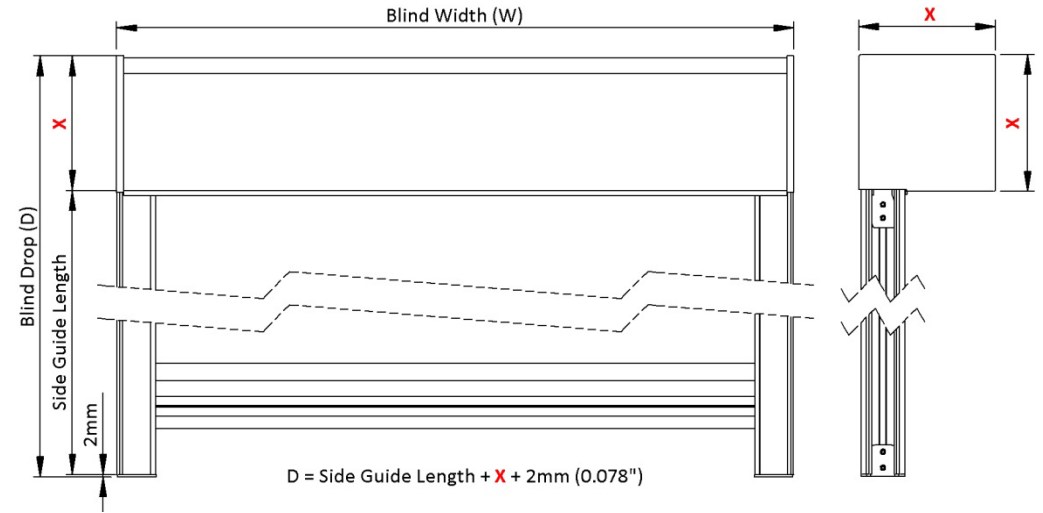
**SPECIFICATIONS**

**MAX ROLL**

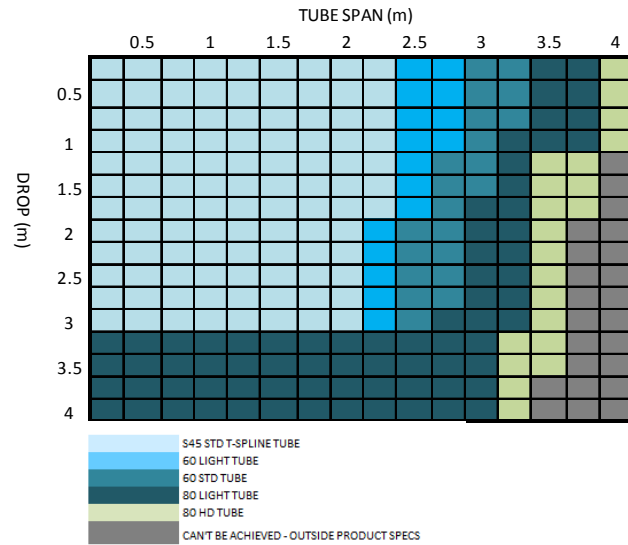


Box	X	Max. Roll OD	Max. Drop
85mm	88mm	72mm	1200mm
100mm	103mm	86mm	3000mm
120mm	123mm	107mm	4000mm

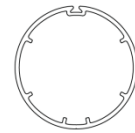
**DEDUCTION**



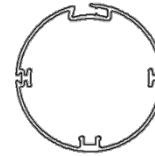
**SYSTEM CAPACITY**



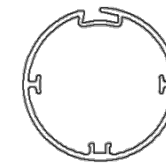
**TUBE SPECS**



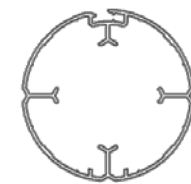
**S45|45 STD Tube**  
Code: RB93-0444-000580  
OD: 44mm  
Length: 5.8m



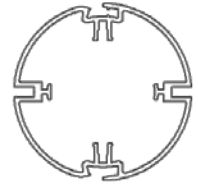
**S60|60 LIGHT Tube**  
Code: RB93-0261-000580  
OD: 58.4mm  
Length: 5.8m



**S60|60STD Tube**  
Code: RB91-0260-000580  
OD: 60mm  
Length: 5.8m



**S60|80 LIGHT Tube**  
Code: RB93-0282-000580  
OD: 80mm  
Length: 5.8m



**S60|80HD Tube**  
Code: RB91-0280-000x80  
OD: 80mm  
Length: 4.8m & 5.8m