

PELMET 95

FEATURES & BENEFITS

- Spring loaded mounting brackets in Universal or Top/Face configurations.
- Colour coded end caps for optimised aesthetics.
- Fabric wrapping is optional.
- Zebra shade is optional.
- Screw feature to ensure secure hold of roller shade brackets to P95 extrusion.



MOUNTING SOLUTIONS

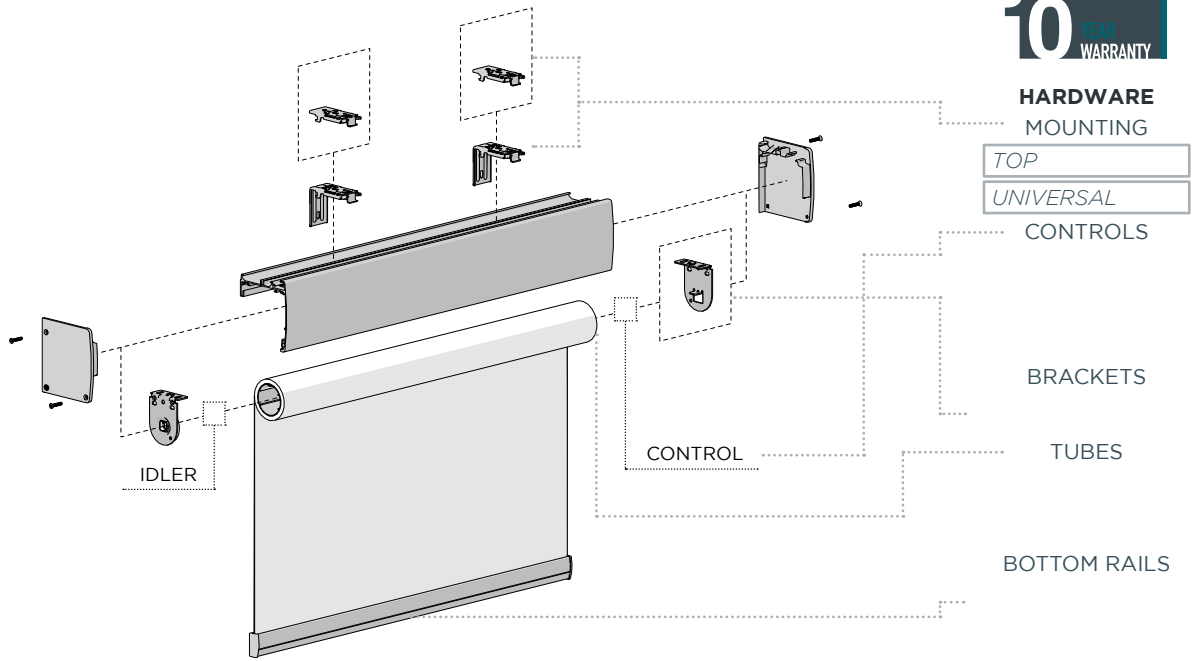


COLOUR RANGE

- black
- pure white
- sandstone
- silver grey

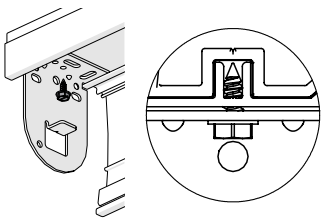
WEBPAGE LINK

SYSTEM UPGRADES



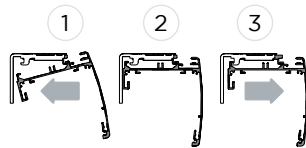
SYSTEM FEATURES

Assembly Screw



Locks brackets in place.

Ease of Installation



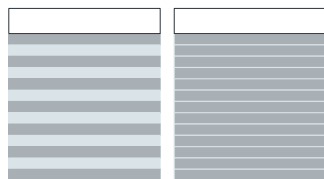
Universal OR Top Fix.
Simple push, align and release.

Fabric Wrap



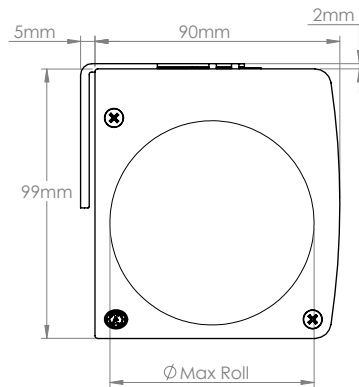
Match the pelmet extrusion to fabric.

Zebra Shade



Compatible with Zebra fabric.

TECHNICAL DATA



FABRIC HANGING	MAX ROLL
FRONT	65mm
BACK	75mm

