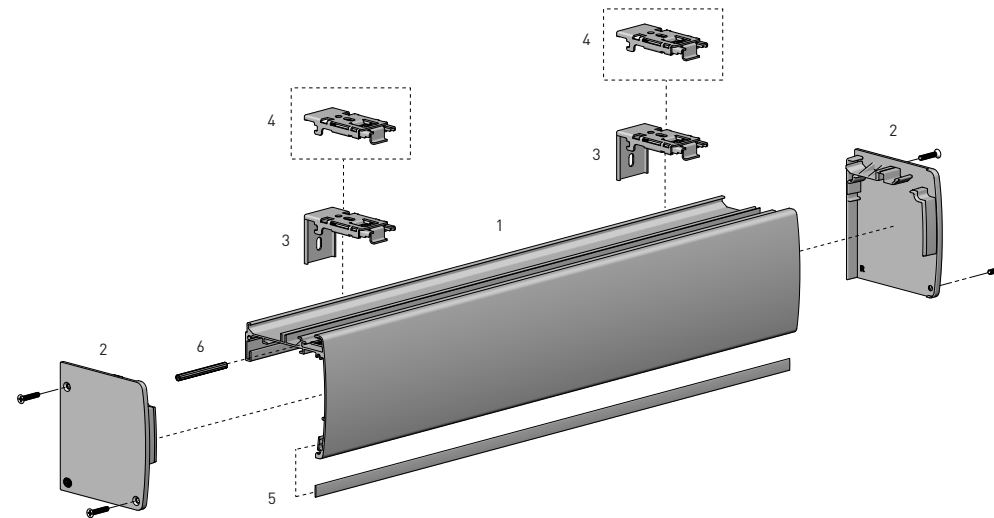


## OVERVIEW: PELMET 95 SYSTEM

The Pelmet 95 system is a decorative one piece cover providing an elegant finish, compatible with Acmeda Roller shade hardware systems.

## FEATURES/BENEFITS

- Spring Loaded Installation Brackets; for both top & face fixing.
- One piece design, featuring VX bracket mounting allocation.
- Colour coded end caps.
- Fabric cover option with spline function.
- Compatible with Acmeda's range of roller hardware systems.

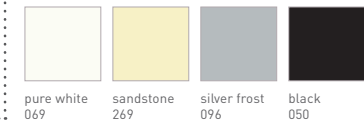


## SYSTEM INDEX

1	PELMET 95 - Base 50 RB88-0150-xxx480
2	PELMET 95 - End Cap Set + Fixing Screws RB88-0101-xxx001
3	PELMET 95 - Spring Loaded Bracket - Top/Ceiling Fix RB88-0121-025001
4	PELMET 95 - Spring Loaded Bracket - Universal Fix RB88-0122-025001
5	9mm Flat Spline RB92-0901-001100
6	Ribbed Spline SS91-5246-050500

xxx = colour

## COLOUR RANGE



## COMPATIBLE SYSTEMS

Chain Control S40 / S45



Crank Gear S45



Motorised S45

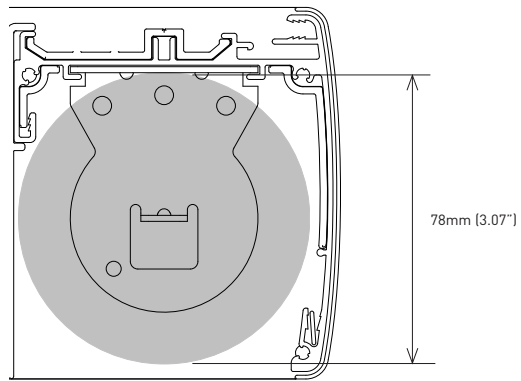


Spring Booster S40 / S45

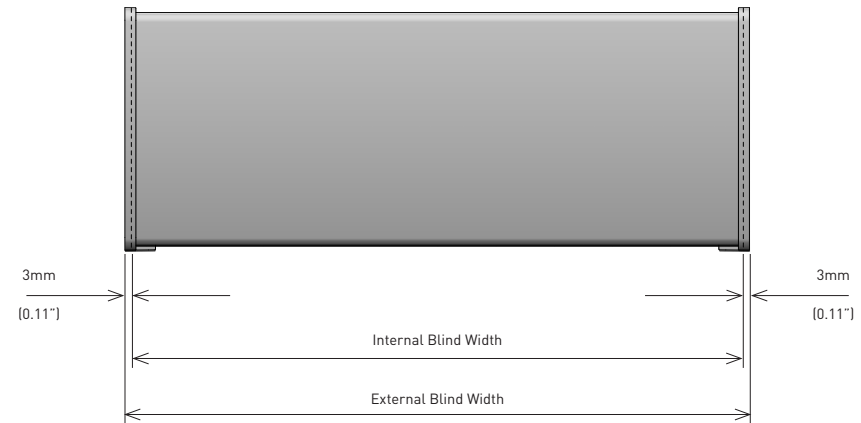


## SPECIFICATIONS: PELMET 95 SYSTEM

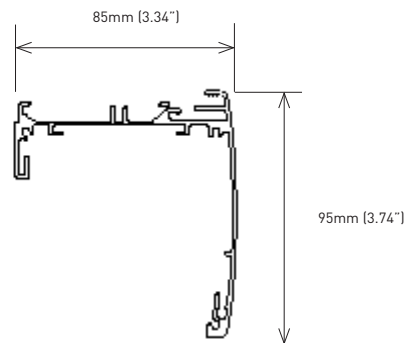
## MAX ROLL



## DEDUCTIONS



## DIMENSIONS



## PELMET 95 WITH FABRIC ATTACHED

