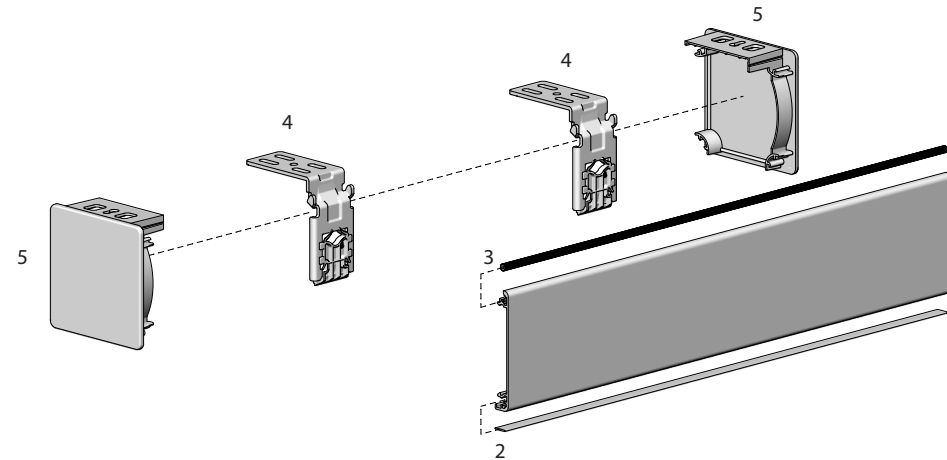


OVERVIEW: FRS80 VALANCE SYSTEM

The FRS valance system is a decorative cover compatible with Acmeda™ Roller shade hardware systems. The system is multifunctional in both mounting and finished appearance.

FEATURES / BENEFITS

- Universal mounting due to symmetrical design.
- Snap-lock attachment of Valance with screw fastening option.
- Fabric cover option with spline function.
- Recess application can be free of end caps with Snap Lock Centre Support Brackets.
- Colour coded valance and end caps.

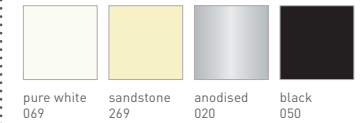


SYSTEM INDEX

1	FRS80 Valance with screw option RB88-0811-xxx480
2	9mm Flat Spline RB92-0901-001100
3	Ribbed Round Spline SS91-5246-050500
4	FRS80 Snap Lock Centre Support Bracket RB88-0851-025080
5	FRS80 Valance End Caps RB88-0821-xxx080

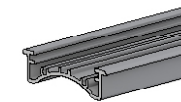
xxx = colour

COLOUR RANGE



SYSTEM OPTIONS

MOUNTING RAIL



COMPATIBLE SYSTEMS

CHAIN CONTROL SYSTEM



MOTORISED SYSTEM



CRANK GEAR SYSTEM



SPRING SYSTEM

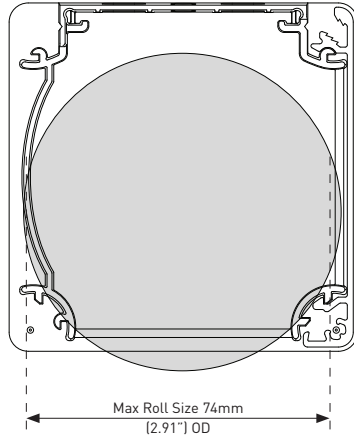


EASY-LINK SYSTEM

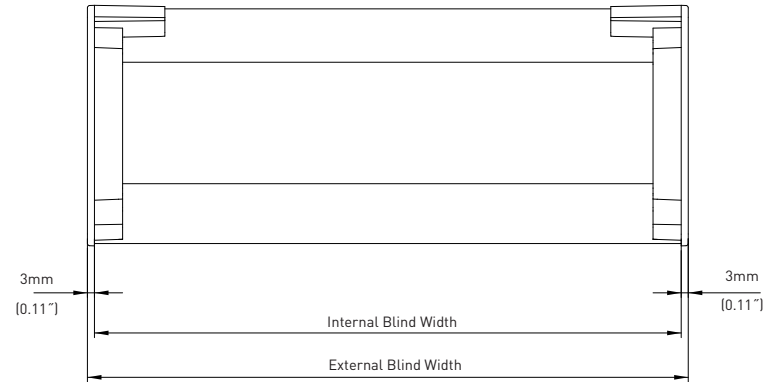


SPECIFICATIONS: FRS80 VALANCE SYSTEM

MAX ROLL



DEDUCTIONS



VALANCE WITH FABRIC

