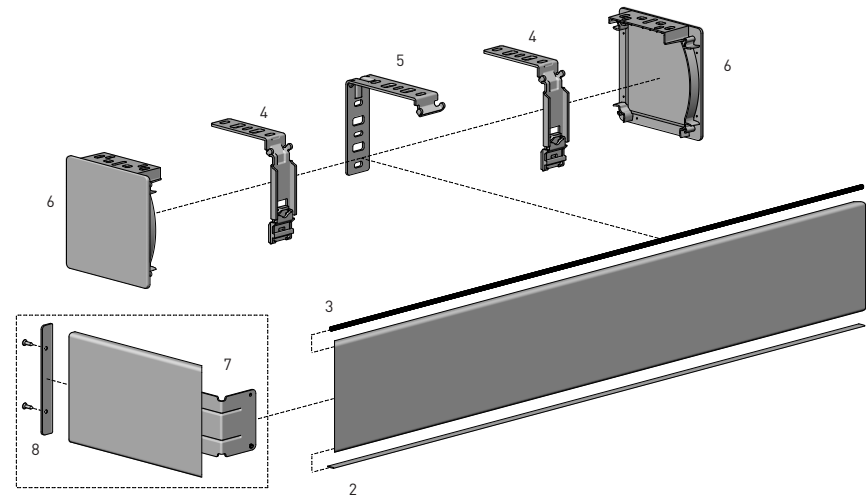


OVERVIEW: FRS120 VALANCE SYSTEM

The FRS120 Valance system is a decorative cover intended for larger applications, compatible with Acmeda's Heavy Duty Roller shade hardware systems.

FEATURES / BENEFITS

- Multifunctional mounting and finished appearance.
- Colour coded end side covers.
- Universal mounting due to symmetrical design.
- Snap-Lock attachment of valance with screw fastening option.
- Fabric Cover option with spline function.



SYSTEM INDEX

1	FRS120 Valance with screw option RB88-1211-xxx480
2	9mm Flat Spline RB92-0901-001100
3	Ribbed Round Spline SS91-5246-050500
4	FRS120 Snap Lock Centre Support Bracket RB88-1251-025120
5	FRS120 Centre Support Bracket RB88-1261-025120
6	FRS120 Valance End Caps RB88-1221-xxx120
7	FRS120 Corner Bracket Set + Grub Screws RB88-2121-025120
8	FRS120 End Plate Set + Screws RB88-2122-025120

xxx = colour

COLOUR RANGE

pure white
069sandstone
269anodised
020black
050

ADD ON SYSTEMS

CHAIN CONTROL SYSTEM



MOTORISED SYSTEM



CRANK GEAR SYSTEM

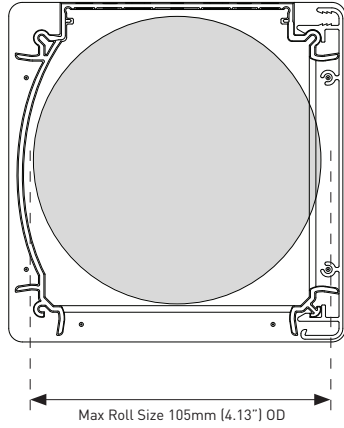


MULTI-LINK SYSTEM

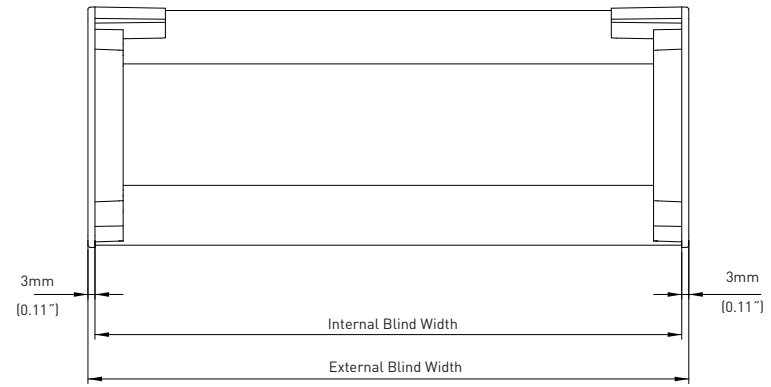


SPECIFICATIONS: FRS120 VALANCE SYSTEM

MAX ROLL



DEDUCTIONS



VALANCE WITH FABRIC

