

FRS VALANCE

FEATURES & BENEFITS

- Decorative cover.
- Available in 100mm & 120mm extrusions.
- Universal mounting.
- Snap-lock attachment of Valance.
- Recess application free of end caps.



MOUNTING SOLUTIONS

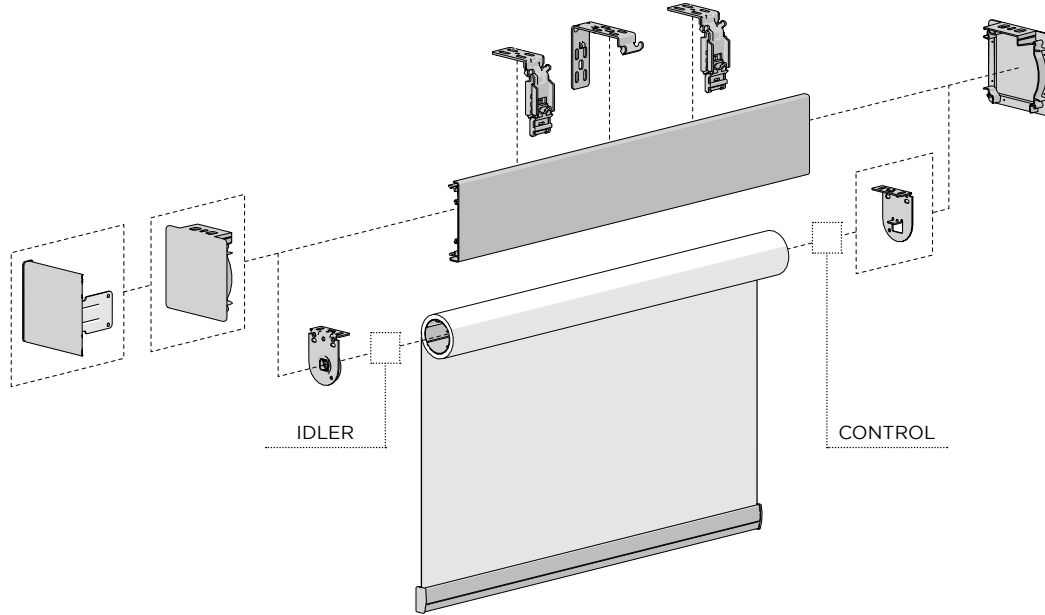


COLOUR RANGE

- black
- pure white
- sandstone
- silver grey

WEBPAGE LINK

SYSTEM UPGRADES



10 YEAR WARRANTY

HARDWARE MOUNTING
 SNAP LOCK
 FRS VALANCE
 FRS 100
 FRS 120
 CONTROLS

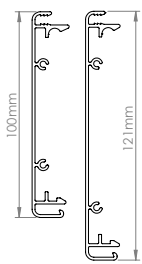
BRACKETS

TUBES

BOTTOM RAILS

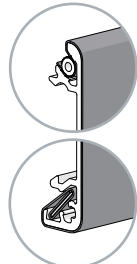
KEY SYSTEM FEATURES

EXTRUSION OPTIONS



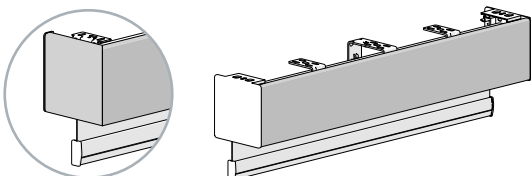
100 & 120

FABRIC WRAP



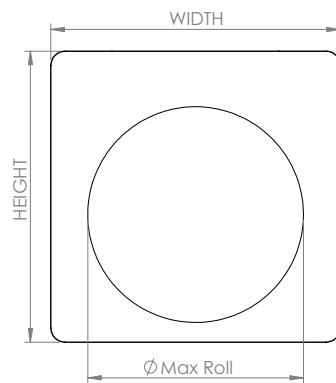
Round & Flat Spline

FRS CORNER RETURN



The FRS extrusion can be used as end caps for a uniform look.

TECHNICAL DATA



FRS	WIDTH	HEIGHT	MAX ROLL
100	102mm	103mm	76mm
120	123mm	124mm	92mm

