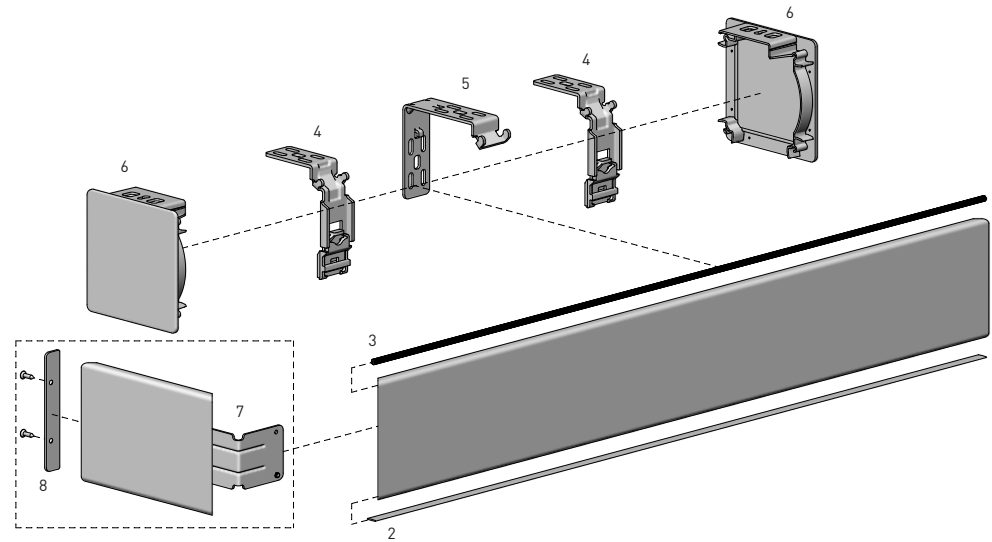


OVERVIEW: FRS100 VALANCE SYSTEM

The FRS valance system is a decorative cover compatible with Acmeda™ Roller shade hardware systems. The system is multifunctional in both mounting and finished appearance.

FEATURES / BENEFITS

- Centre Support Installation Brackets.
- Snap-lock attachment of Valance with screw fastening option.
- Fabric cover option with spline function.
- Recess application can be free of end cap with Snap Lock Centre Support Brackets.
- Fascia Return option.



COLOUR RANGE



pure white 069 sandstone 269 anodised 020 black 050

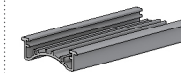
SYSTEM INDEX

1	FRS100 Valance with screw option RB88-1011-xxx480
2	9mm Flat Spline RB92-0901-001100
3	Ribbed Round Spline SS91-5246-050500
4	FRS100 Snap Lock Centre Support Bracket RB88-1051-025100
5	FRS100 Centre Support Bracket RB88-1061-025100
6	FRS100 Valance End Caps RB88-1021-xxx100
7	FRS100 Corner Bracket Set + Grub Screws RB88-2101-025100
8	FRS100 End Plate Set + Screws RB88-2102-025100

xxx = colour

SYSTEM OPTIONS

MOUNTING RAIL



ADD ON SYSTEMS

CHAIN CONTROL SYSTEM



MOTORISED SYSTEM



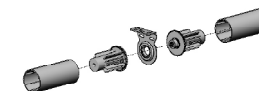
CRANK GEAR SYSTEM



SPRING SYSTEM

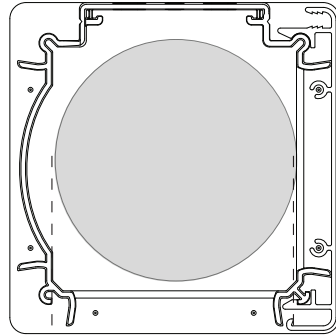


EASY-LINK SYSTEM



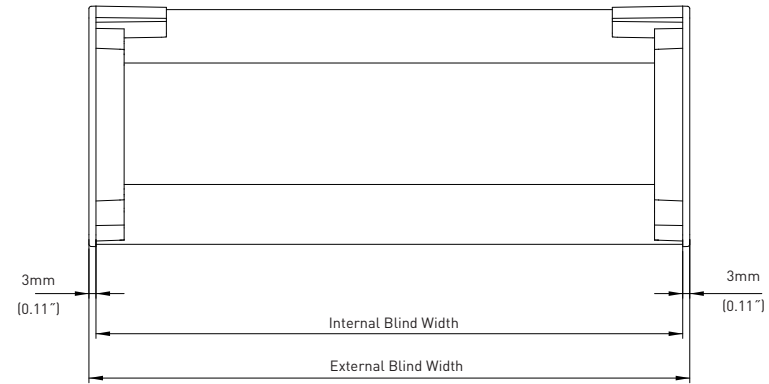
SPECIFICATIONS: FRS100 VALANCE SYSTEM

MAX ROLL



Max Roll Size 76mm
(2.99" OD)

DEDUCTIONS



VALANCE WITH FABRIC

