

**CF90 BOTTOM UP**

The Rollease Acmeda CF90 Bottom up is an innovative system, perfect for ground floor home or office applications where privacy and light harvesting are required. CF90 Bottom Up shades let the light in from the top of the window while shading the bottom section for privacy. An innovative cord adjusting system ensures a self-levelling hem bar.

**AESTHETICAL FEATURES**

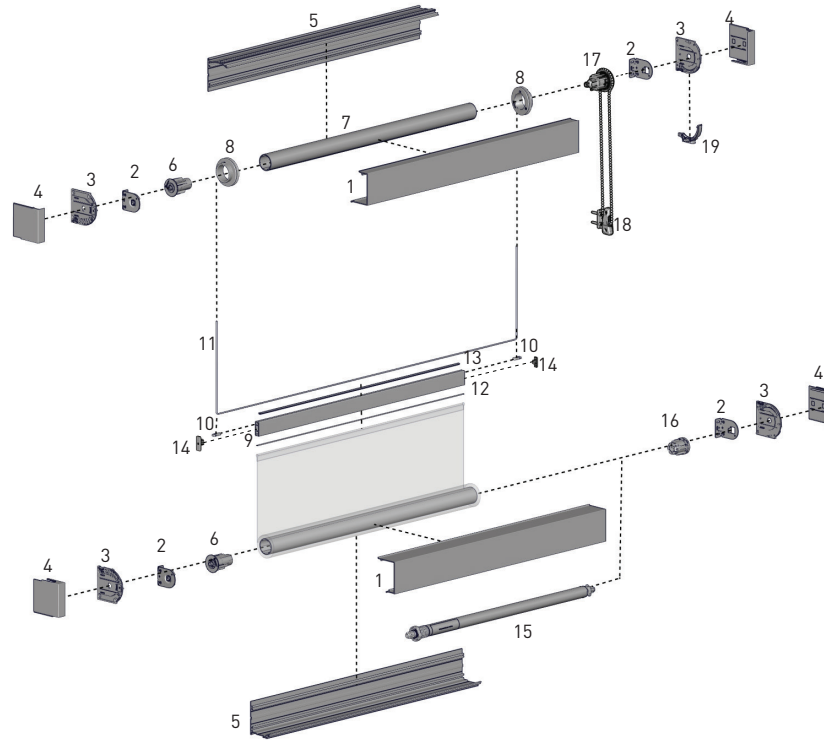
- The location of the cords can be adjusted to minimize the hem bar deflection or to find aesthetically pleasing appearances

**PRODUCTION & ASSEMBLY FEATURES**

- The design of the cord guides and the hem bar makes production easy and fast
- The cord guides make it easy to adjust the location of the cords in the hem bar

**FUNCTIONAL BENEFITS**

- Innovative cord adjusting system that ensures a self-levelling hem bar



**SYSTEM INDEX**

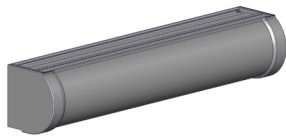
1 CASSETTE 90 SQUARE COVER RC01-0103-xxxLLL	11 BRAIDED CORD 1.4MM AC01-1416-062LLL
2 EASY-LOCK LX BRACKET FOR IDLER DOME (RB09) RB09-0352-069040	12 FLAT SPLINE RB92-0903-001075
3 CASSETTE 90 END PLATE SET RC02-0101-xxx090	13 BOTTOM UP RAIL SEAL SB91-0007-001LLL
4 CASSETTE 90 SQUARE END CAP SET RC02-0103-xxx090	14 BOTTOM UP RAIL END CAP RB91-2139-xxx000
5 CASSETTE 90 BACK RC01-0101-xxxLLL	15 BOOSTER UNIVERSAL - S45 - NO STOP RB12-4521-069145 - LIGHT
6 EASY-LOCK EXTENDED IDLER - S45 RB09-0245-xxx001	16 CHAINFREE CONTROL - S45 RB12-3200-069045
7 S45 TUBE   STD RB93-0444-xxx	17 EASY-LOCK CHAIN WINDER RB09-4502-xxx000
8 S45 SPOOL KIT SS48-1043-066060	18 CHAINHOLD TENSION DEVICE Refer catalogue for options.
9 BOTTOM UP RAIL RB91-1239-xxxLLL	19 CHAIN GUIDE SET RC02-0202-001090
10 BOTTOM UP CORD GUIDE KIT RB91-2239-xxx001	xxx = COLOUR, LLL = LENGTH

**SYSTEM OPTIONS**

EASY-LIFT RETROFIT BOOSTER | S45



CF90 ROUND



CASSETTE dim-OUT | SIDE GUIDE



**CONTROL OPTIONS**

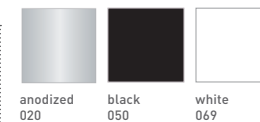
CHAIN CONTROL



MOTORIZED



**COLOUR RANGE**



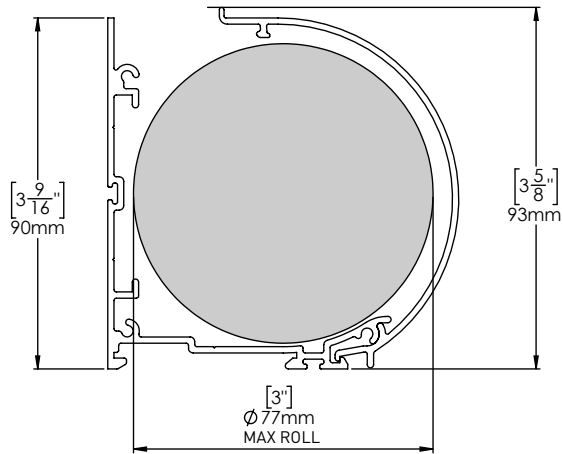
anodized  
020

black  
050

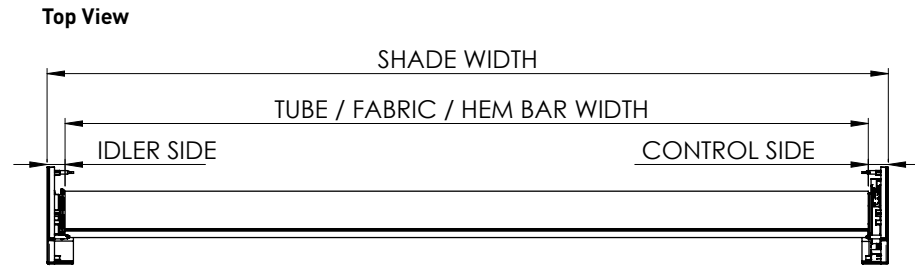
white  
069

**SPECIFICATIONS**

**MAX ROLL**

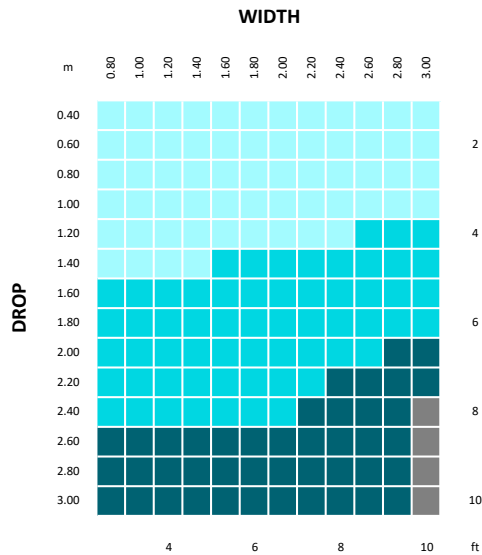


**DEDUCTION**



PIN END	CONTROL SIDE	TOTAL DEDUCTION
18mm [11/16"]	19mm [3/4"]	37mm [1 7/16"]

**SYSTEM CAPACITY**



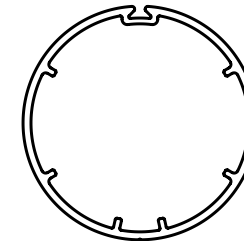
Minimum Blind Width: 670mm / 26.4inches  
 STD Easy-Lift Retrofit Booster: 830mm / 32.7inches  
 AUTOMATE | Li-ion 1.1Nm: 700mm / 27.6inches  
 AUTOMATE | Li-ion Q2.0Nm: 770mm / 30.3inches  
 AUTOMATE | E6: 735mm / 28.9inches

LEGEND	DESCRIPTION
Light Blue	RB09 CHAIN CONTROL*
Medium Blue	AUTOMATE   LI-ION Q2.0NM
Dark Blue	AUTOMATE   E6
Grey	CANNOT BE ACHIEVED OUTSIDE PRODUCT SPECIFICATIONS

\*Some blind sizes will require Retrofit boosters

**Parameters:**  
 Fabric Density: 420gsm / 12.4oz/yd<sup>2</sup>  
 Fabric Thickness: 0.5mm / 0.02inches  
 Weight Bar: Bottom Up Rail

**TUBE SPECS**



**S45 STANDARD T-Spline Tube**

CODE: RB93-0444-000LLL  
 RB93-6444-000LLL (with D/S tape)  
 OD: 44mm [1 3/4"]  
 Length: 5.8m [19ft]