

**CF90 CASSETTE/FASCIA | AU**

Rollease Acmeda's CF90 Cassette/Fascia add on solution suite offers a comprehensive range of head box styles, controls and side channel options with improved performance functionality and aesthetics. A contemporary round or square headbox, available in fully enclosed or partial fascia, designed to house the S40/S45 Roller Shade chainwinders & motorized control systems. Utilizing versatile hardware, the new cassette suite can be matched with CF90 dim-OUT side channels for improved energy efficiency.

**AESTHETICAL FEATURES**

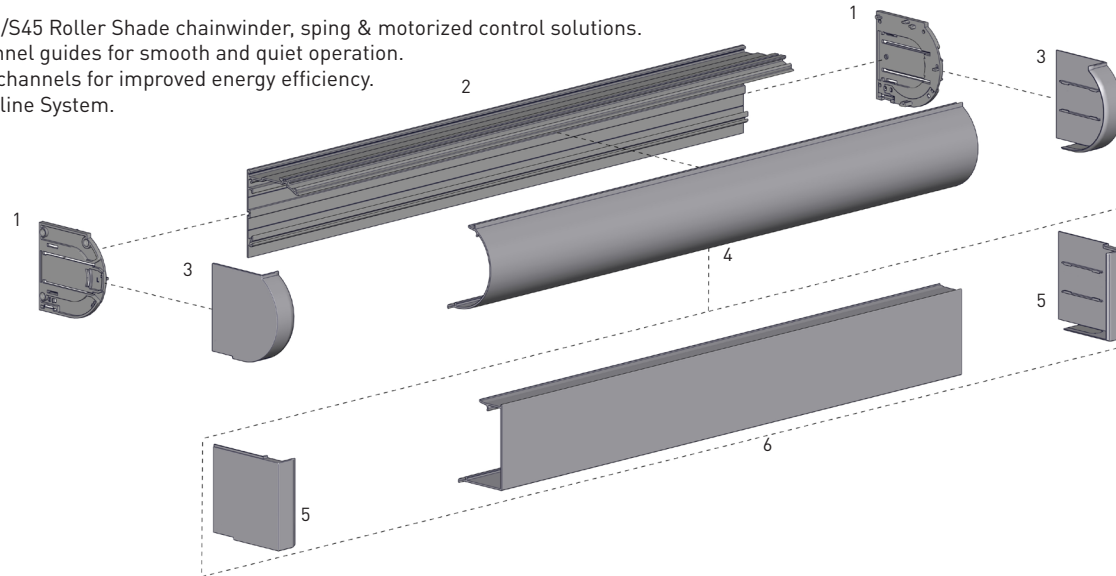
- Clean lines and complimentary aesthetics for various applications in round or square finish.
- Both styles available as a fascia or fully enclosed cassette.
- Wall and Ceiling mounting clip options available for installations with minimized light gap.
- End covers designed to overlap cassette front to conceal production blemishes.
- Color matched plastic end covers.

**PRODUCTION & ASSEMBLY FEATURES**

- Suite utilizes versatile hardware for reduced inventory.
- 2-piece CF90 dim-OUT side channels for improved face/wall and recess/inside mount installation.
- Extrusions available in mill for custom powder coating.

**FUNCTIONAL BENEFITS**

- Compatible with S40/S45 Roller Shade chainwinder, sping & motorized control solutions.
- Co-molded chain funnel guides for smooth and quiet operation.
- CF90 dim-OUT side channels for improved energy efficiency.
- Compatible with Skyline System.

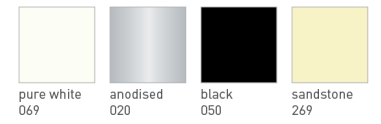


**SYSTEM INDEX**

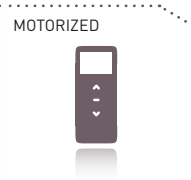
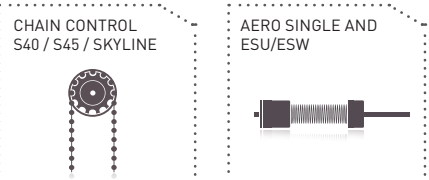
1	Cassette 90 End Plate Set
	RC02-0101-xxx090
2	Cassette 90 Back
	RC01-0101-xxx480
3	Cassette 90 Round Cover Set
	RC02-0102-xxx090
4	Cassette 90 Round Cover
	RC01-0102-xxx480
5	Cassette 90 Square Cover Set
	RC02-0103-xxx090
6	Cassette 90 Square Cover
	RC01-0103-xxx480

xxx= colour

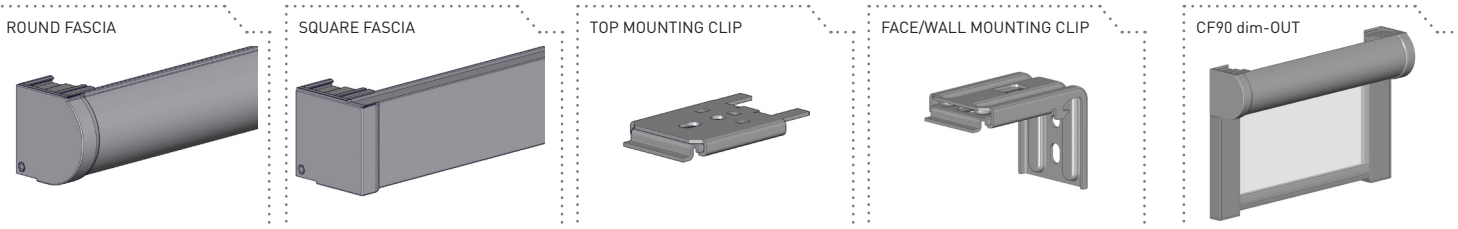
**COLOR RANGE**



**CONTROL OPTIONS**



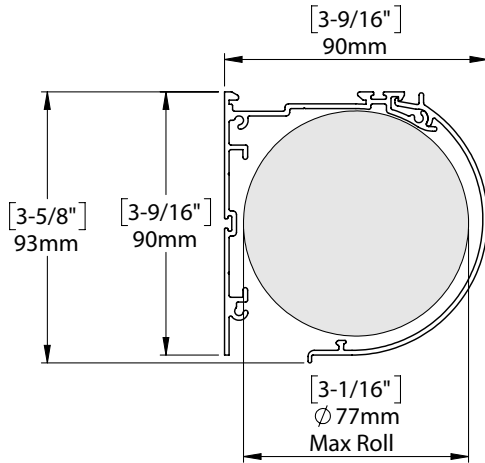
**SYSTEM OPTIONS**



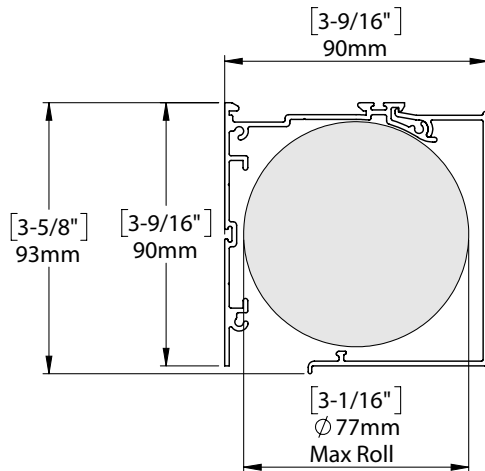
**SYSTEM UPGRADES**

SPECIFICATIONS

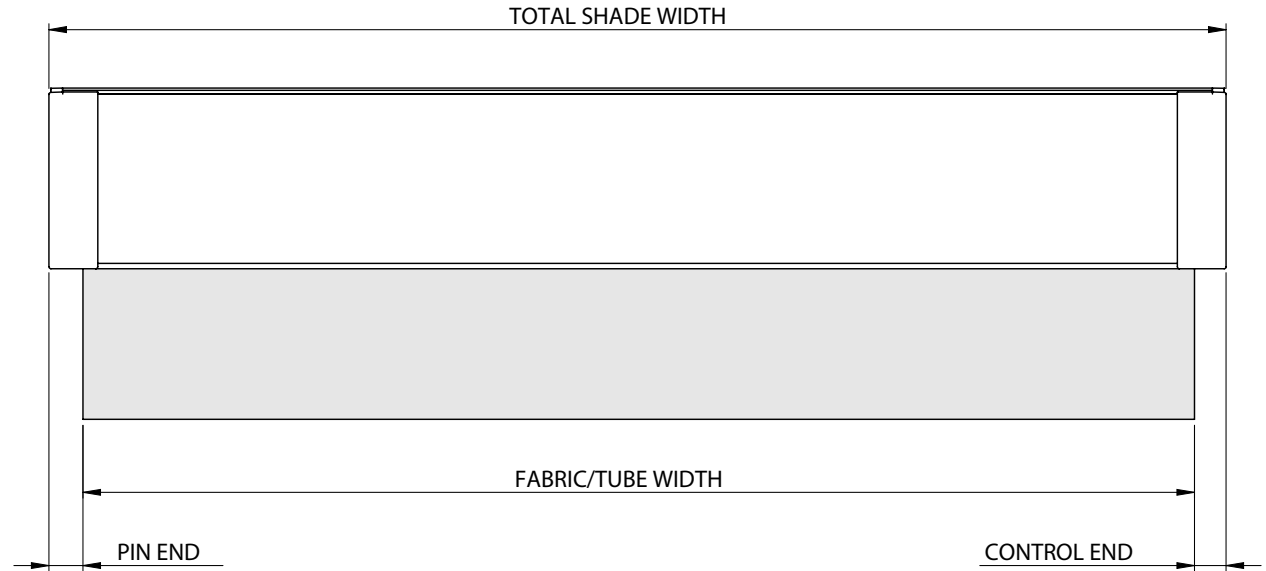
MAX ROLL - ROUND CASSETTE



MAX ROLL - SQUARE CASSETTE



DEDUCTION



TUBE	PIN END		CONTROL END										
			SPRING		MOTORIZATION					CHAINWINDER			
					DC/ Li-ion	DC	E6	M6	Li-ion ZERO				
S45	RB08/ RB09	RB12 (AERO) Limiter	RB02	EASY SPRING PLUS	1.1Nm/ 2.0Nm	3.0Nm	6.0Nm	6.0Nm	1.1Nm	2.0Nm	RB07*/ RB08	RB09	RB12 (AERO)
	18mm [3/4"]	20mm [3/4"]	19mm [3/4"]		21mm [7/8"]		22mm [7/8"]	17mm [5/8"]	18mm [3/4"]	20mm [3/4"]	18mm [3/4"]	21mm [7/8"]	

NOTE: DEDUCTIONS INCLUDE BRACKET COVERS

\* RB07 Fixed Guide 70

SYSTEM PARAMETERS

MAX DROP: 4.0m [exceeding this value may cause excessive fabric tracking]

FABRIC DENSITY: 420gsm

FABRIC THICKNESS: 0.5mm