

CF CASSETTE / FASCIA SUITE | MEDIUM S40/S45

Acmeda's new cassette roller suite offers a comprehensive range of head box styles, controls and side channel options with improved performance functionality and aesthetics. A contemporary round or square headbox; available in fully enclosed or partial fascia, designed to house the most commonly used medium roller systems. Utilising versatile hardware, the new cassette suite can be matched with dim-OUT side channels for improved energy efficiency.

AESTHETICAL FEATURES

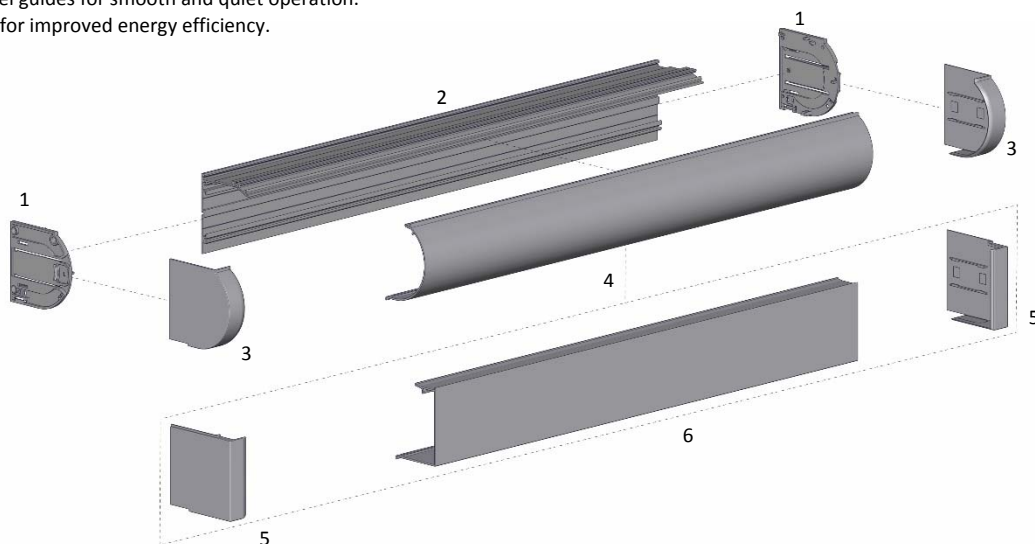
- Clean lines and complimentary aesthetics for various applications in round or square finish.
- Both styles available as a fascia or fully enclosed cassette.
- Face and top mounting clip options available for installations with minimised light and shadow gap.
- End covers designed to overlap cassette front to hide production imperfections.
- Colour matched plastic end covers.

PRODUCTION & ASSEMBLY FEATURES

- Suite utilises versatile hardware for reduced inventory in creating full square or round cassettes or fascias
- 2-piece dim-OUT side guides for improved face and recess installation.
- Extrusions available in mill for custom powder coating.

FUNCTIONAL BENEFITS

- Compatible with most S40/S45 Acmeda spring, chain and motorised controls.
- Co-moulded chain funnel guides for smooth and quiet operation.
- dim-OUT side channels for improved energy efficiency.

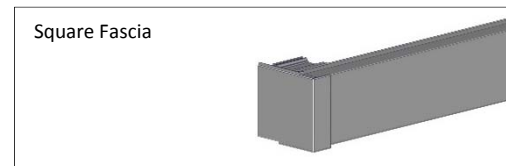
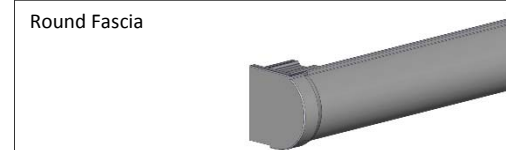


SYSTEM INDEX

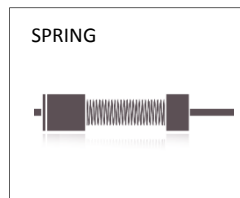
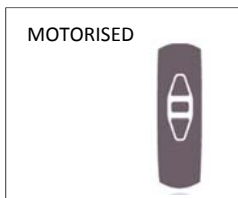
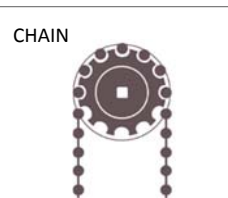
1.	Cassette 90 End Plate Set RC02-0101-xxx090
2.	Cassette 90 Back RC01-0101-xxx480
3.	Cassette 90 Round Cover Set RC02-0102-xxx090
4.	Cassette 90 Round Cover RC01-0102-xxx480
5.	Cassette 90 Square Cover Set RC02-0103-xxx090
6.	Cassette 90 Square Cover RC01-0103-xxx480

xxx = colour

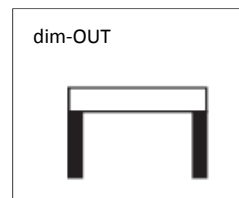
OPTIONS



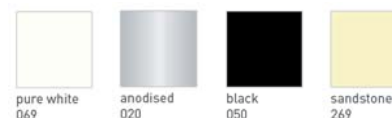
COMPATIBLE SYSTEMS



SYSTEM OPTIONS

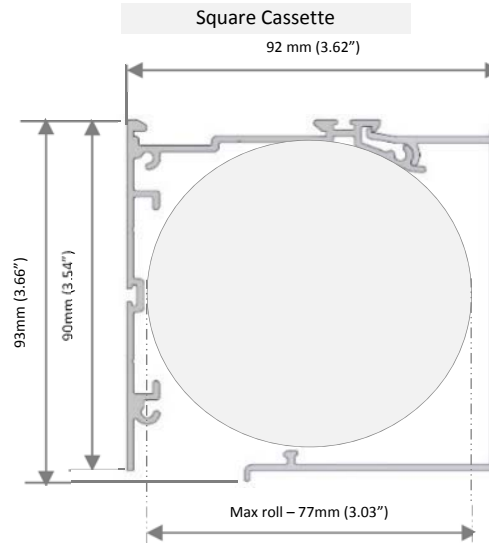
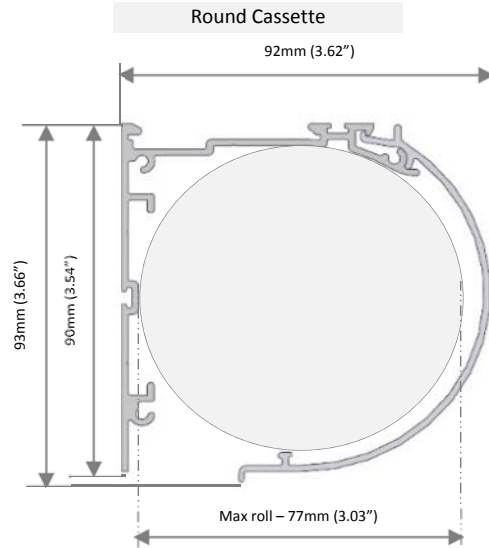


COLOUR RANGE



SPECIFICATIONS

MAX ROLL



DEDUCTIONS



IDLER END		CONTROL END							
		SPRINGS		AUTOMATE MOTORS		CHAIN WINDERS			
RB08/RB09	RB12	RB02	RB12	Li-ion 1.1 S40 & S45	EL/ML/Li-ion 3.0 (S45 ONLY)	RB07-70	RB08	RB09	RB12
18mm (0.709")	20mm (0.787")	19mm (0.748")	19mm (0.748")	17mm (0.669")	20mm (0.787")	20mm (0.787")	20mm (0.787")	18mm (0.709")	21mm (0.827")