

CF75 CASSETTE/FASCIA | AU

Rollase Acmeda's CF75 Cassette/Fascia add on solution suite offers a comprehensive range of head box styles, controls and side channel options with improved performance functionality and aesthetics. A contemporary round or square headbox, available in fully enclosed or partial fascia, designed to house the S35 Roller Shade chainwinders & motorized control systems. Utilizing versatile hardware, the new cassette suite can be matched with dim-OUT side channels for improved energy efficiency.

AESTHETICAL FEATURES

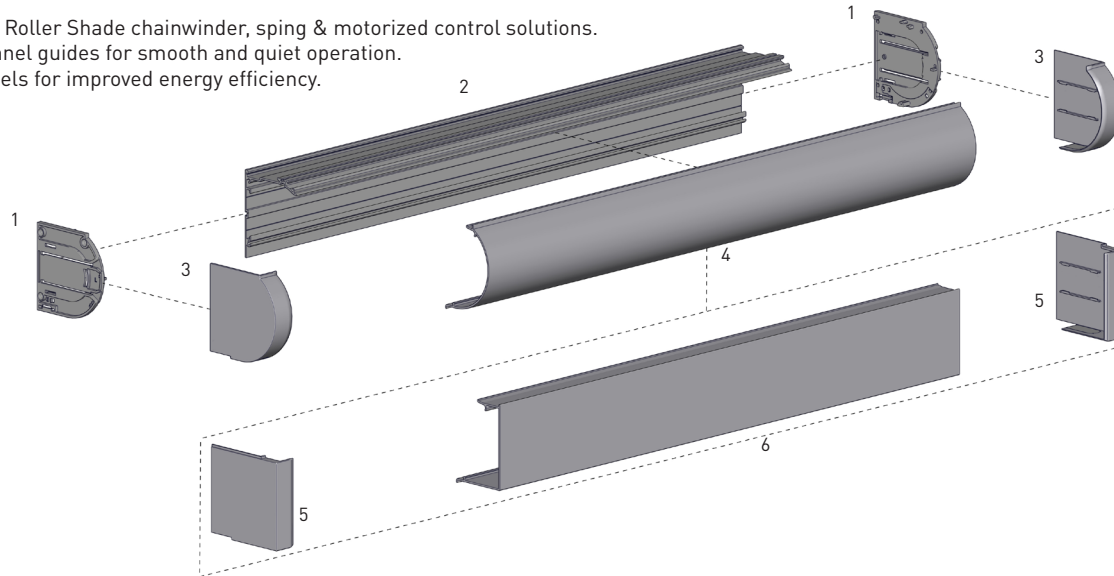
- Clean lines and complimentary aesthetics for various applications in round or square finish.
- Both styles available as a fascia or fully enclosed cassette.
- Wall and Ceiling mounting clip options available for installations with minimized light gap.
- End covers designed to overlap cassette front to conceal production blemishes.
- Color matched plastic end covers.

PRODUCTION & ASSEMBLY FEATURES

- Suite utilizes versatile hardware for reduced inventory in creating full, square or round cassettes or fascias.
- 2-piece dim-OUT side channels for improved face/wall and recess/inside mount installation.
- Extrusions available in mill for custom powder coating.

FUNCTIONAL BENEFITS

- Compatible with S35 Roller Shade chainwinder, spring & motorized control solutions.
- Co-molded chain funnel guides for smooth and quiet operation.
- Dim-OUT side channels for improved energy efficiency.

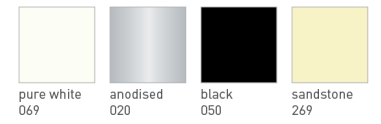


SYSTEM INDEX

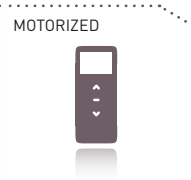
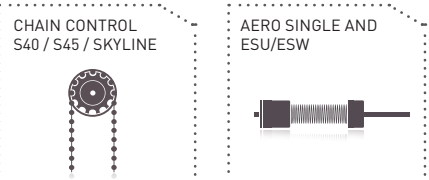
1	Cassette 75 End Plate Set	RC02-0101-xxx075
2	Cassette 75 Back	RC01-0201-xxx480
3	Cassette 75 Round Cover Set	RC02-0102-xxx075
4	Cassette 75 Round Cover	RC01-0202-xxx480
5	Cassette 75 Square Cover Set	RC02-0103-xxx075
6	Cassette 75 Square Cover	RC01-0203-xxx480

xxx= colour

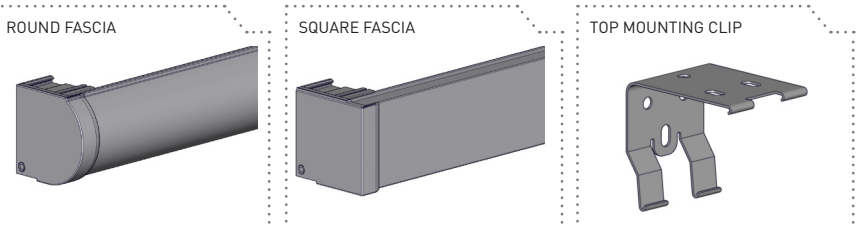
COLOR RANGE



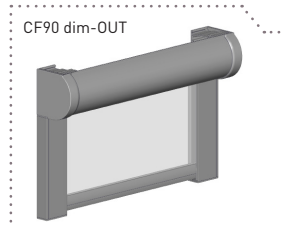
CONTROL OPTIONS



SYSTEM OPTIONS

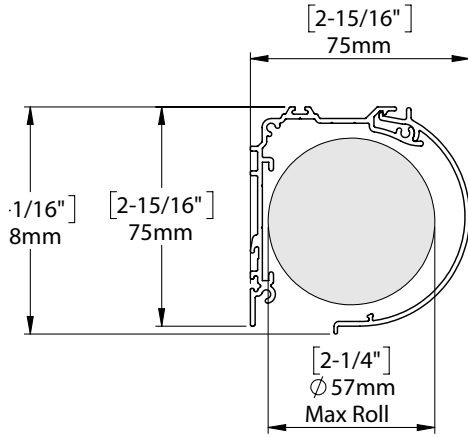


SYSTEM UPGRADES

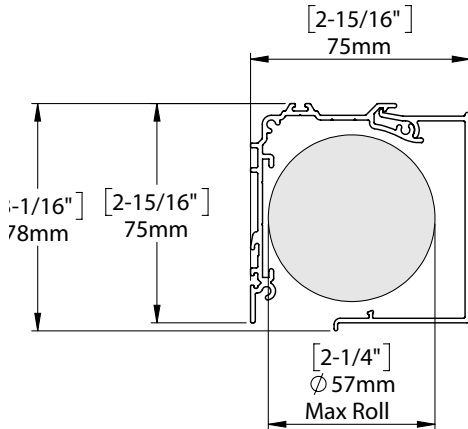


SPECIFICATIONS

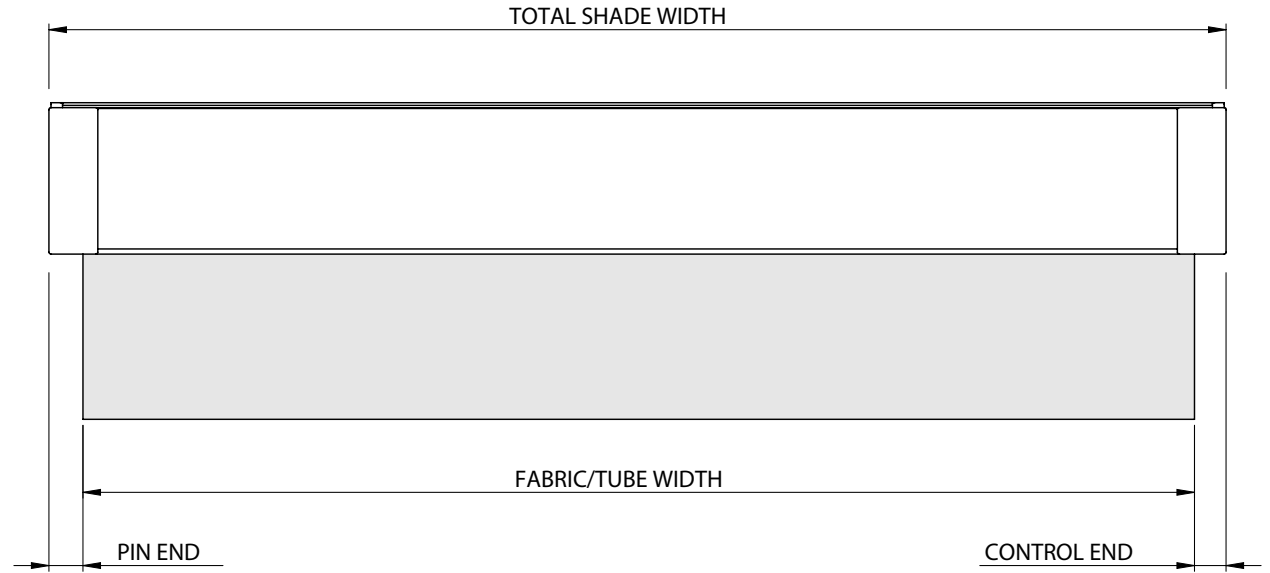
MAX ROLL - ROUND CASSETTE



MAX ROLL - SQUARE CASSETTE



DEDUCTION



TUBE	PIN END	CONTROL END			
		SPRING	MOTORIZATION		CHAINWINDER
			DC/ Li-ion	Li-ion ZERO	
S35	RB08/RB09	RB02	1.1Nm	1.1Nm	RB08
	18mm [3/4"]	19mm [3/4"]	19mm [3/4"]	17mm [5/8"]	20mm [3/4"]

NOTE: DEDUCTIONS INCLUDE BRACKET COVERS

SYSTEM PARAMETERS

MAX DROP: 4.0m *[exceeding this value may cause excessive fabric tracking]*

FABRIC DENSITY: 420gsm

FABRIC THICKNESS: 0.5mm