

# AUTOMATE | ARC FT Motor

Part #: MT01-1145-050001

Description: AUTOMATE | ARC FT MOTOR [Ø45/15Nm/15rpm] with Clip

## FEATURES

- Impact Detection technology which senses an object in shades path and reverts to a safe position
- Three different modes of Fabric Tension technology
  - E-type for standard use;
  - Manual FT Mode for use with conventional locking devices with fabric tensioning; and
  - Auto FT Mode for use with Rollease Acmeda's proprietary Ultra-Lock, providing automatic fabric tensioning.
- An intermediate programming setting allows for customized favorite position.
- Compatible with Rollease Acmeda's Ultra-Lock, the FT15 motor will automatically close, lock and tension the shade with a simple touch.
- New ARC protocol for simple programming.
- Compatible with New ARC Solar Powered Wind, Light & Rain Sensor

## TECHNOLOGIES



433 MHz  
BI-DIRECTIONAL



ELECTRONIC  
LIMIT



FAVORITE  
POSITION



FABRIC  
TENSION



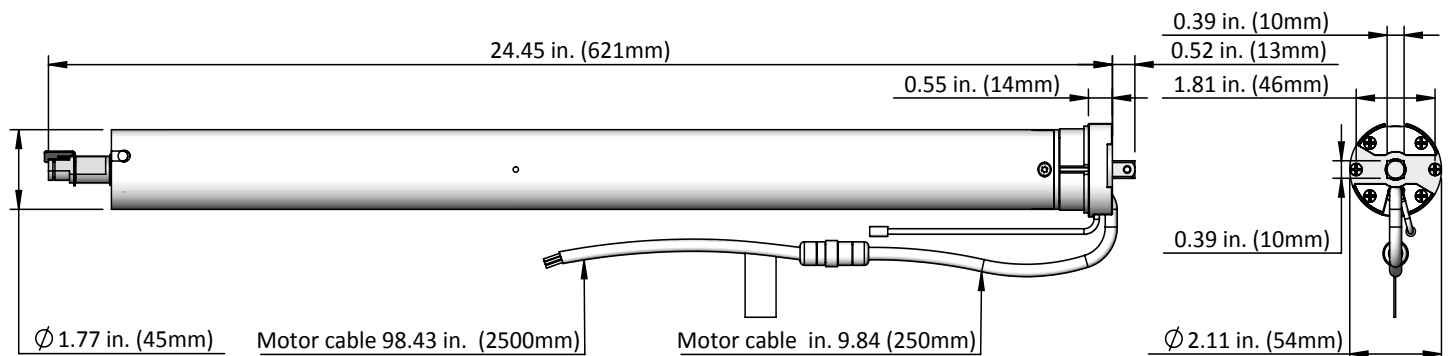
ULTRA  
LOCK



IMPACT  
DETECTION



## DIMENSIONS



## SPECIFICATIONS

<b>Voltage</b>	220-240V AC 50Hz	<b>IP Rating</b>	IP44
<b>Torque</b>	15Nm	<b>Limit Switch Type</b>	Electronic
<b>Max Run Time</b>	4 min	<b>Amps</b>	0.61 A
<b>Speed</b>	15 rpm	<b>Battery Size/Type</b>	-
<b>Radio Frequency</b>	433.92 MHz	<b>Temp Working Range</b>	0-60 °C
<b>RF Modulation</b>	FSK	<b>Insulation Class</b>	I

MT01-1145-050001\_PDRG\_v1.1\_APRIL2018

Leading innovator of precision hardware and automated shade solutions.  
AUSTRALIA | USA | EUROPE [rolleaseacmeda.com](http://rolleaseacmeda.com)

© 2018 Rollease Acmeda Group

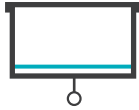


**ROLLEASE  
ACMEDA**  
PRECISION IN MOTION

## APPLICATIONS



OUTDOOR  
SHADES



ROLLER  
SHADE

## COMPATIBLE SYSTEMS

- Zipscreen
- Veue
- S60 Large Roller Shades

## ACCESSORIES

<b>CROWN &amp; DRIVES</b>	M50 SLIM Motor Head Plate   AUTOMATE S60 Part #: RB56-0711-xxx518
	M50 SLIM Motor Head Plate + screws   AUTOMATE S60 Part #: RB56-0711-xxx519
	M50 SLIM Motor Adapter + screws   AUTOMATE S60 Part #: RB56-0701-xxx518
	Drive Wheel (FT Impact Detect) - 63mm Alum Tube Part #: RE01-0666-xxx508
	AUTOMATE   63mm Drive Wheel - (Impact Drive) Part #: RE01-0666-xxx518
	AUTOMATE   78mm Drive Wheel - (Impact Drive) Part #: RE01-0680-xxx518
	AUTOMATE Drive Wheel Set   S60 Part #: RB56-0105-xxx518
	AUTOMATE Drive Wheel Set - Collision Control   2.5" & 3.25" Tubes Part #: RE01-0665-xxx518
	AUTOMATE Drive Wheel CLIP for FT Motor Part #: MTCLIP-35-45
	AUTOMATE   10mm Square Shaft + Screws   SLIM Motor Part #: RE01-0603-025000
	M50 Motor Bracket + Screws - Universal Motors Part #: RE01-0601-025000

## REMOTES

Paradigm 1CH ARC Remote Part #: MTRF-REM-1
Paradigm 15CH ARC Remote Part #: MTRF-REM-15
Solar Powered Wind, Light & Rain Sensor Part #: MT02-0301-072001

