

# AUTOMATE | SOLAR POWERED WIND, LIGHT & RAIN SENSOR

Part #: MT02-0301-072001

Description: Solar Powered Sun, Wind & Rain Sensor ARC

## FEATURES

- Measure wind speed as an anemometer
- Measure light intensity as a Lux meter
- Capacitive rain sensor
- LCD display
- ARC compatibility
- Micro-B USB data output/charging port
- Solar charge panels
- Built-in Lithium Ion battery
- Water resistant (IP54 rating)
- Universal mount (roof, wall, eave, fascia)

## TECHNOLOGIES



BATTERY  
POWERED



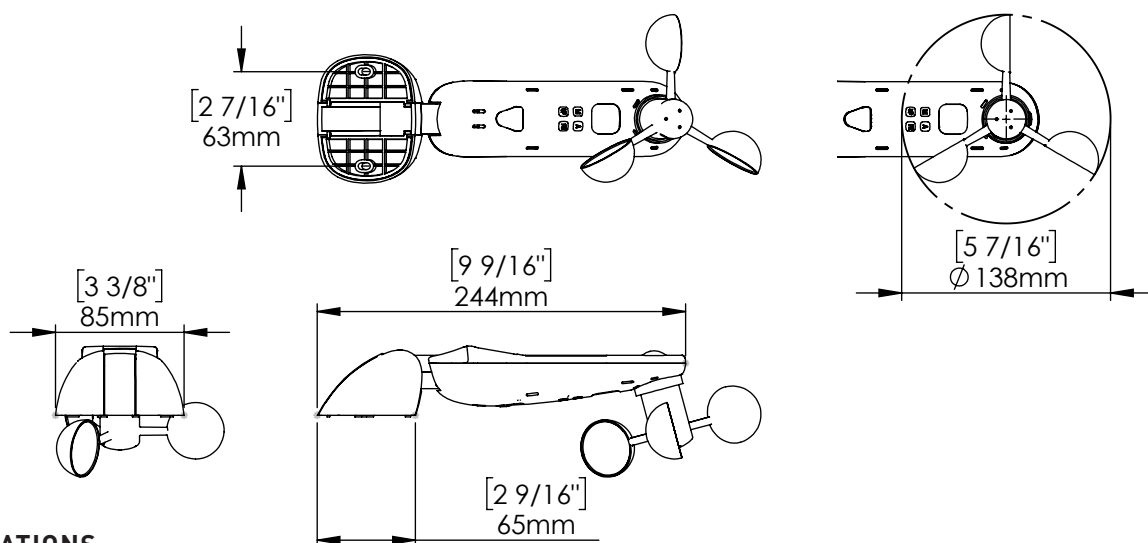
SOLAR  
CHARGING



433 MHZ  
BI-DIRECTIONAL



## DIMENSIONS



## SPECIFICATIONS

<b>Modulation</b>	FSK	<b>Ingress protection</b>	IP54
<b>Light intensity range</b>	0-100 kLux	<b>Battery capacity</b>	600 mAh
<b>Rain detection sensitivity</b>	Off, Low, High	<b>Charging current</b>	25 mA by solar energy; 120 mA by USB
<b>Frequency</b>	433.92 MHz	<b>Transmitting power</b>	120 mW
<b>Wind Speed Range</b>	0-180 km/h	<b>Standby electric current consumption</b>	20-50 uA
	0-112 mph		
<b>Transmission distance</b>	35m indoor, 200m open space	<b>Ambient operating temperature</b>	-20 °C - +60 °C
	115ft indoor, 656ft open space		-4 °F - 140 °F

Leading innovator of precision hardware and automated shade solutions.  
AUSTRALIA | USA | EUROPE [rolleseaacmeda.com](http://rolleseaacmeda.com)



## APPLICATIONS



AWNINGS



OUTDOOR  
SHADES

## COMPATIBLE SYSTEMS

- Zipscreen
- Veue Drop Awnings
- Piuma (AU)
- Klip (AU)
- Stein (AU)
- Kumo (AU)
- Shan (AU)
- Ilios - Wire & Pivot Arm (AU)

## ACCESSORIES

### COMPATIBLE MOTORS

AUTOMATE | ARC FT Motor [AU]

Part #: MT01-1145-050001

AUTOMATE | ARC FT SLIM Motor Quiet [US]

Part #: MT01-1145-069002

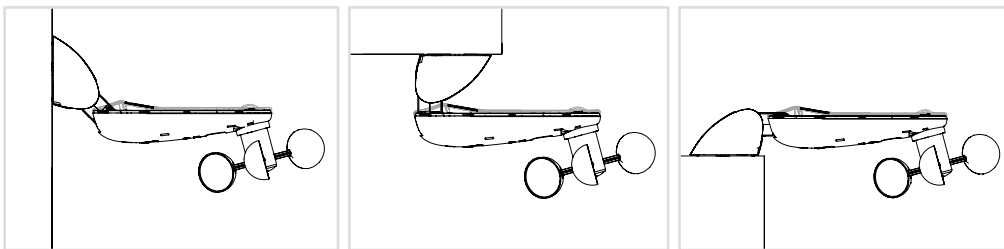
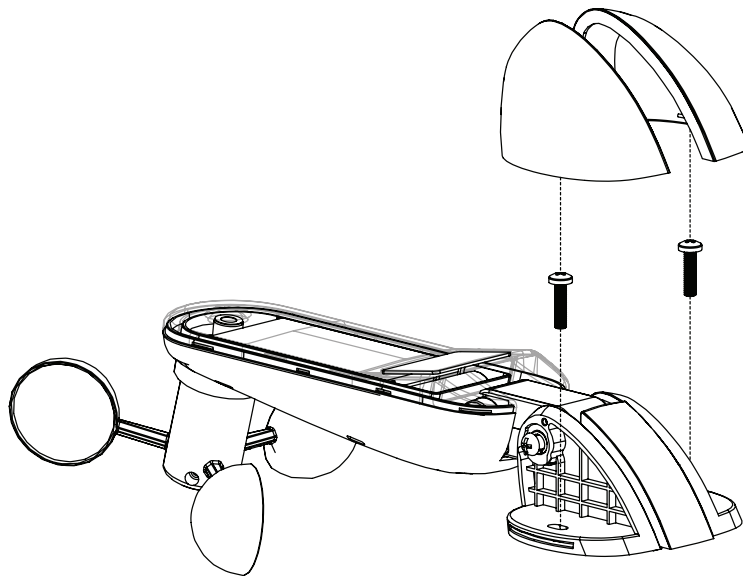
AUTOMATE | ARC FT SLIM Motor {US}

Part #: MT01-1145-069003

AUTOMATE | ARC FT SLIM Motor Quiet - 20' Cord [US]

Part #: MT01-1145-069004

## INSTALLATION



Leading innovator of precision hardware and automated shade solutions.  
AUSTRALIA | USA | EUROPE [rolleseeacmeda.com](http://rolleseeacmeda.com)