

AUTOMATE™

ARC Motion Sensor Instructions



433 MHZ
BI-DIRECTIONAL

The ARC Motion Sensor is used to detect motion on a shade. The result of strong vibration can trigger a paired awning motor to move the shade to its home position for protection. The motion sensor can only be programmed to operate External Motors (15Nm and upwards).

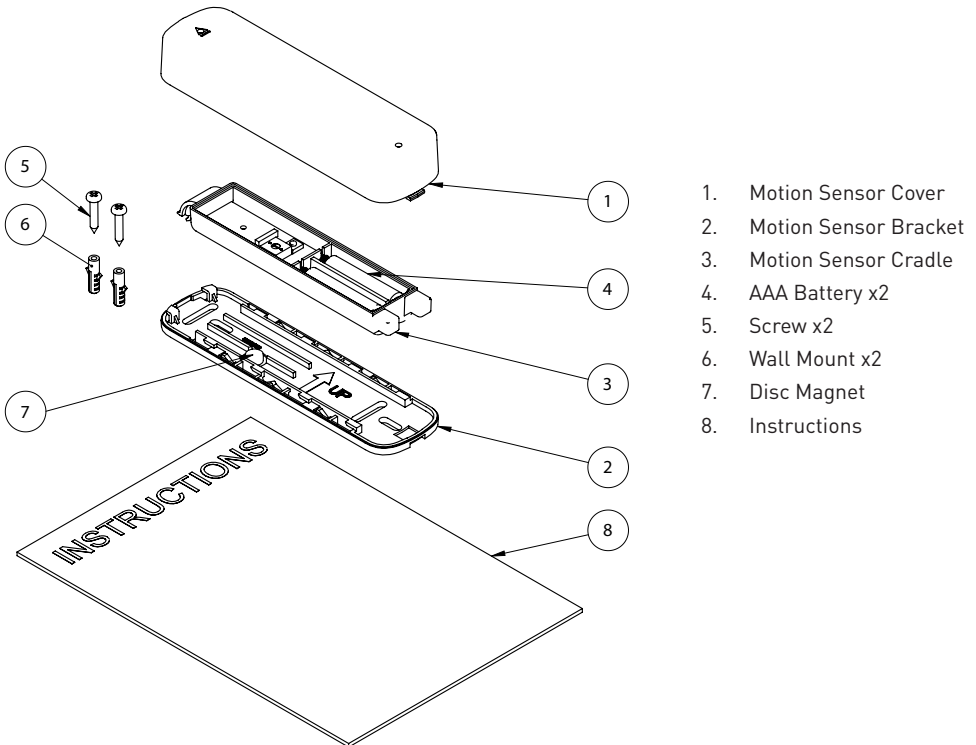
FEATURES:

- Compatible with AUTOMATE awning motors and controllers
- Suitable for fitting to awning terminal bars
- Provides protection from excessive wind gusts
- 9 x levels of sensitivity
- Low battery warning

CONTENTS

1	SAFETY INSTRUCTIONS	3
2	OVERVIEW	4
2.1	Dimensions	4
2.2	Cover Removal	4
2.3	P2 Button & Sensitivity Dial	5
2.4	Sensitivity Dial Adjustment	5
3	FUNCTION	6
3.1	Sensitivity Dial / P2 Operation	6
3.2	Pairing to Motion Sensor	6
3.3	Awning Open / Close Setting	6
4	TROUBLE SHOOTING	7

KIT COMPONENTS



1 SAFETY INSTRUCTIONS

WARNING: Important safety instructions to be read before installation and use.

Incorrect installation or use can lead to serious injury and will void manufacturer's liability and warranty.

It is important for the safety of persons to follow the enclosed instructions. Save these instructions for future reference.

- Do not expose to water, moisture, humid and damp environments or extreme temperatures.
- Persons (including children) with reduced physical, sensory or mental capabilities, or lack of experience and knowledge should not be allowed to use this product.
- Use or modification outside the scope of this instruction manual will void warranty.
- Installation and programming to be performed by a suitably qualified installer.
- Follow installation instructions.
- For use with motorized shading devices.
- Keep away from children.
- Frequently inspect for improper operation. Do not use if repair or adjustment is necessary.
- Keep clear when in operation.
- Replace battery with correctly specified type.

Rollease Acmeda declares this equipment is in compliance with the essential requirements and other relevant provisions of Radio Equipment Directive 2014/53/EU.

Statement Regarding FCC / IC Compliance

This device complies with Part 15 of the FCC Rules / Industry Canada license-exempt RSS standard(s). Operation is subject to the following two conditions:

1. this device may not cause harmful interference, and
2. this device must accept any interference received, including interference that may cause undesired operation.

Le présent appareil est conforme aux CNR d'Industrie Canada applicables aux appareils radio exempts de licence. L'exploitation est autorisée aux deux conditions suivantes : (1) l'appareil ne doit pas produire de brouillage, et (2) l'utilisateur de l'appareil doit accepter tout brouillage radioélectrique subi, même si le brouillage est susceptible d'en compromettre le fonctionnement.

Changes or modifications not expressly approved by the party responsible for compliance could void the user's authority to operate the equipment.

This equipment has been tested and found to comply with the limits for a Class B digital device, pursuant to part 15 of the FCC rules. These limits are designed to provide reasonable protection against harmful interference in a residential installation. This equipment generates, uses and can radiate radio frequency energy and, if not installed and used in accordance with the instructions, may cause harmful interference to radio communications. However, there is no guarantee that interference will not occur in a particular installation. If this equipment does cause harmful interference to radio or television reception, which can be determined by turning the equipment off an on, the user is encouraged to try to correct the interference by one or more of the following measures:

- Reorient or relocate the receiving antenna
- Increase the separation between the equipment and receiver
- Connect the equipment into an outlet on a circuit different from that to which the receiver is connected
- Consult the dealer or an experienced radio/TV technician for help

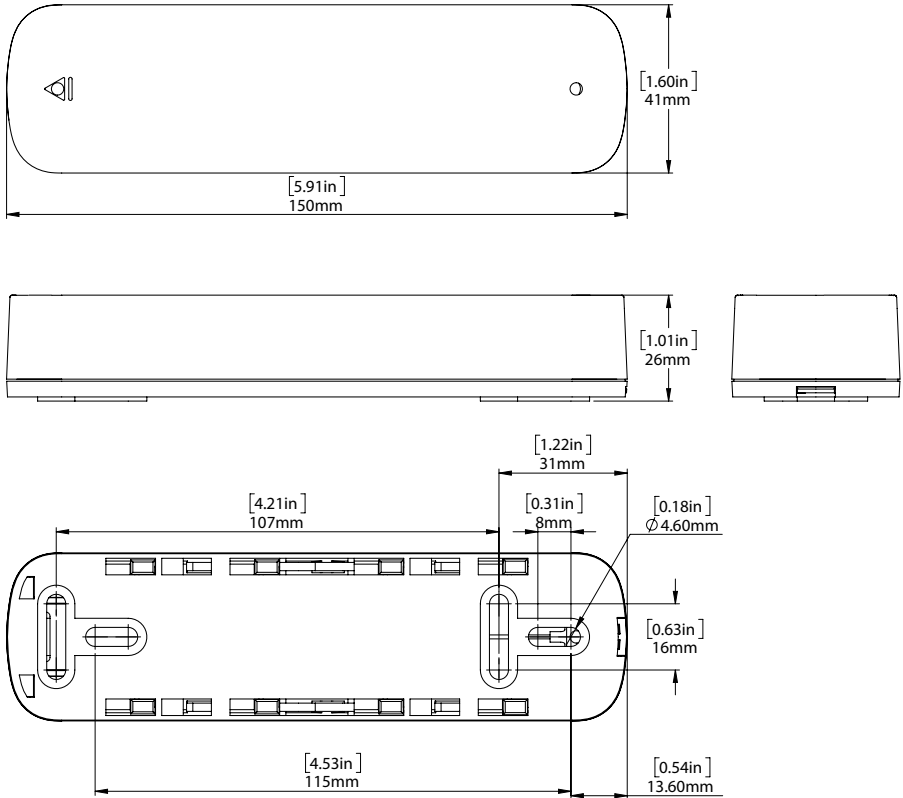


Do not dispose of in general waste.
Please recycle batteries and damaged electrical products appropriately.

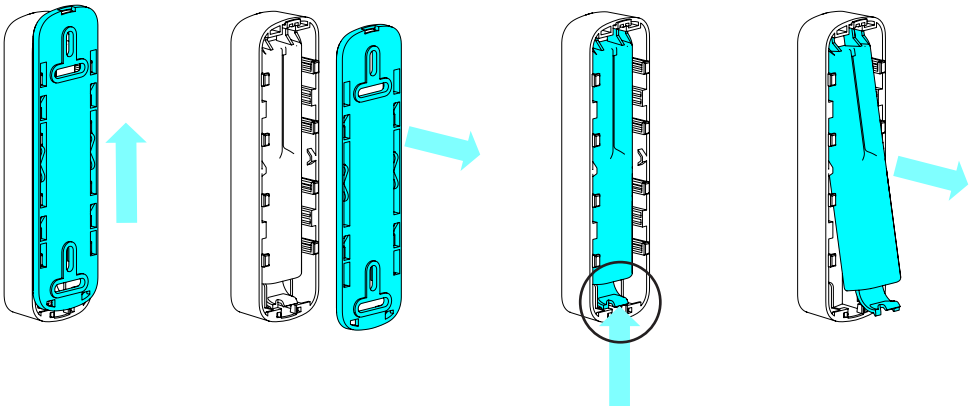


2 OVERVIEW

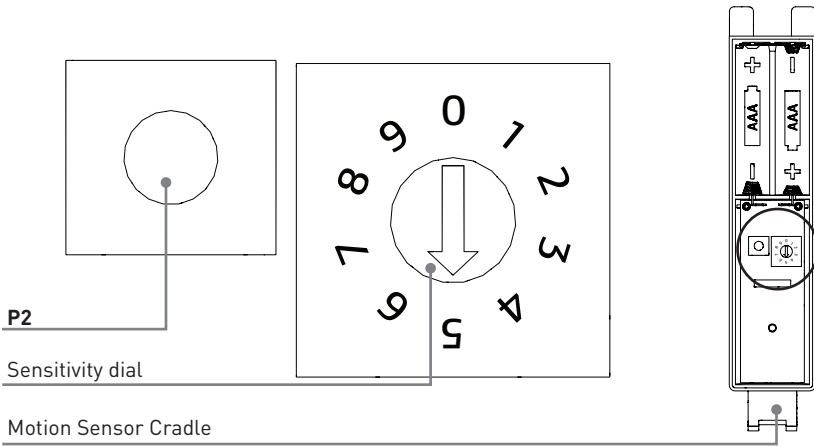
2.1 DIMENSIONS



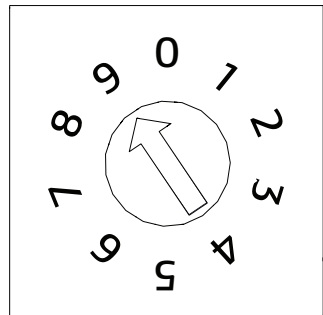
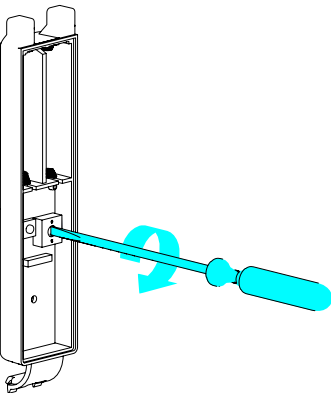
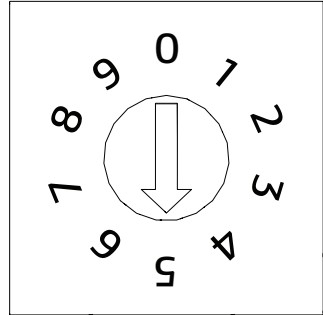
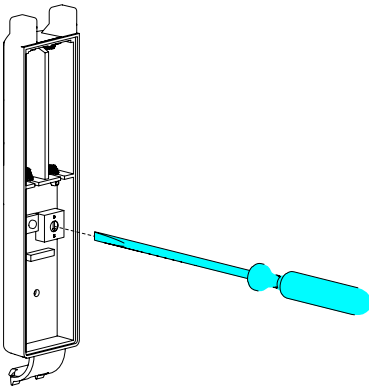
2.2 COVER REMOVAL



2.3 P2 BUTTON & SENSITIVITY DIAL



2.4 SENSITIVITY DIAL ADJUSTMENT



3 FUNCTION

3.1 SENSITIVITY DIAL / P2 OPERATION

- Dial set to 0 = use P2 to pair or unpair motion sensor to a motor using a pre-paired remote control
- Dial set to 5 = use P2 to set upper limit trigger
- Dial set to 9 = use P2 as UP button of remote
- Dial set to 1-9 = Sensitivity Highest - Lowest



When battery voltage is lower than 2.3 V, it beeps every 5 seconds.

Adjust sensitivity accordingly. The detected vibration range is 3G. (1G = 9.8 m/s²)

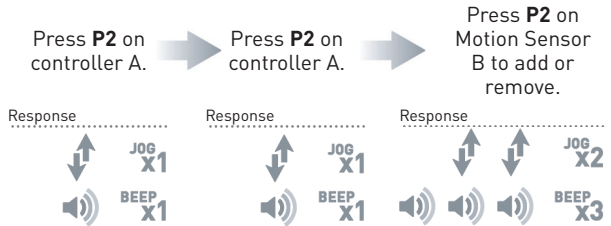
High sensitivity could cause awning to react under slight wind.

If the disc magnet is dislodged, the vibration detection and low battery alarm functions are invalid.

3.2 PAIRING TO MOTION SENSOR

1. Set Sensitivity Dial to zero
2. Pair or unpair a motor to the sensor using a pre-paired remote

A = Existing controller or channel (to keep)
B = Motion Sensor to add or remove

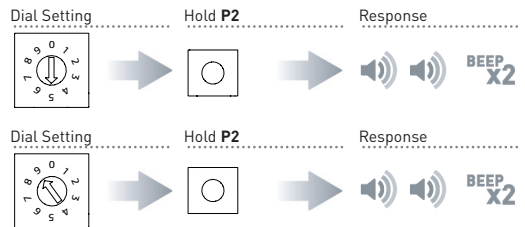


NOTE:

- The ARC Motion Sensor can only be connected and paired to External Motors (15Nm and above).
- If the pair is successfully done, the motor can be triggered to move upward by pressing the **P2** button on the sensor whilst the dial is set to **5 or 9**.
- After the sensor is paired to a motor, it can independently drive the motor without the remote.

3.3 AWNING OPEN SETTING

1. Set Dial to 5 OR 9 and hold P2 until it beeps twice then release - Setting changes to move awning to upper limit when motion sensor triggers.



4 TROUBLE SHOOTING

Problem	Cause	Remedy
Sensor does not work	Battery is discharged	Replace battery
	Battery is inserted incorrectly	Check battery polarity
Motor is not responding	Radio interference / Shielding	Ensures sensor is positioned away from metal objects and that aerial on motor is kept straight and away from metal
	Receiver distance is too far from transmitter	Move sensor to a closer position
	Power failure	Check power supply to motor is connected and active
	Incorrect wiring	Check wiring is connected correctly (refer to motor installation instructions)
	Pairing error	Set dial to 5 or 9 and press multi function button to verify motor reacts
Awning constantly retracts during operation	Sensitivity set too high	Reduce sensitivity
Awning does not react to wind setting	Wind Sensitivity is too high	Adjust sensitivity
	Duration of wind intensity level is less than 3 seconds	Wind gust durations must be over 3 seconds to trigger
Sensor causes awning to extend instead of retract	Direction is incorrect	Use remote to delete existing upper/lower limits, hold UP and DOWN button to reverse direction, then set the upper/lower limits again
Sensor beeps every five seconds	Flat batteries	Replace batteries with correct type

ROLLEASE ACMEDA | AUSTRALIA

110 Northcorp Boulevard,
Broadmeadows VIC 3047
T +61 3 9355 0100 | F +61 3 9355 0110

ROLLEASE ACMEDA | USA

750 East Main Street, 7th Floor,
Stamford, CT 06902 6320
T +1 203 964 1573 | F +1 203 358 5865

ROLLEASE ACMEDA | EUROPE

Via Conca Del Naviglio 18, Milan
(Lombardia) Italy
T +39 02 8982 7317 | F +39 02 8982 7317

info@rolleasacmeda.com
rolleasacmeda.com