

AUTOMATE | ARC A50 SS Motor

Part #: MT01-1145-069005

Description: AUTOMATE | ARC A50 ss MOTOR [Ø45/50Nm/13rpm] & Kit



FEATURES

- ARC protocol & Programming
- Wireless Limit setting and adjustment (Electronic Limit setting)
- Compatible with Wind rain Light and movement sensors
- Simple limit setting avoids run time cutout during setup
- Bi-directional Communication allow users to see position via the Pulse app
- Favorite Position setting allows users to quickly send awning to alliterative position
- Connect, Alexa and Google home for ultimate voice control
- Connect IFTTT and never list a finger again. IFTTT can open your awning based on dynamic UV levels on a weather app in your area or close upon a wind warning from the weather station.

TECHNOLOGIES



433 MHZ
BI-DIRECTIONAL



ELECTRONIC
LIMIT



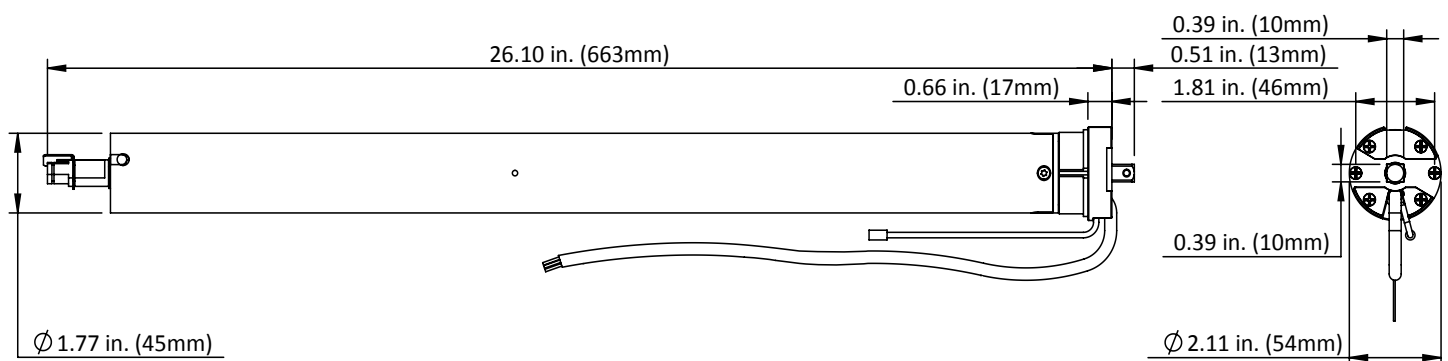
FAVORITE
POSITION



FABRIC
TENSION



DIMENSIONS



Leading innovator of precision hardware and automated shade solutions.
AUSTRALIA | USA | EUROPE rolleseeacmeda.com



SPECIFICATIONS

Voltage	220-240V AC 50Hz	IP Rating	IP44
Torque	50Nm	Limit Switch Type	Electronic
Max Run Time	4 min	Amps	0.98 A
Speed	13 rpm	Temp Working Range	0-60 °C
Radio Frequency	433.92 MHz	Insulation Class	I
RF Modulation	FSK		

APPLICATIONS



OPEN
AWNING



CASSETTE
AWNING

COMPATIBLE SYSTEMS

- KLIP, STEIN, PIUMA, KUMO and SHAN systems

ACCESSORIES

CROWN & DRIVES	M50 SLIM Motor Head Plate AUTOMATE S60 Part #: RB56-0711-xxx518
	M50 SLIM Motor Head Plate + screws AUTOMATE S60 Part #: RB56-0711-xxx519
	M50 SLIM Motor Adapter + screws AUTOMATE S60 Part #: RB56-0701-xxx518
	Drive Wheel (FT Impact Detect) - 63mm Alum Tube Part #: RE01-0666-xxx508
	AUTOMATE 63mm Drive Wheel - (Impact Drive) Part #: RE01-0666-xxx518
	AUTOMATE 78mm Drive Wheel - (Impact Drive) Part #: RE01-0680-xxx518
	AUTOMATE Drive Wheel Set S60 Part #: RB56-0105-xxx518
	AUTOMATE Drive Wheel Set - Collision Control 2.5" & 3.25" Tubes Part #: RE01-0665-xxx518
	AUTOMATE Drive Wheel CLIP for FT Motor Part #: MTCLIP-35-45
	AUTOMATE 10mm Square Shaft + Screws SLIM Motor Part #: RE01-0603-025000
	M50 Motor Bracket + Screws - Universal Motors Part #: RE01-0601-025000

REMOTES

Paradigm 1CH ARC Remote Part #: MTRF-REM-1
Paradigm Plus 15CH Remote Part #: MT02-0101-072003
Paradigm 15CH ARC Remote Part #: MTRF-REM-15
Solar Powered Wind, Light & Rain Sensor Part #: MT02-0301-072001
ARC Movement Sensor Part #: MT02-0301-072002