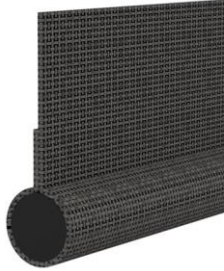


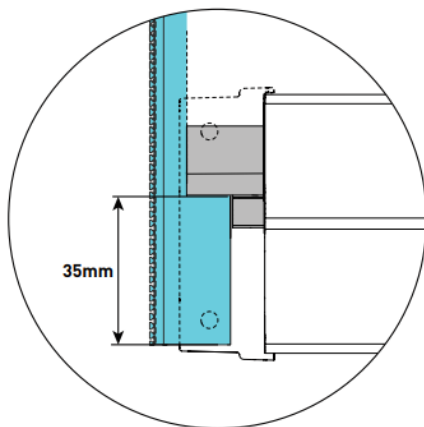
NEW PRODUCT | 7mm Fabric Spline w/ 15mm Tail

PRODUCT DETAILS	
DESCRIPTION.	7mm Fabric Spline w/ 15mm Tail (100m Rolls)
CODE.	SB91-0409-050015
PACK SIZE.	100m Rolls
PRICE.	Refer relevant price list
COLOUR / FINISH.	Black (050)
IMAGE.	
USE WITH.	F56 Weight Bar, F72 Multi Bar 78 STD / 78 HD Aluminium Tube, 78 STEEL Tube Zipscreen 2-piece end caps
AVAILABLE.	From September 2019

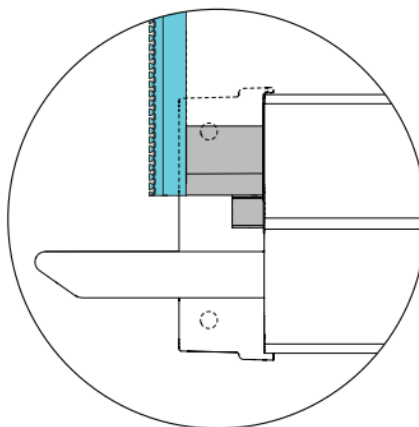
The Fabric Spline is the answer to any zip disengagement occurrences when the shade is fully raised.

PRODUCTION / INSTALLATION FEATURES

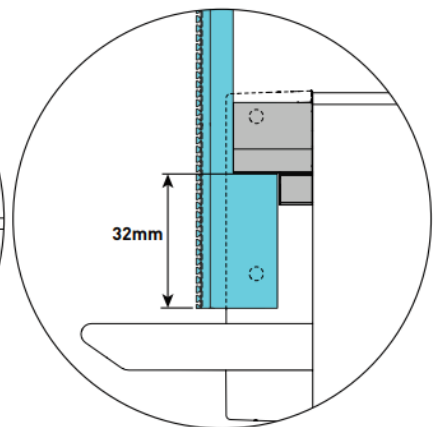
- Always provides additional zip engagement within the Zipscreen Inner Rail
- Tail & spline hold shape when removed from the roll, reduced effort required to ensure the weld area remains flat
- Use in conjunction with Zipscreen 2-piece end caps to provide clamping in the fabric corners
- Refer updated Zipscreen Assembly Manual for revised manufacturing procedure
- Uses same welding jig as 7.2mm PVC tail spline
- Improved manufacturing & welding consistency



F56



F56 with Ultra-Lock



F72 with or without Ultra-Lock

FUNCTIONAL BENEFITS

- Polyester fabric for material stability
- Reduced puckering / shrinkage of the spline
- PVC coating on tail to ensure complete welding adhesion
- Increased spline flexibility to allow rolling of fabric

AESTHETIC FEATURES

- Matt black colour
- No fraying of top edge