
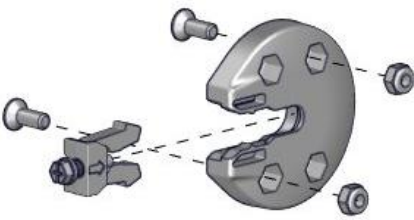


PRODUCT CHANGE | Idler/Spring Adaptor Kit MkII

	DISCONTINUED PRODUCT	REPLACEMENT PRODUCT	CHANGES MADE	
			YES	NO
DESCRIPTION.	Idler/Spring Adaptor + Screws	Idler/Spring Adaptor Kit MkII	<input checked="" type="checkbox"/>	<input type="checkbox"/>
CODE.	RE01-0204-050000	RE01-0214-050000	<input checked="" type="checkbox"/>	<input type="checkbox"/>
PACK SIZE.	5 400 Pcs	5 200 Pcs	<input checked="" type="checkbox"/>	<input type="checkbox"/>
PRICE.	Refer relevant price list	Refer relevant price list	<input checked="" type="checkbox"/>	<input type="checkbox"/>
COLOUR / FINISH.	Black (050)	Black (050)	<input type="checkbox"/>	<input checked="" type="checkbox"/>
IMAGE.			<input checked="" type="checkbox"/>	<input type="checkbox"/>
USE WITH.	External Booster, Bearing Idler, Box 120 End plates, Open Brackets	External Booster, Bearing Idler, Box 120 End plates, Open Brackets	<input type="checkbox"/>	<input checked="" type="checkbox"/>
TRANSITIONING.	<i>Available while stocks last.</i>	<i>In stock now.</i>		

IMPROVEMENTS / CHANGES

PRODUCTION / INSTALLATION IMPROVEMENTS

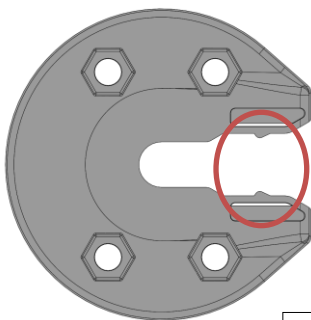
- Universal (LH / RH) adapter for Idler and Spring installations
- Cavity for press fit Nyloc Nuts, additional socket drive not required during assembly
- Heavy duty press-fit retainer clip positively secures Idler Pin / Spring Head
- Combo Head fastener (Phillips #2, Slot, 8mm socket) pre-assembled in the retainer clip for quick assembly during installation

NOTE: The Idler/Spring Adaptor Kit MkII is not compatible with the wire guide top terminal when used in Open Brackets.

CHANGES MADE	
YES	NO
<input checked="" type="checkbox"/>	<input type="checkbox"/>

FUNCTIONAL IMPROVEMENTS / CHANGES

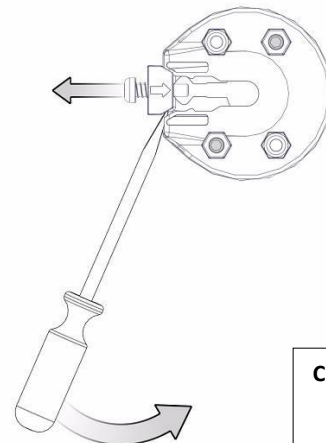
- Entry snap's provide positive feedback when a Spring head or Idler Pin is inserted correctly
- The Retainer Clip screw is fastened to provide absolute retention, ensuring the clip cannot be accidentally removed under any circumstances



CHANGES MADE	
YES	NO
<input checked="" type="checkbox"/>	<input type="checkbox"/>

REMOVING THE RETAINER CLIP

1. Un-screw the fastener before attempting to remove the Retainer Clip
2. Use a screwdriver to lever the Retainer Clip out of the Adaptor body



CHANGES MADE	
YES	NO
<input checked="" type="checkbox"/>	<input type="checkbox"/>