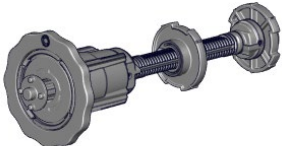
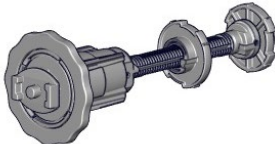


PRODUCT CHANGE - SINGLE STOP LIMITER

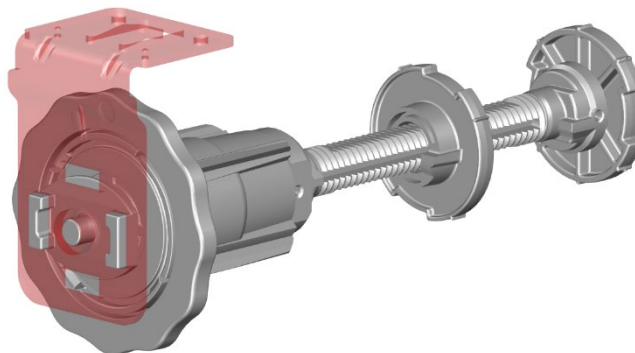
	DISCONTINUED PRODUCT	REPLACEMENT PRODUCT	CHANGES MADE	
			YES	NO
DESCRIPTION.	Single Stop Limiter Universal	Single Stop Limiter Universal	<input checked="" type="checkbox"/>	<input type="checkbox"/>
CODE.	RB12-6000-xxx038 RB12-6000-xxx045 RB12-6100-xxx045	RB12-6101-xxx038 RB12-6101-xxx045 RB12-6102-xxx045	<input checked="" type="checkbox"/>	<input type="checkbox"/>
PACK SIZE.	10/80 Each	10/80 Each	<input type="checkbox"/>	<input checked="" type="checkbox"/>
PRICE.			<input type="checkbox"/>	<input checked="" type="checkbox"/>
COLOUR / FINISH.	White (069)	White (069)	<input type="checkbox"/>	<input checked="" type="checkbox"/>
IMAGE.			<input checked="" type="checkbox"/>	<input type="checkbox"/>
USE WITH.	<ul style="list-style-type: none"> - RB12-2501-xxx038 - RB12-2502-xxx038 - RB12-2503-xxx040 	<ul style="list-style-type: none"> - RB12-2501-xxx138 - RB12-2502-xxx138 - RB12-2503-xxx140 	<input checked="" type="checkbox"/>	<input type="checkbox"/>
TRANSITIONING.				

IMPROVEMENTS / CHANGES

PRODUCTION / INSTALLATION IMPROVEMENTS

Compatible with:

- Single Stop Limiter Bracket
- RB12-2501-xxx138
 - RB12-2502-xxx138
 - RB12-2503-xxx140



CHANGES MADE	
YES	NO
<input checked="" type="checkbox"/>	<input type="checkbox"/>

FUNCTIONAL IMPROVEMENTS / CHANGES

- Improved engagement with the bracket

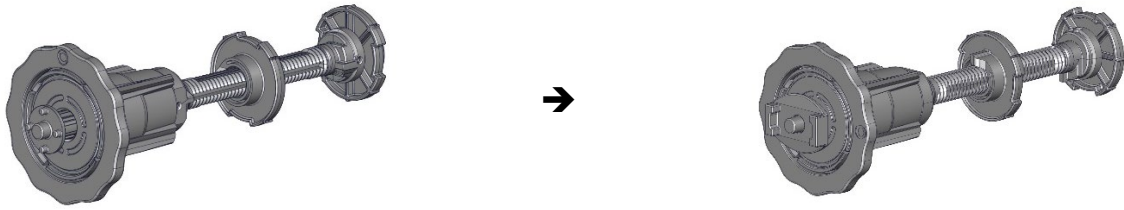
CHANGES MADE	
YES	NO
<input checked="" type="checkbox"/>	<input type="checkbox"/>

AESTHETIC IMPROVEMENTS / CHANGES

CHANGES MADE	
YES	NO
<input type="checkbox"/>	<input checked="" type="checkbox"/>

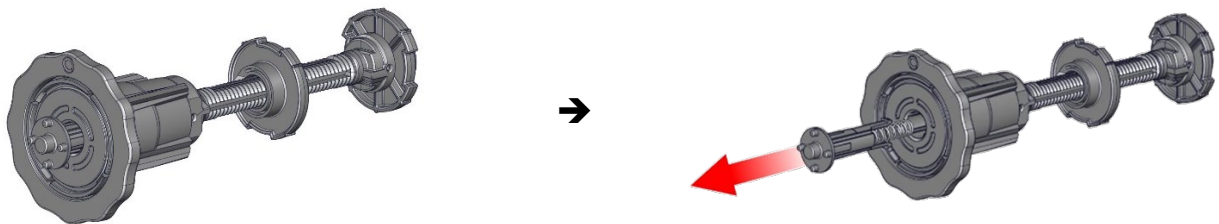
PRODUCT CHANGE - SINGLE STOP LIMITER

Following are the instructions to remove and replace the Limiter pin with the Skyline limiter pin (MG12-6101-xxx901).



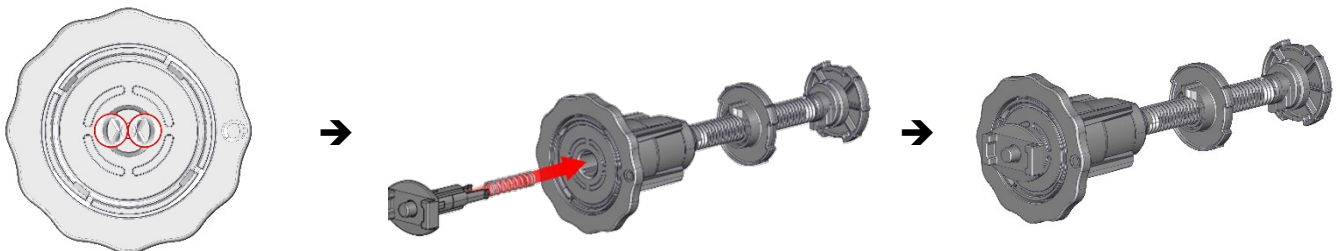
STEP 1 - REMOVE CURRENT LIMITER PIN

Remove the pin by pulling on it. It is held in by snap hooks, they will release under force. KEEP the spring. DISPOSE of the removed pin.



STEP 2 – RE-ASSEMBLE WITH NEW SKYLINE LIMITER PIN

Insert the spring into the pin, replace the pin with the Skyline limiter pin (MG12-6101-xxx901). NOTE the pin legs must align in the holes in the limiter body, otherwise it will not insert correctly.



FUNCTION CHECK

1. Ensure the pin is spring loaded and does not get stuck in the limiter body.
 - a) Fully depress the pin
 - b) The pin must spring back. The pin must not get stuck.
2. After being depressed fully, the pin must extend out minimum 13mm.

Check the following measurement.

