



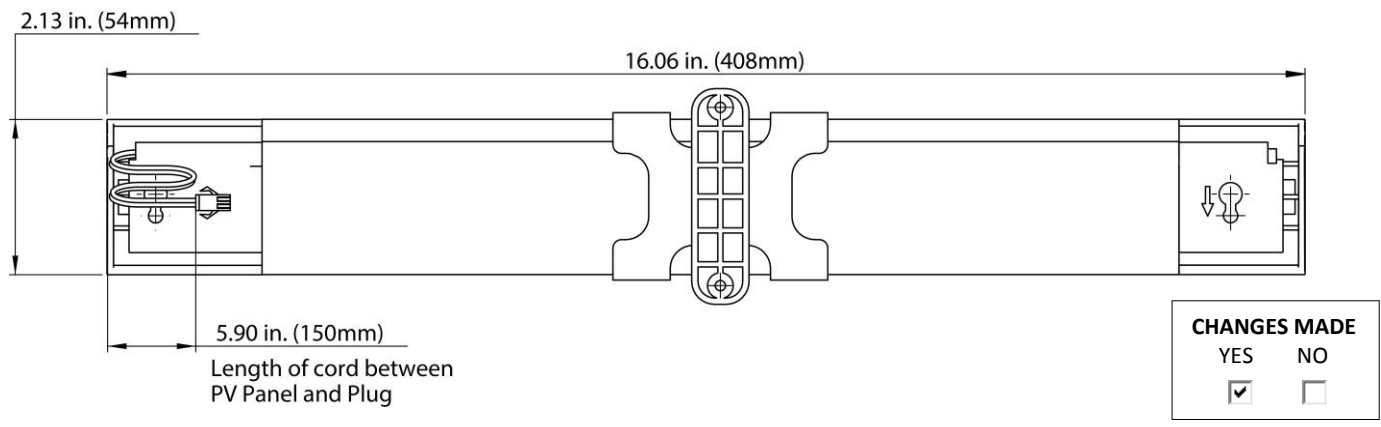
# PRODUCT CHANGE | SOLAR PANEL CHARGER

	DISCONTINUED PRODUCT	REPLACEMENT PRODUCT	CHANGES MADE	
			YES	NO
DESCRIPTION.	Automate   Li-ion Solar Panel Charger – 1.5W	Automate   Li-ion Solar Panel Charger – 1.5W	<input type="checkbox"/>	<input checked="" type="checkbox"/>
CODE.	MTSOLPAN-B	MTSOLPAN-B	<input type="checkbox"/>	<input checked="" type="checkbox"/>
PACK SIZE.	1   10 Sets	1   10 Sets	<input type="checkbox"/>	<input checked="" type="checkbox"/>
PRICE.	Refer relevant price list	Refer relevant price list	<input type="checkbox"/>	<input checked="" type="checkbox"/>
IMAGE.			<input checked="" type="checkbox"/>	<input type="checkbox"/>
USE WITH.	Rollease Acmeda Automate Li-ion Motors		<input type="checkbox"/>	<input checked="" type="checkbox"/>
TRANSITIONING.	Nov 2017			

## IMPROVEMENTS / CHANGES

### PRODUCTION / INSTALLATION IMPROVEMENTS

- The built in Voltage Regulator (VR) for a more streamlined design.
- Shorter cable length eliminates the need for cable ties to be used along window sill.
- Optimised VR electronic circuit increases the battery life span
- Comes complete with isopropyl wipes to clean the contact area prior to direct mount via double sided tape to the window.



### FUNCTIONAL IMPROVEMENTS / CHANGES

- Compatible with new Y cable which supports up to two Solar Panels on 1 Motor, for use in low light conditions

CHANGES MADE	
YES	NO
<input checked="" type="checkbox"/>	<input type="checkbox"/>

### AESTHETIC IMPROVEMENTS / CHANGES

- Panel design to seamlessly integrate onto any window
- The new PV Panel is 10mm longer than previous PV panel
- Removable Bracket and Glass mount option

CHANGES MADE	
YES	NO
<input checked="" type="checkbox"/>	<input type="checkbox"/>