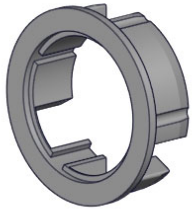



PRODUCT CHANGE | AUTOMATE 45mm to 2.5" Crown

	DISCONTINUED PRODUCT	REPLACEMENT PRODUCT	CHANGES MADE	
			YES	NO
DESCRIPTION.	Crown for 45mm motor in 2.5" tube	AUTOMATE Crown 45mm Motor to 2.5" Tube + Screws	<input checked="" type="checkbox"/>	<input type="checkbox"/>
CODE.	MTCR-45-2.5	MTCR-45-2.5	<input type="checkbox"/>	<input checked="" type="checkbox"/>
PACK SIZE.	100	100	<input type="checkbox"/>	<input checked="" type="checkbox"/>
COLOUR / FINISH.	Black	Black	<input checked="" type="checkbox"/>	<input type="checkbox"/>
IMAGE.			<input checked="" type="checkbox"/>	<input type="checkbox"/>
USE WITH.	AUTOMATE 45mm Motor, 2.5" Ribbed Tube, Motor Silent Pin Idler		<input checked="" type="checkbox"/>	<input type="checkbox"/>
TRANSITIONING.	March 2019			

IMPROVEMENTS / CHANGES

PRODUCTION / INSTALLATION IMPROVEMENTS

- Same deduction as 3.25" hardware
- Improved fitment to the 2.5" tube
- Compatible with Motor Silent Pin Idler

CHANGES MADE
 YES NO

FUNCTIONAL IMPROVEMENTS / CHANGES

- Screws supplied to secure Crown to the Tube

CHANGES MADE
 YES NO

AESTHETIC IMPROVEMENTS / CHANGES

CHANGES MADE
 YES NO