

# NEW PRODUCT | CHAIN TENSIONER - UNIVERSAL FIX

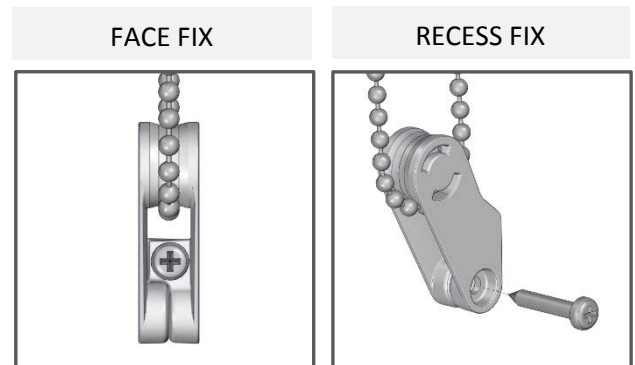
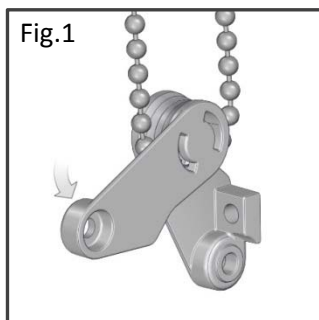
PRODUCT DETAILS	
DESCRIPTION.	Chain Tensioner - Universal Fix
CODE.	RB91-1325-xxx000
PACK SIZE.	50   1,000 sets
PRICE.	\$0.48 p/set
COLOUR / FINISH.	pure white 069, clear 001, black 050
USE WITH.	Plastic or Metal Chain, Metal Chain connectors, Chain stop balls.



## FEATURES & BENEFITS

### PRODUCTION / INSTALLATION FEATURES

- Simple open & close swivel function to easily insert pre-looped chain (refer fig.1)
- *Not recommended for use with Plastic Chain Joiner (VA01-1501-xxx000)*

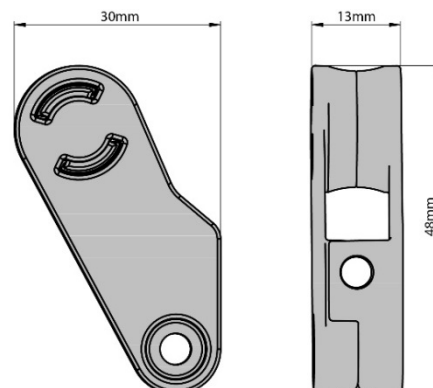


### FUNCTIONAL BENEFITS

- Avoids chain twisting when face fixed/outside mounted.
- Universal Fixing; Face/Outside and Recess/Inside mount.
- A slim profile ensures the tensioner does not impede on fabric & fits neatly within the side opening.
- Contoured chain guide resulting in a smooth and quiet operation.

### AESTHETIC FEATURES

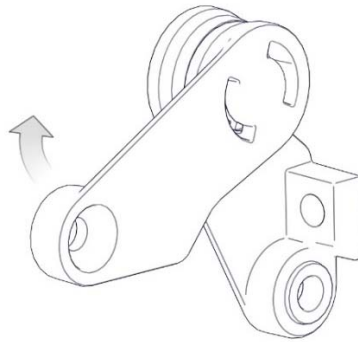
- Discreet Slimline Design



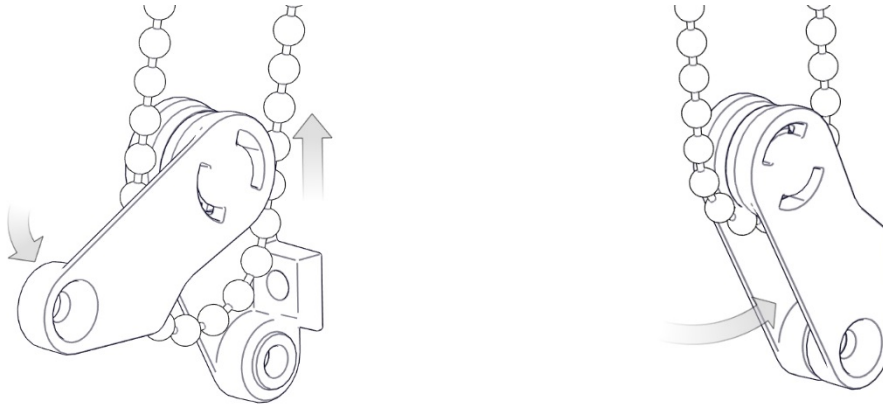
# NEW PRODUCT | CHAIN TENSIONER - UNIVERSAL FIX

## CHAIN TENSIONING HOOK INSTALLATION

### STEP 1 – ROTATE ARMS OF TENSIONER AWAY FROM EACH OTHER



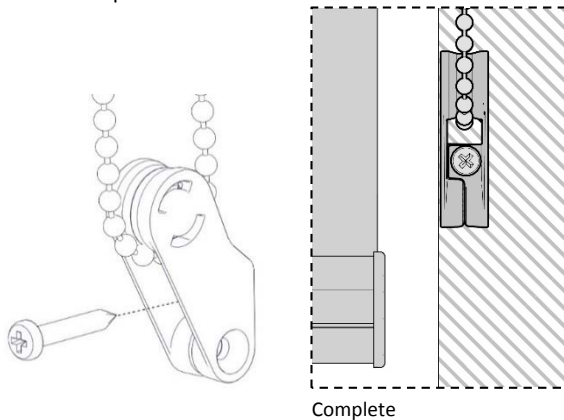
### STEP 2 – INSERT CHAIN BETWEEN TWO ARMS AND ROTATE THEM BACK TO LINE UP



### STEP 3 – TENSION CHAIN AND MOUNT TENSIONER TO WALL WITH SCREW PROVIDED\*

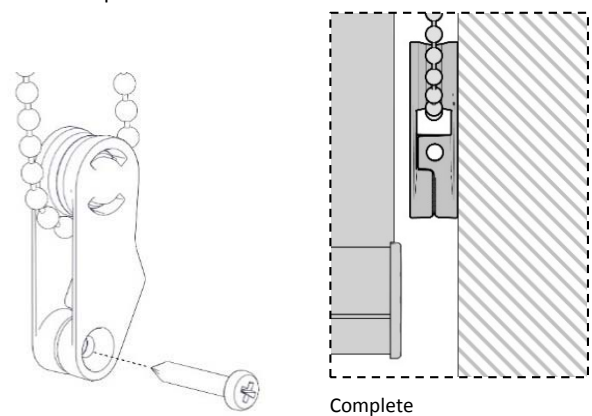
#### FACE FIX

Use screw fixing hole between two body pieces  
\*Timer screw provided



#### RECESS FIX

Use screw fixing hole on side of body  
\*Timer screw provided



#### IMPORTANT NOTE:

- Do not over-tension chain during installation.
- When installing Chain Tensioning devices you must refer to the *Chain Tensioning Devices Installation manual*.