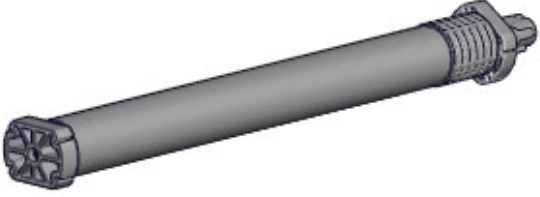
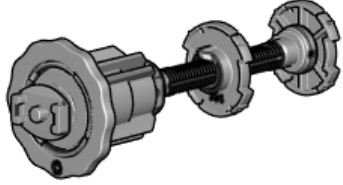


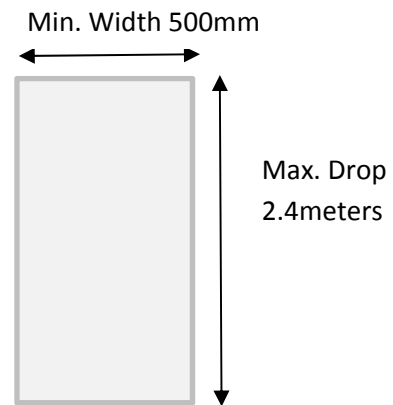
# NEW PRODUCT | NARROW BOOSTER / SHORT LIMITER

PRODUCT DETAILS		
DESCRIPTION.	Booster LH + Decelerator   Narrow S45	Single Stop   Universal Short Limiter S45
CODE.	RB12-4504-050045	RB12-6102-069045
PACK SIZE.	5   10 PIECES	10   80 PIECES
IMAGE.		
USE WITH.	Spring Control, S45 Tube, Single Stop Short Limiter S45	Narrow S45 Booster + Decelerator
AVAILABLE.	01 Feb 2019	

## FEATURES & BENEFITS

### PRODUCTION / INSTALLATION FEATURES

- Minimum Shade width 500mm (with short limiter)
- Max Drop = 2.4m (based on 0.5mm Fabric thickness)
- Maintained Pre-tensioning through Spring Head Control
- Left hand control only



### FUNCTIONAL BENEFITS

- Works with New ESU brackets
- Auto-rise functionality with manual lowering
- Top Limit setting for an easy user experience
- Can be installed onto wall, ceiling & inside/recess fix applications
- Patent protected
- Build in Decelerator for smooth controlled movement

### AESTHETIC FEATURES

- Upgrade with Cassette Range
- Maintained Minimal light gaps