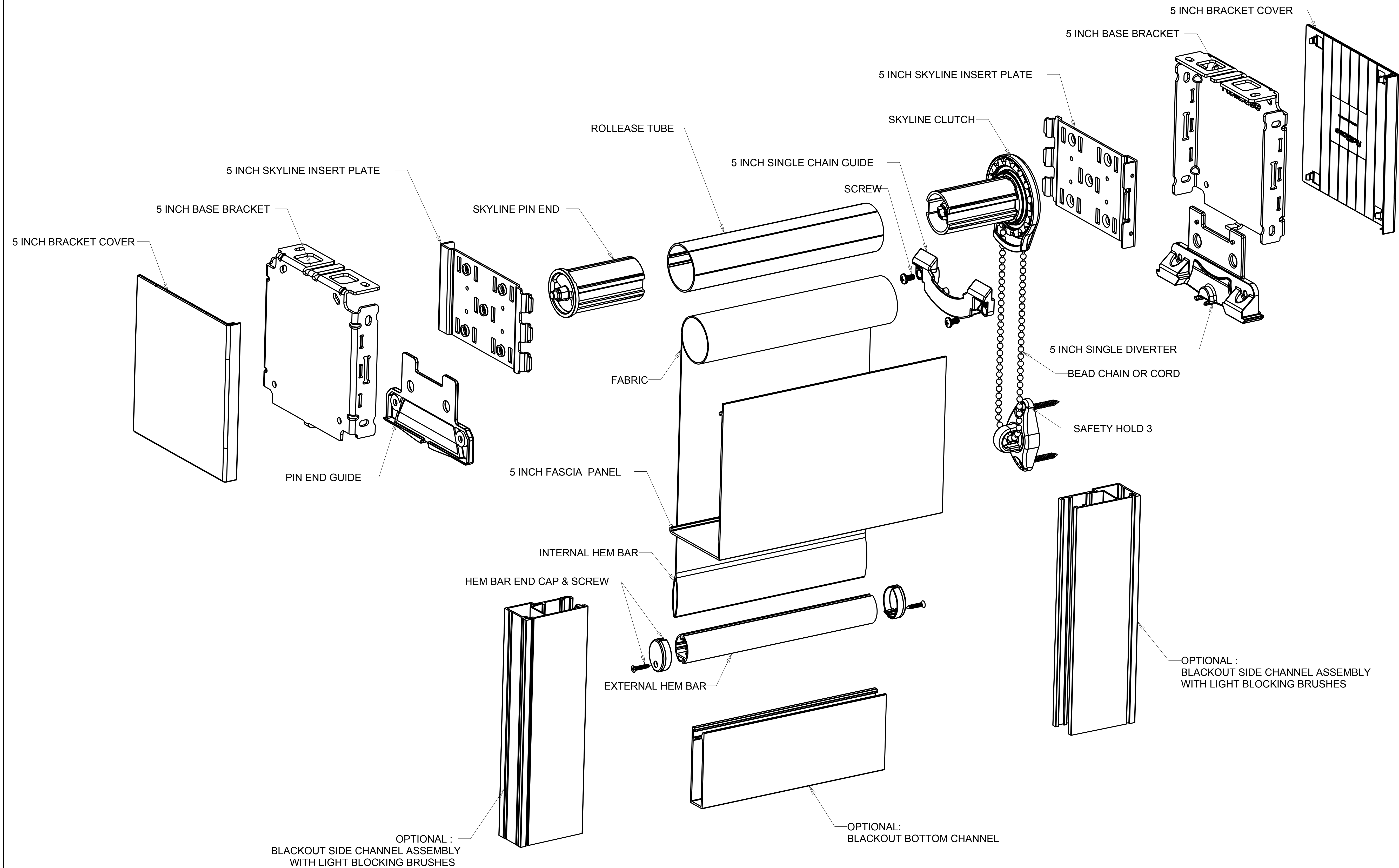
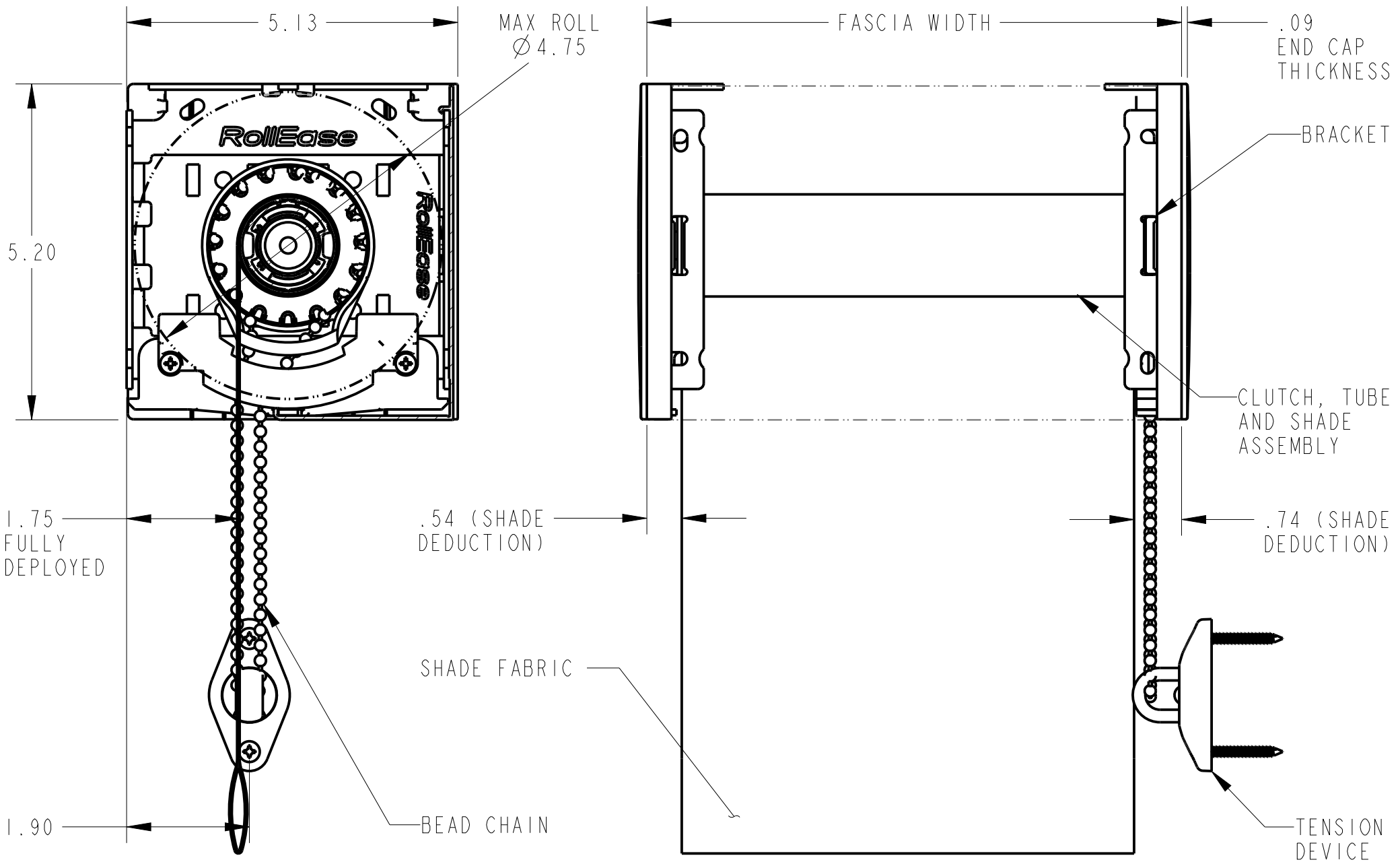


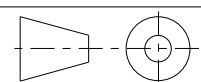
REVISION RECORD				
SYM	DESCRIPTION	BY	DATE	CHK



<small>THIS INFORMATION IS CONFIDENTIAL AND PROPRIETARY TO ROLLEASE, INC. THE POSSESSOR AGREES TO MAINTAIN THIS INFORMATION AS CONFIDENTIAL AND NOT REPRODUCE OR RELEASE IN WHOLE OR IN PART TO ANY THIRD PARTY.</small>	INCHES	<b>RollEase</b> Window Covering Systems		
	TOLERANCES	<small>XXX ± 0.015</small> <small>XXXX ± 0.005</small> <small>ANG ± 1°</small>	<small>DATE</small> <b>JSG</b>	<small>ISSUE</small> <b>ASSY 5 INCH FASCIA SINGLE SHADE</b>
	DATE	<small>SCALE</small> <b>D</b>	<small>SCALE</small> <b>1/1</b>	<small>SEE DETAIL NOTES</small> <b>1.13</b>
	<small>DATE</small> <b>21FEB13</b>	<small>SCALE</small> <b>D</b>	<small>SCALE</small> <b>1/1</b>	<small>SCALE</small> <b>002P046</b>



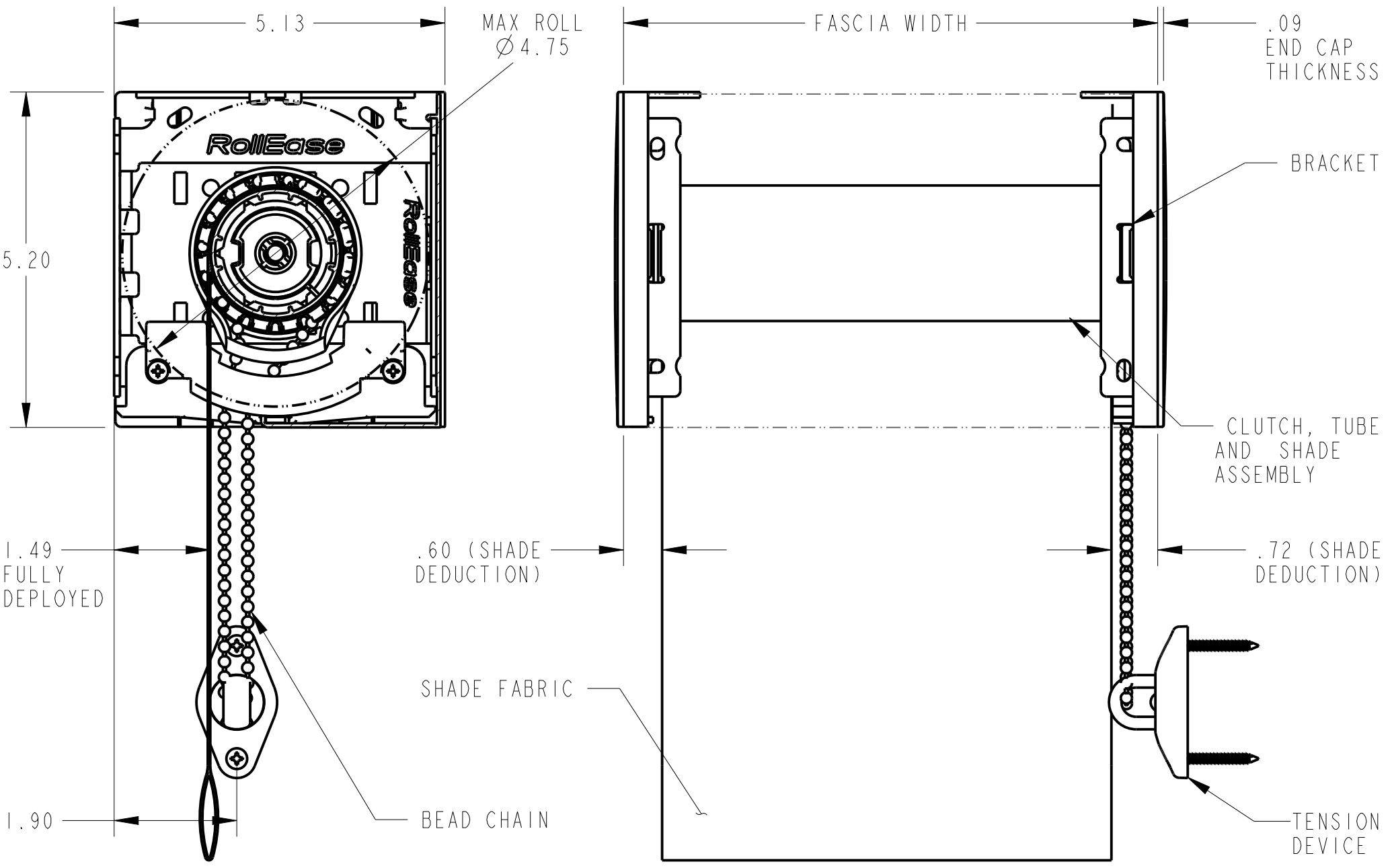
RollEase Headquarters  
 200 Harvard Avenue  
 Stamford, CT 06902-6320 USA  
 Office: 203.964.1573/ 800.552.5100  
 www.rollease.com



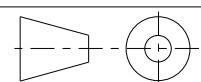
SCALE  
 NOT TO SCALE. DIMENSIONS IN INCHES.

DRAWN BY  
 JAC

REVISION  
 I



RollEase Headquarters  
 200 Harvard Avenue  
 Stamford, CT 06902-6320 USA  
 Office: 203.964.1573/ 800.552.5100  
 www.rollease.com



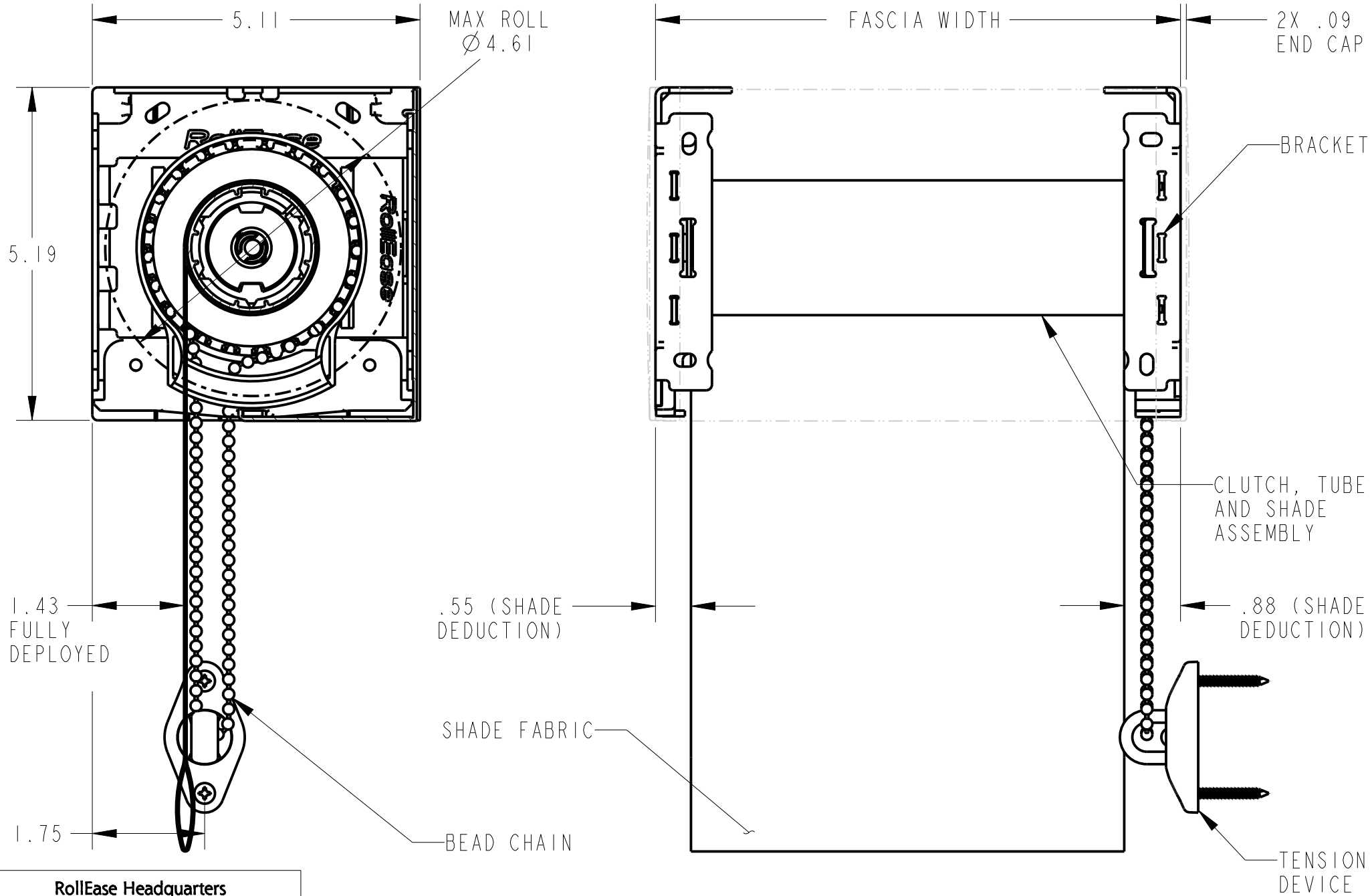
SCALE: NOT TO SCALE. DIMENSIONS IN INCHES.

DRAWN BY: JAC

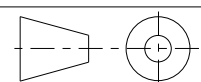
REVISION: I

SKYLINE 5 IN FASCIA, SL30H53/RGAL400H/RGAL400SAH CLUTCH, RTEA5  
2.0 DIA TUBE, RA2 ADAPTER, RE002201/0202 BRACKET

A1051



RollEase Headquarters  
200 Harvard Avenue  
Stamford, CT 06902-6320 USA  
Office: 203.964.1573/ 800.552.5100  
www.rollease.com



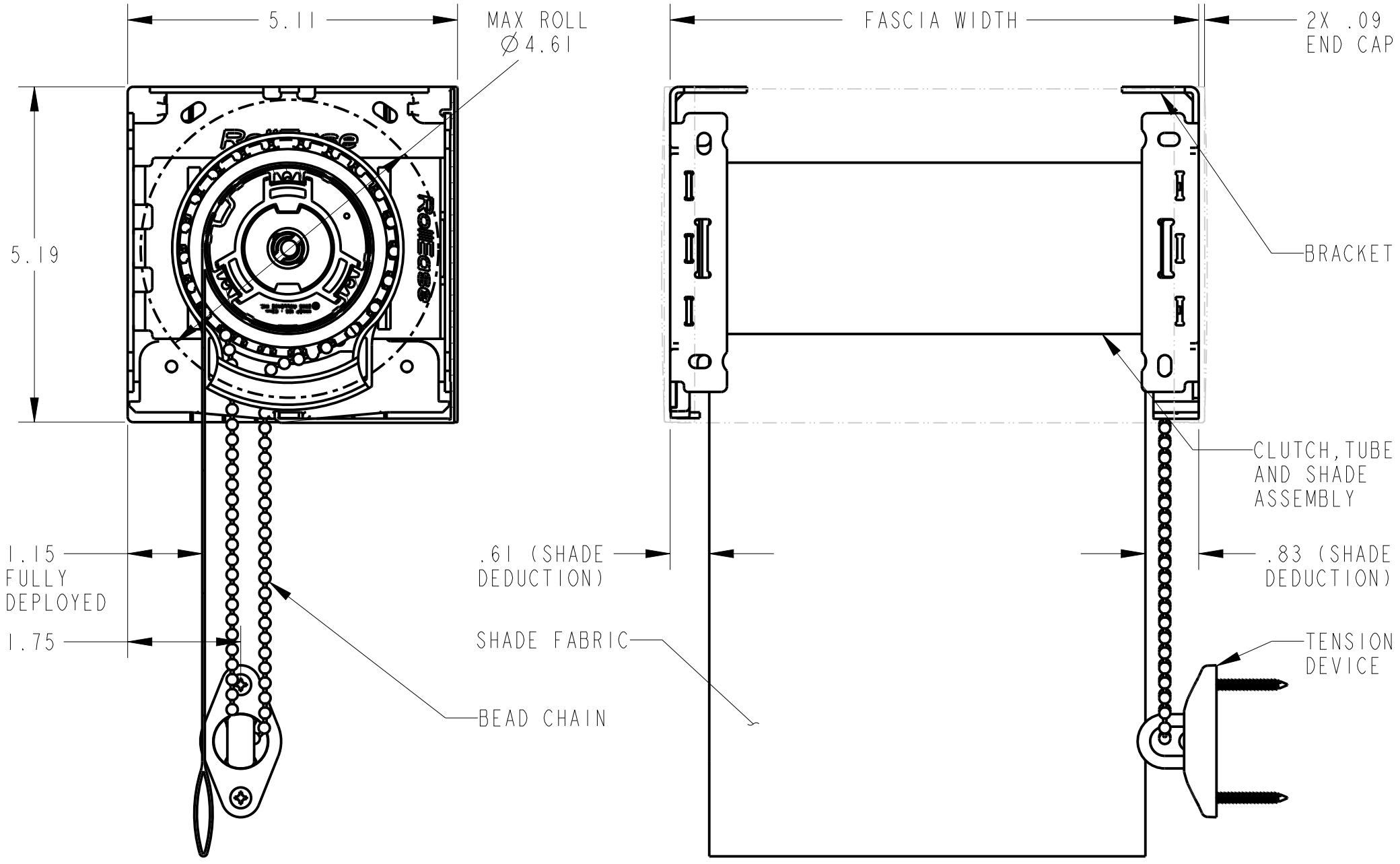
SCALE  
NOT TO SCALE. DIMENSIONS IN INCHES.

DRAWN BY  
JSG

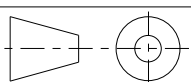
REVISION  
I

SKYLINE 5 IN FASCIA, SL30H53/RGAL400H/RGAL400SAH CLUTCH, RTEA6/7  
2.5/3.25 DIA TUBE, RA25 ADAPTER, RE002201/0202 BRACKET

A1046



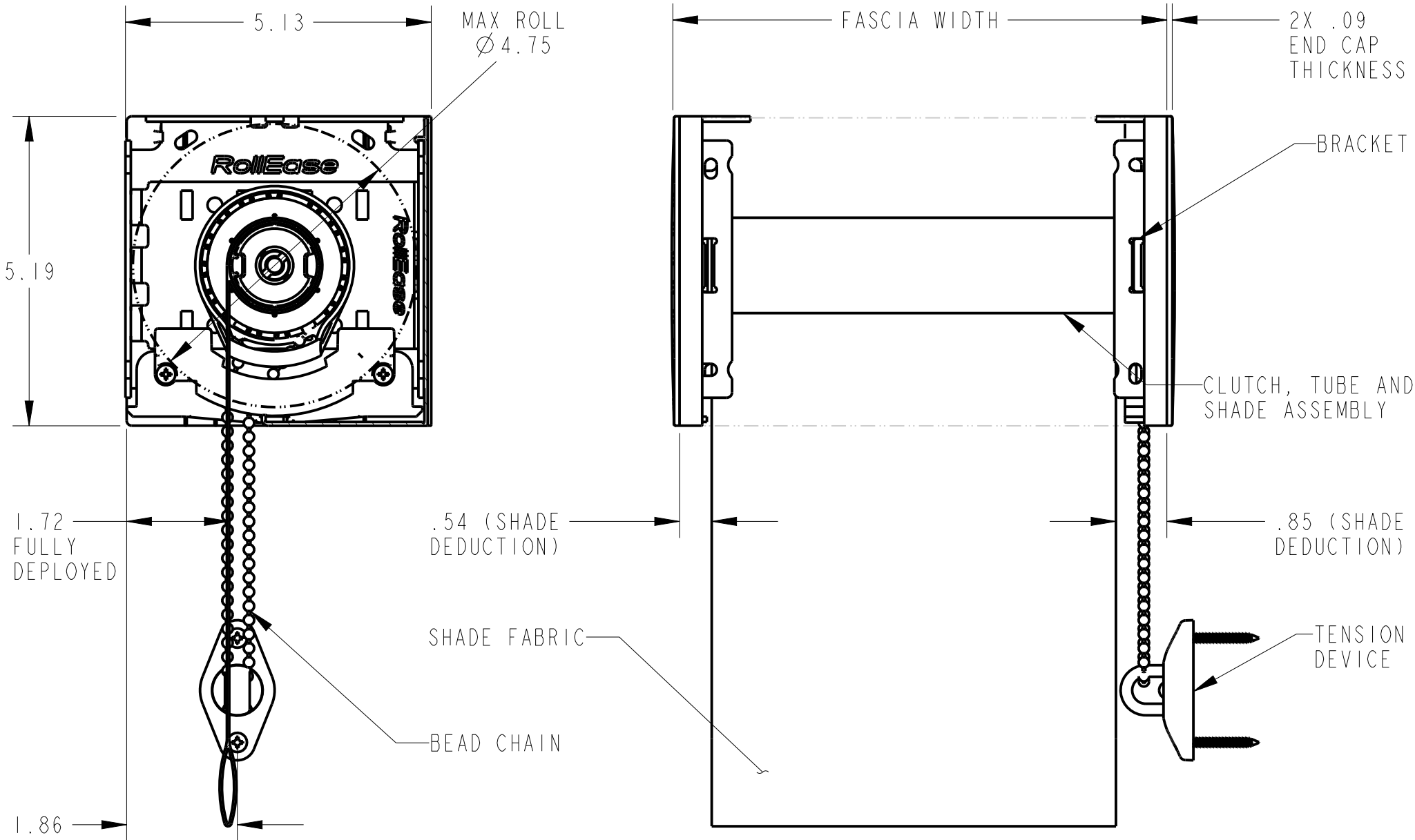
RollEase Headquarters  
200 Harvard Avenue  
Stamford, CT 06902-6320 USA  
Office: 203.964.1573/ 800.552.5100  
www.rollease.com



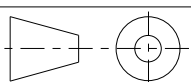
SCALE  
NOT TO SCALE. DIMENSIONS IN INCHES.

DRAWN BY  
JSG

REVISION  
I



RollEase Headquarters  
 200 Harvard Avenue  
 Stamford, CT 06902-6320 USA  
 Office: 203.964.1573/ 800.552.5100  
 www.rollease.com



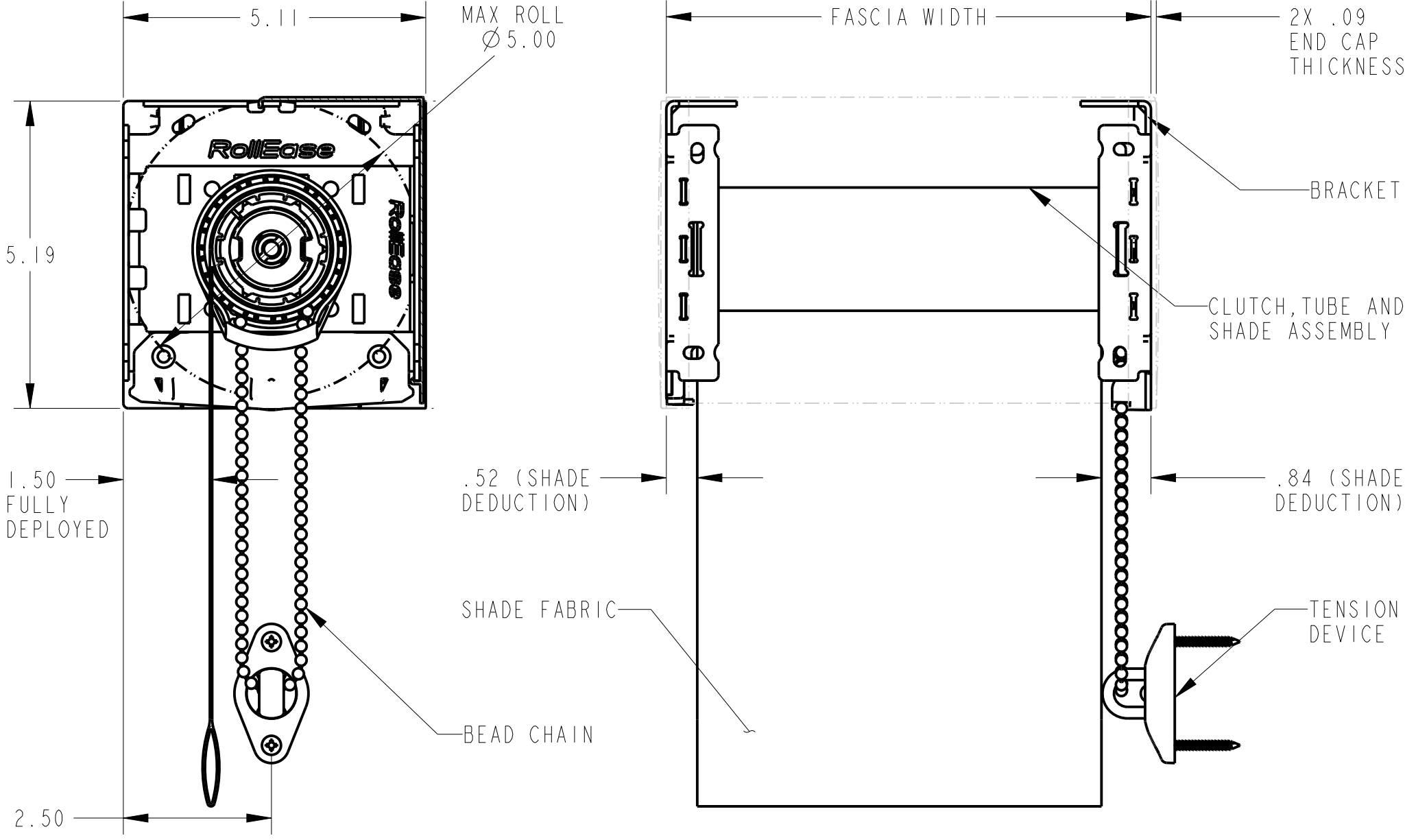
SCALE  
 NOT TO SCALE. DIMENSIONS IN INCHES.

DRAWN BY  
 EnZ

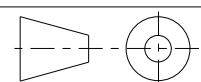
REVISION  
 I

SKYLINE 5 IN FASCIA , RGAH/RGALSAH CLUTCH, RTEA5 2.0 DIA TUBE, RA2 ADAPTER, RE002201/0202 BRACKET

A1033



RollEase Headquarters  
 200 Harvard Avenue  
 Stamford, CT 06902-6320 USA  
 Office: 203.964.1573/ 800.552.5100  
 www.rollease.com

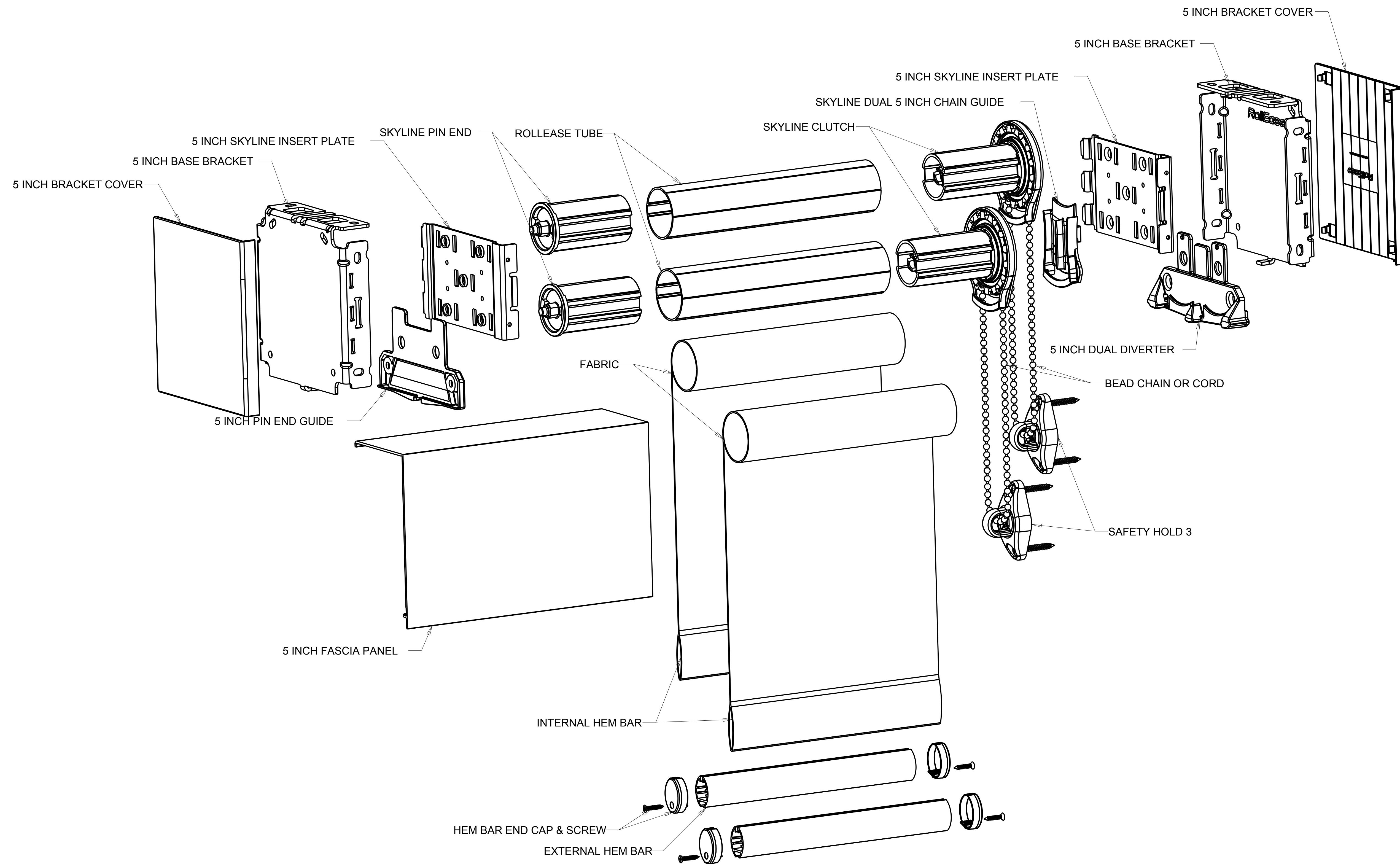


SCALE  
 NOT TO SCALE. DIMENSIONS IN INCHES.

DRAWN BY  
 EnZ

REVISION  
 I

REVISION RECORD				
SYM	DESCRIPTION	BY	DATE	CHK

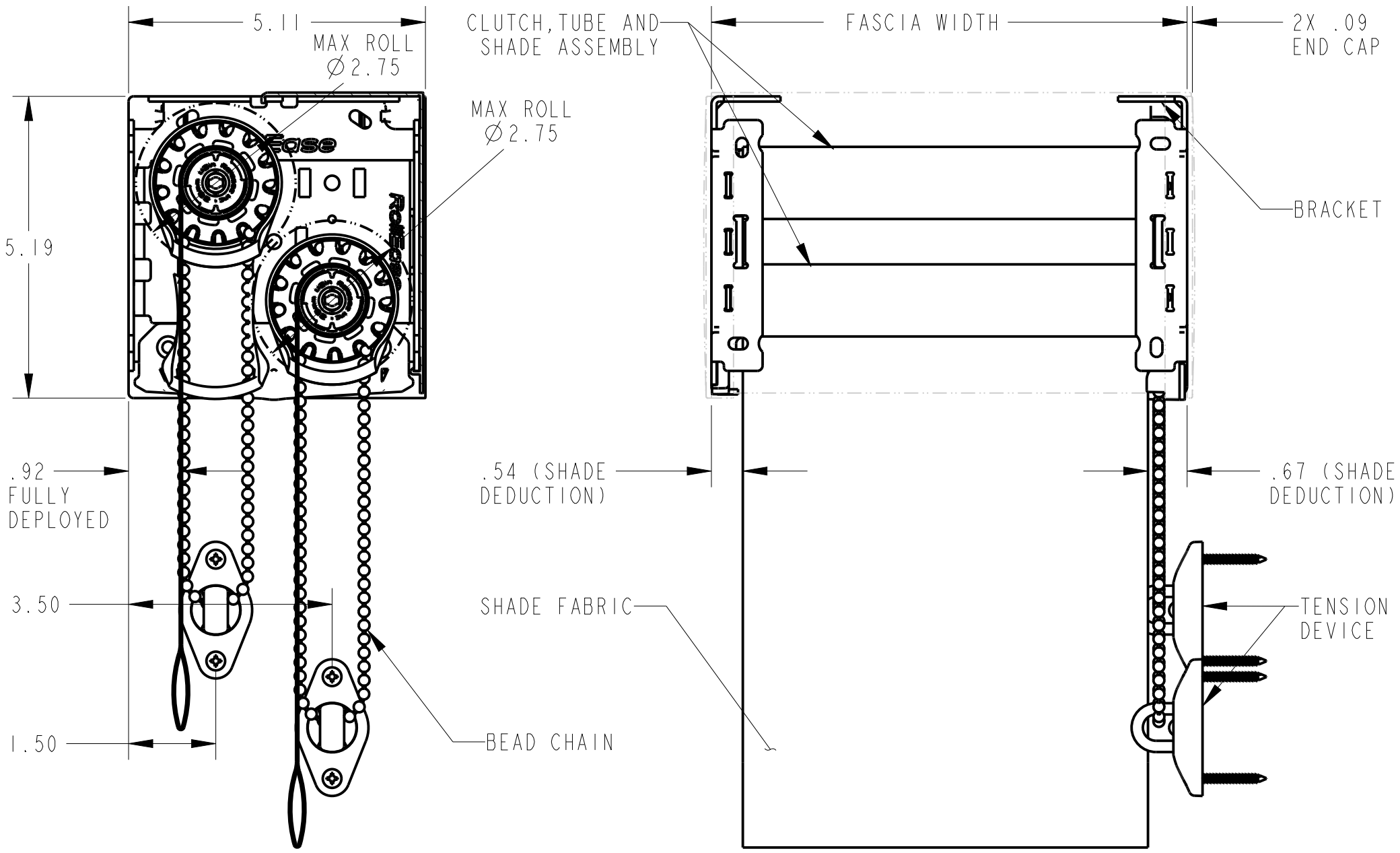


<small>THIS INFORMATION IS CONFIDENTIAL AND PROPRIETARY TO ROLLESE, INC. THE POSSESSOR AGREES TO MAINTAIN THIS INFORMATION AS CONFIDENTIAL, NOT REPRODUCE OR DISSEMINATE IN WHOLE OR IN PART TO ANY THIRD PARTY.</small>	INCHES	<b>RollEase</b> Window Covering Systems		
	TOLERANCES	<small>XXX ± 0.015</small> <small>XXXX ± 0.005</small> <small>ANG ± 1°</small>	<small>DESIGNED BY</small> <b>JSG</b>	<small>DATE</small> <b>22FEB13</b>
	<small>SCALE</small> <b>D</b>	<small>SCALE</small> <b>1/1</b>	<small>ISSUE NO.</small> <b>002P047</b>	<small>REV.</small> <b>1.8</b>
	<small>SEE DETAIL NOTES</small>			

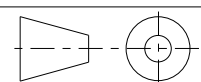


SKYLINE 5 IN FASCIA, DUAL SHADE SL15H01 CLUTCH, RTEA2 1.125 DIA TUBE, RE002201/0202 BRACKET

A1059



RollEase Headquarters  
 200 Harvard Avenue  
 Stamford, CT 06902-6320 USA  
 Office: 203.964.1573/ 800.552.5100  
 www.rollease.com



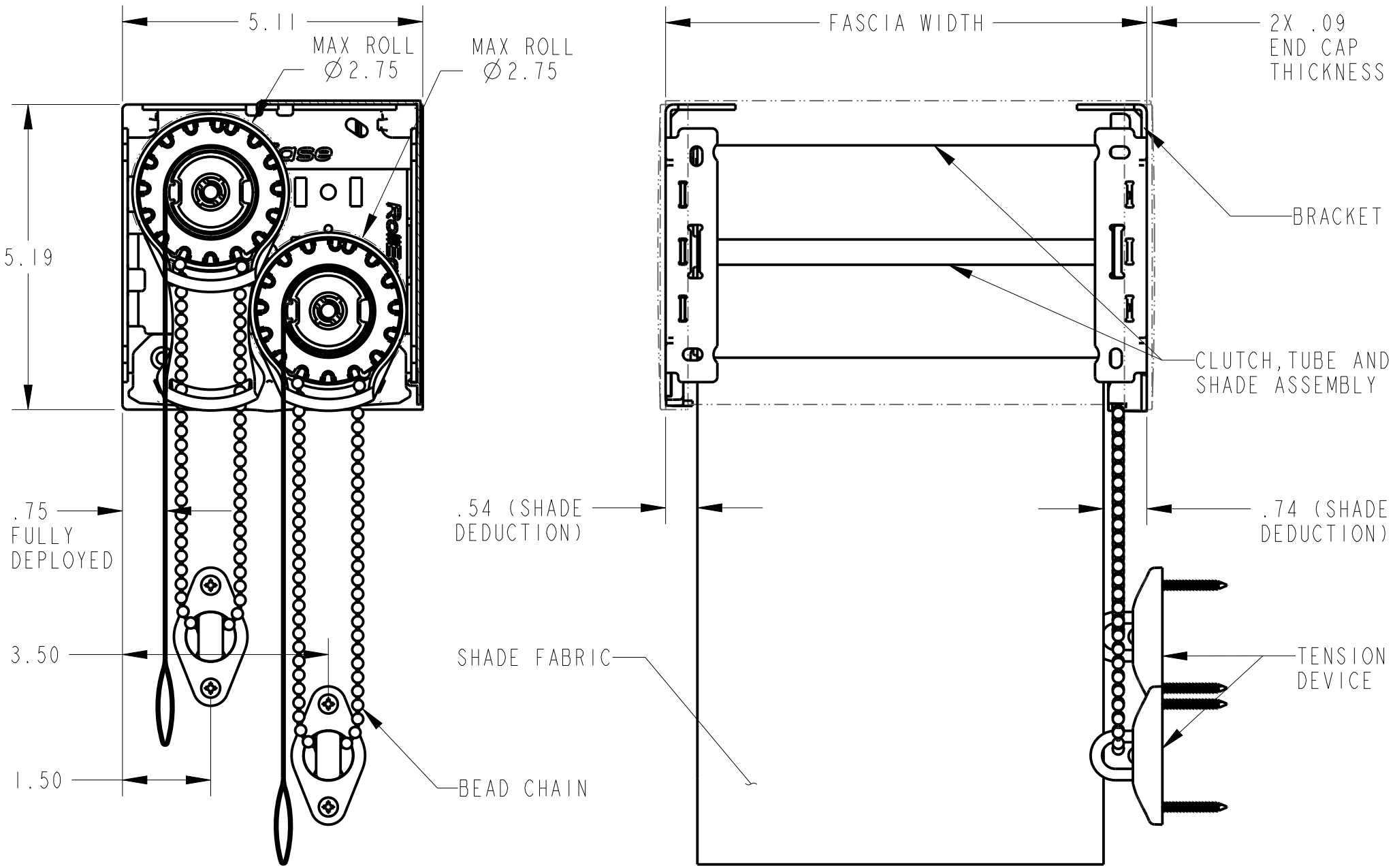
SCALE  
 NOT TO SCALE. DIMENSIONS IN INCHES.

DRAWN BY  
 EnZ

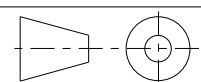
REVISION  
 I

SKYLINE 5 IN FASCIA DUAL SHADE SL20H53 CLUTCH, RTEA4 1.5 DIA TUBE, RE002201/0202 BRACKET

A1004



RollEase Headquarters  
 200 Harvard Avenue  
 Stamford, CT 06902-6320 USA  
 Office: 203.964.1573/ 800.552.5100  
 www.rollease.com



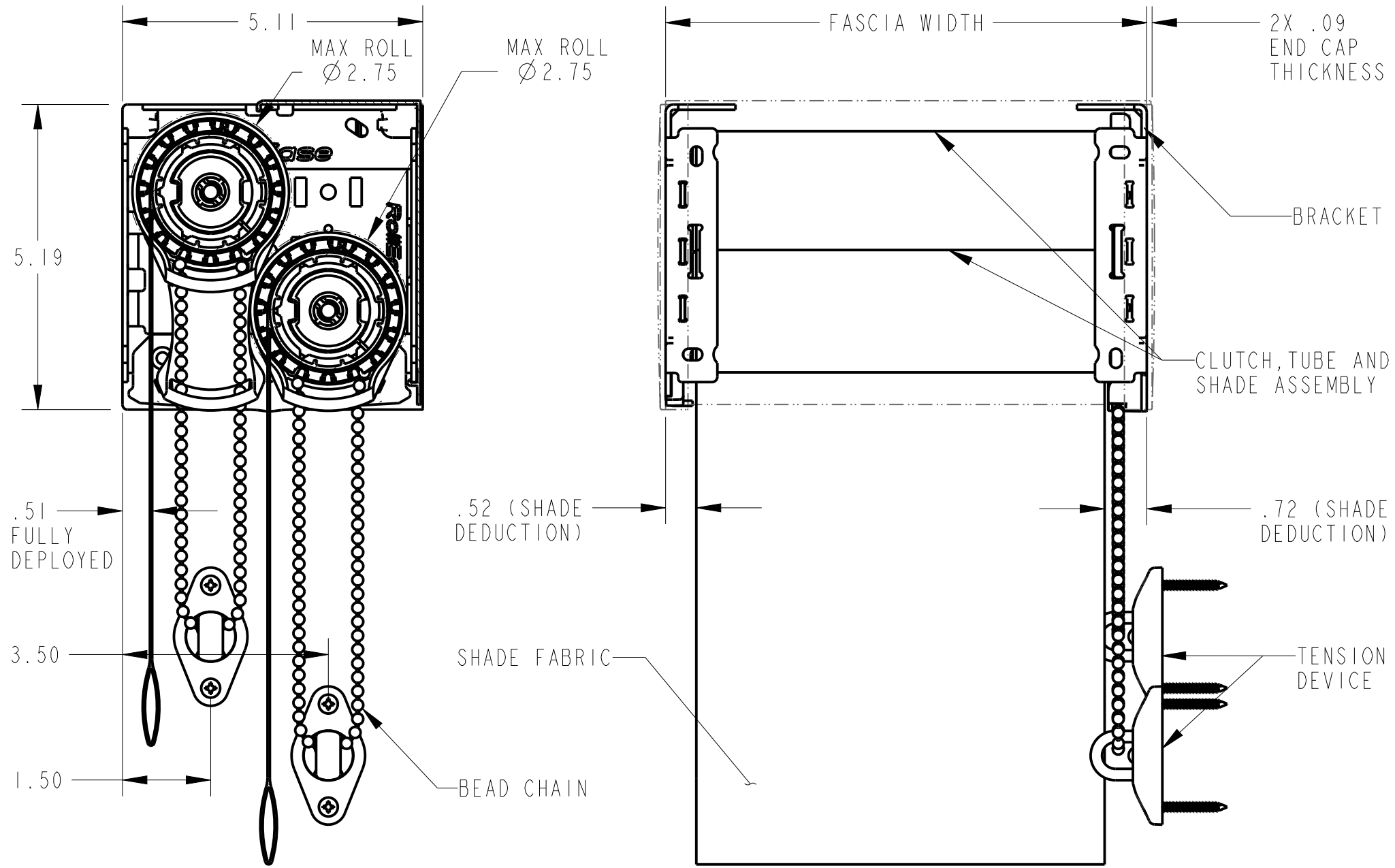
SCALE  
 NOT TO SCALE. DIMENSIONS IN INCHES.

DRAWN BY  
 EnZ

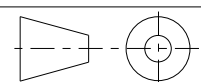
REVISION  
 I

SKYLINE 5 IN FASCIA DUAL SHADE SL20H53 CLUTCH, RTEA2 2.0 DIA TUBE, RE002201/0202 BRACKET

A1014



RollEase Headquarters  
 200 Harvard Avenue  
 Stamford, CT 06902-6320 USA  
 Office: 203.964.1573/ 800.552.5100  
 www.rollease.com



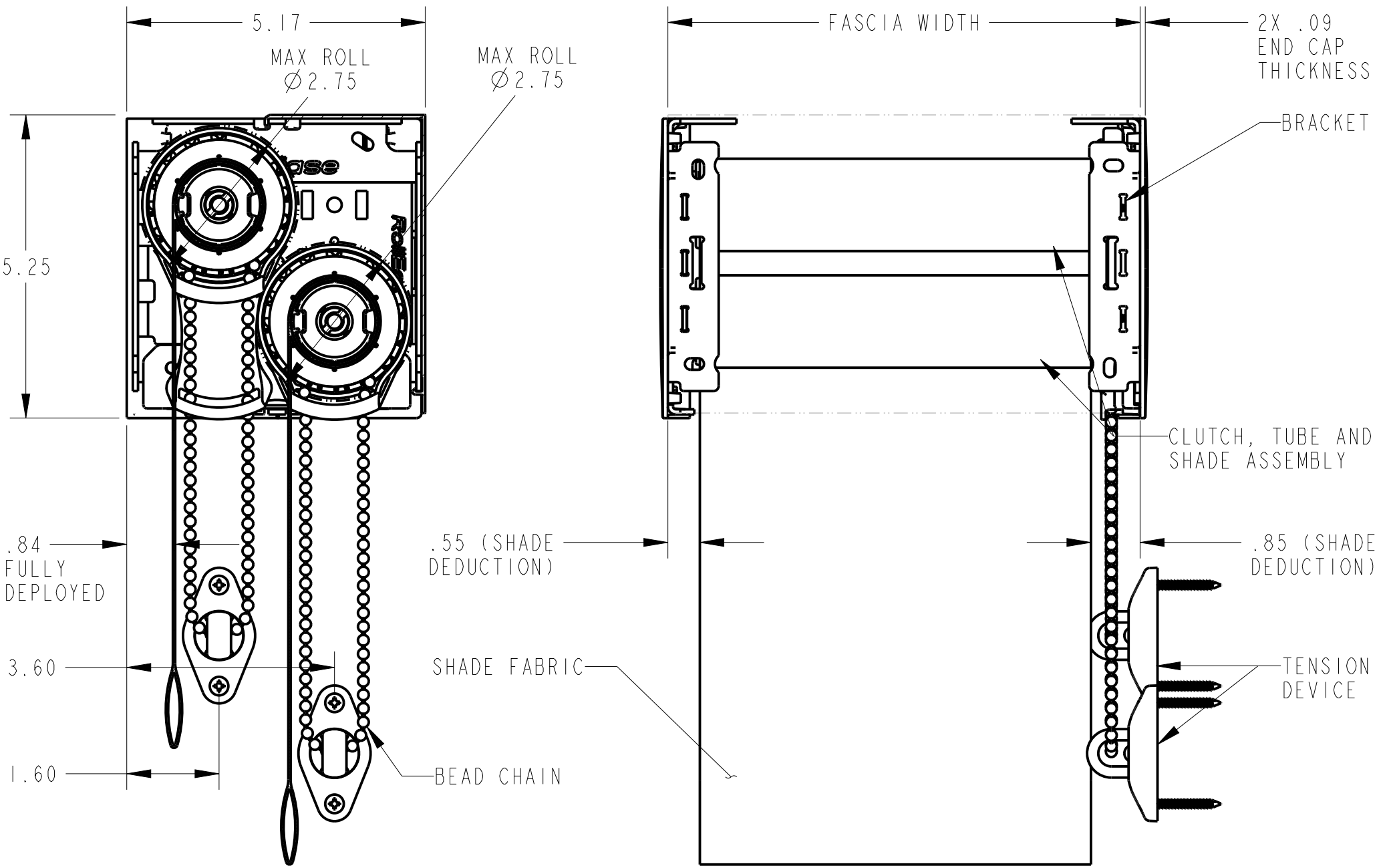
SCALE  
 NOT TO SCALE. DIMENSIONS IN INCHES.

DRAWN BY  
 EnZ

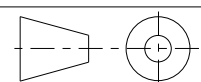
REVISION  
 I

SKLYINE 5 IN FASCIA, DUAL SHADE RGAH/RGALSAH CLUTCH,  
RTEA4 1.5 DIA TUBE, RE002201/0202 BRACKET

A1024



RollEase Headquarters  
200 Harvard Avenue  
Stamford, CT 06902-6320 USA  
Office: 203.964.1573/ 800.552.5100  
www.rollease.com



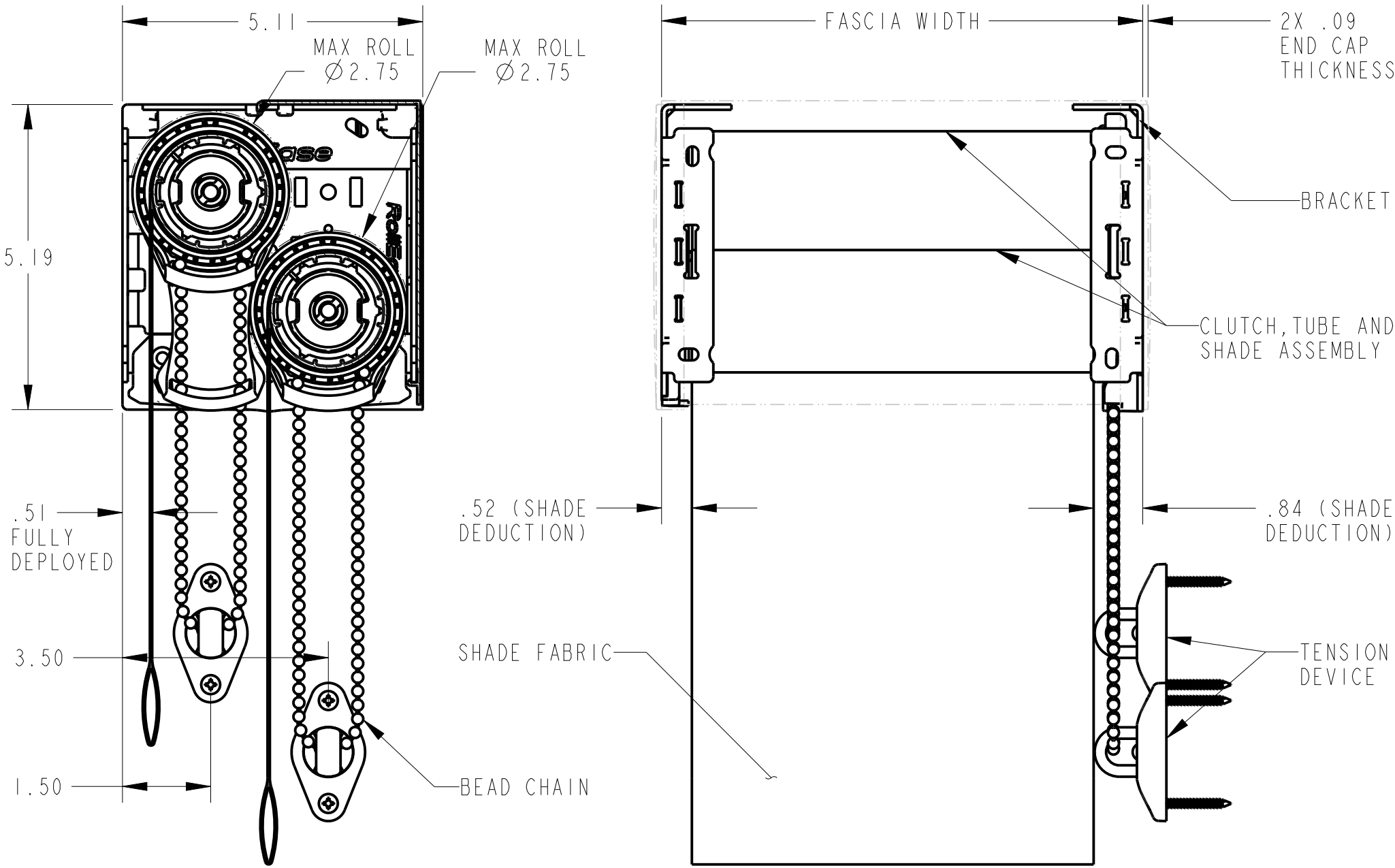
SCALE  
NOT TO SCALE. DIMENSIONS IN INCHES.

DRAWN BY  
EnZ

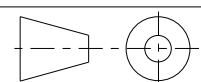
REVISION  
I

SKYLINE 5 IN FASCIA DUAL SHADE RGH/H/RGALSAH CLUTCH, RTEA2 2.0 DIA TUBE, RE002201/0202 BRACKET

A1034



RollEase Headquarters  
 200 Harvard Avenue  
 Stamford, CT 06902-6320 USA  
 Office: 203.964.1573/ 800.552.5100  
 www.rollease.com



SCALE  
 NOT TO SCALE. DIMENSIONS IN INCHES.

DRAWN BY  
 EnZ

REVISION  
 I