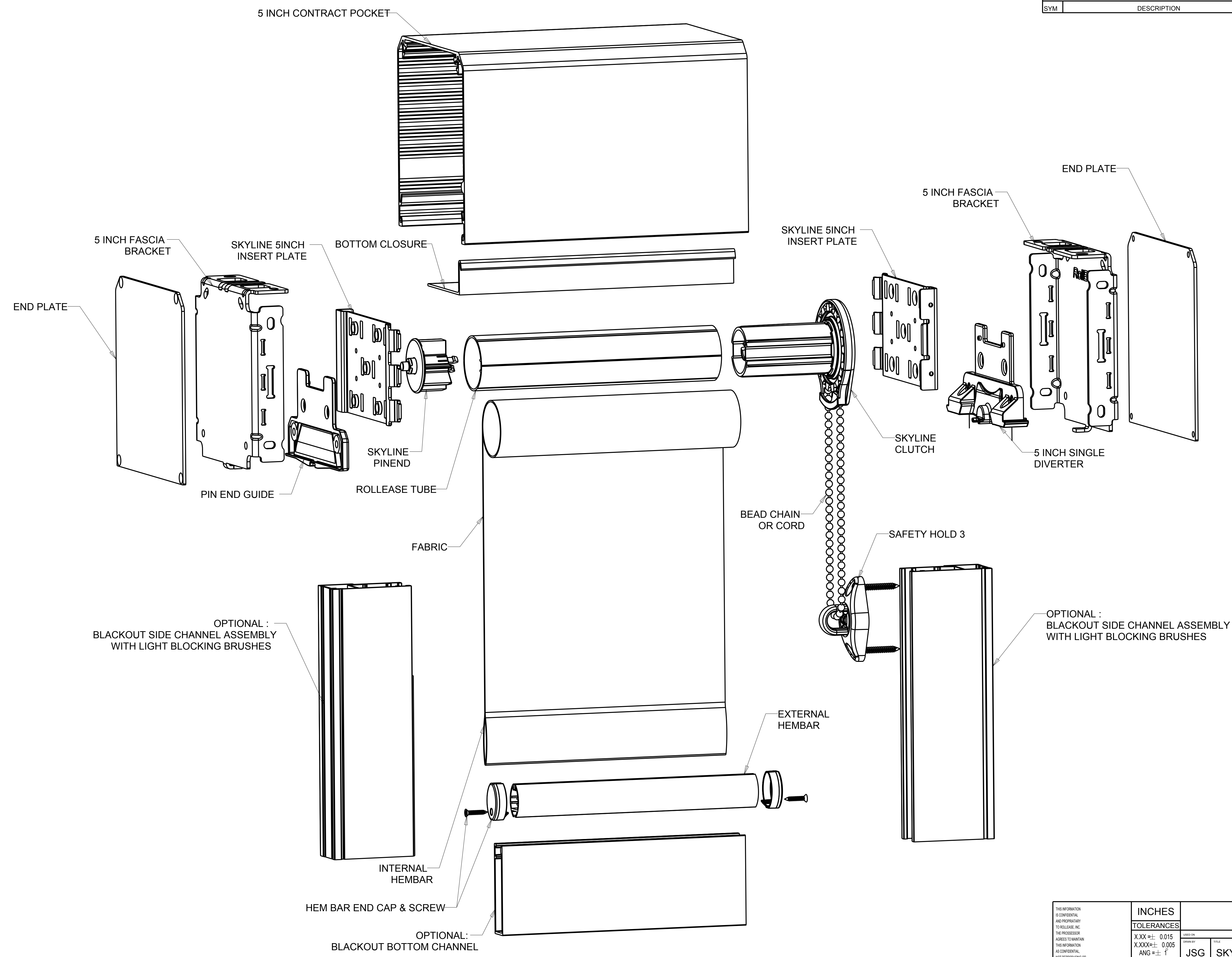
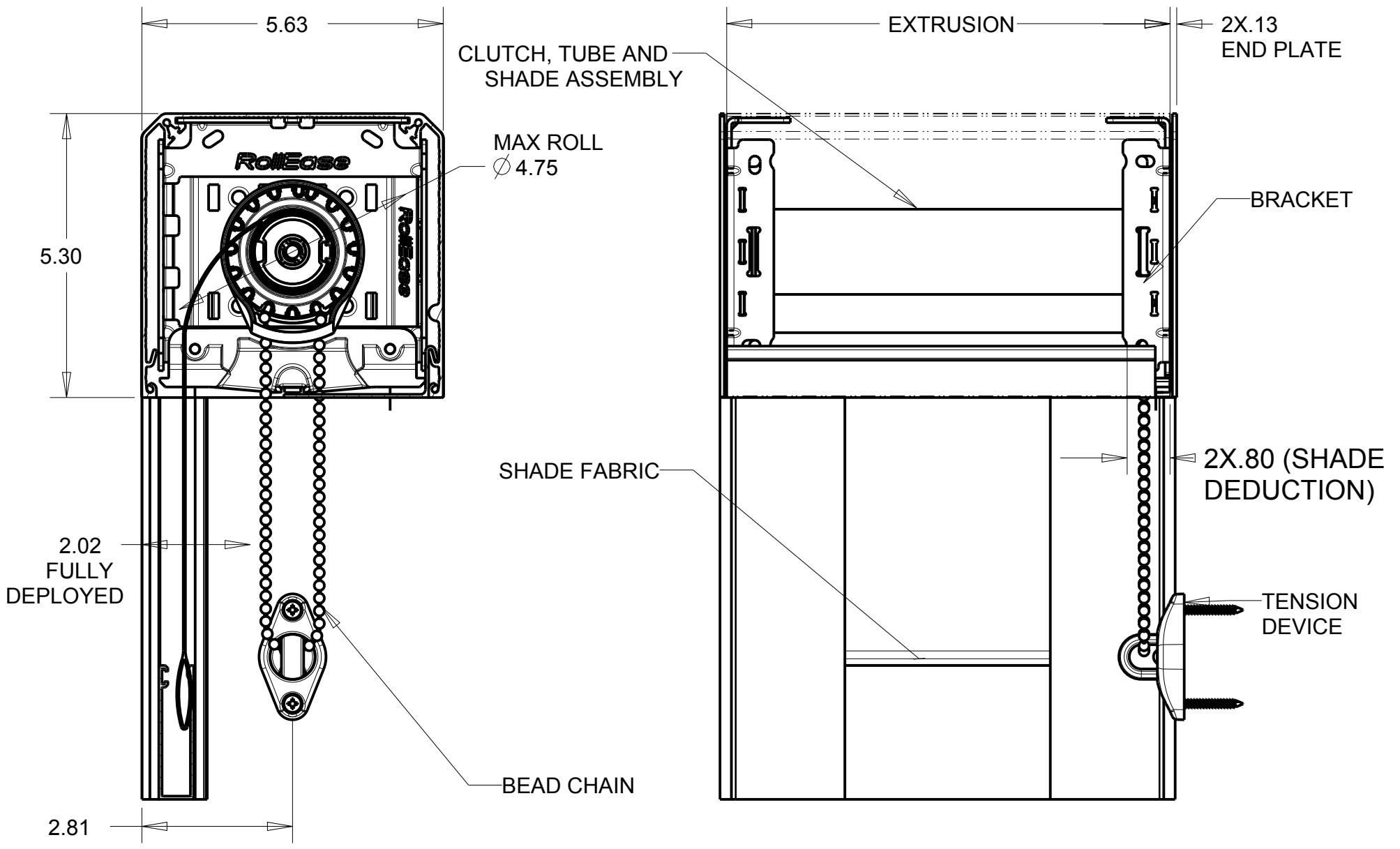


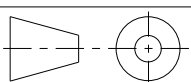
REVISION RECORD				
SYM	DESCRIPTION	BY	DATE	CHK



<small>THIS INFORMATION IS CONFIDENTIAL AND PROPRIETARY TO ROLLEASE, INC. THE POSSESSOR AGREES TO MAINTAIN THIS INFORMATION AS CONFIDENTIAL, NOT REPRODUCING OR DISSEMINATE IN WHOLE OR IN PART TO ANY THIRD PARTY.</small>	<b>INCHES</b>	<b>RollEase</b>		
	<b>TOLERANCES</b>	Window Covering Systems		
	X.XX ± 0.015 X.XXX ± 0.005 ANG ± 1°	DESIGNED BY	TITLE	SCALE
	DATE	ISSUE	ENGINEERING DRAWING NUMBER	REV
20JUN14	D	1/1	A1065	1



RollEase Headquarters  
 200 Harvard Avenue  
 Stamford, CT 06902-6320 USA  
 Office: 203.964.1573/ 800.552.5100  
 www.rollease.com



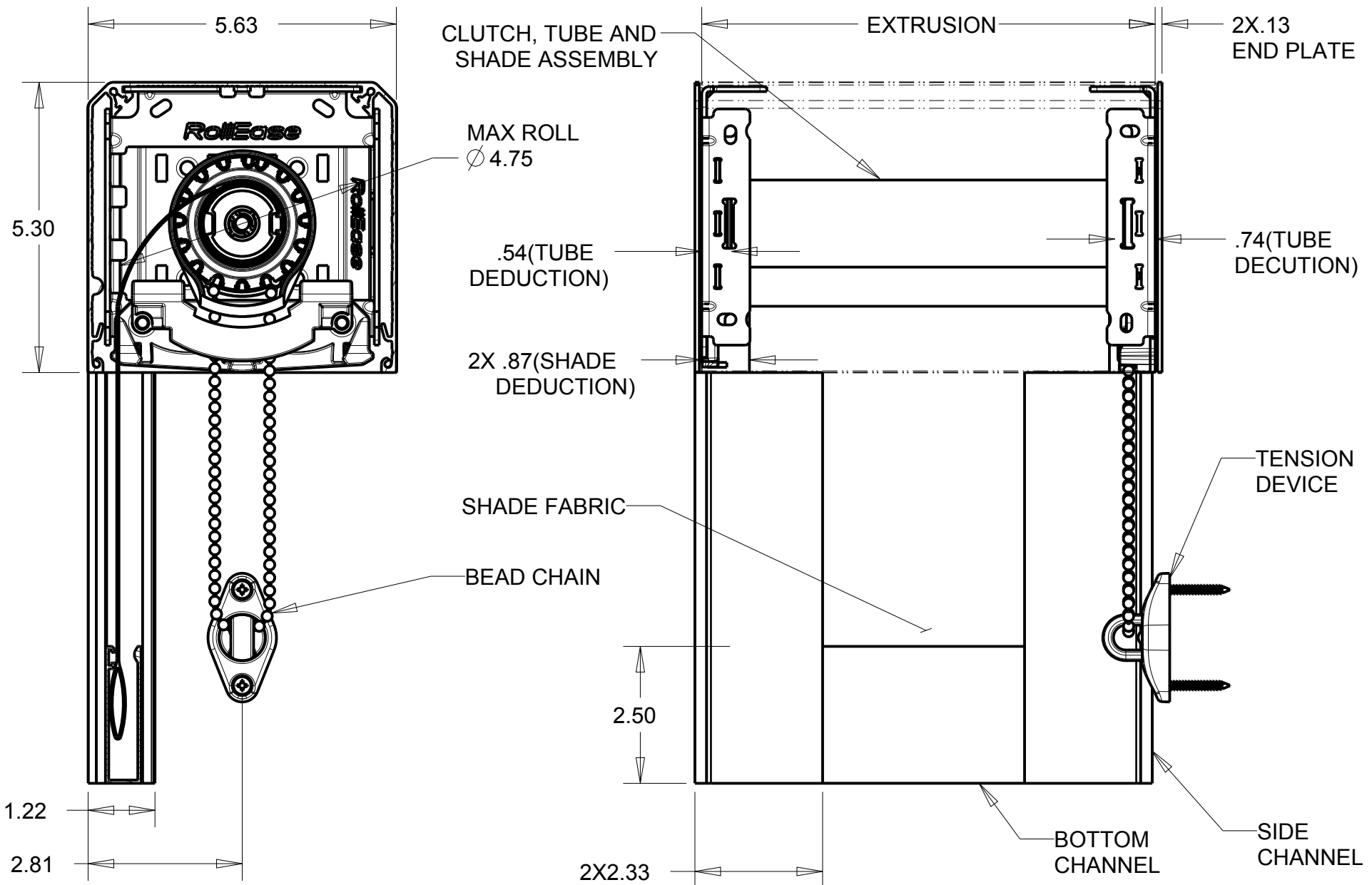
SCALE  
**NOT TO SCALE. DIMENSIONS IN INCHES.**

DRAWN BY  
**MCC**

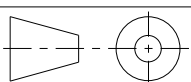
REVISION  
**1**

SKYLINE 5 IN CONTRACT , SL20H53 CLUTCH, RTEA4 1.5 DIA TUBE,  
RE00201/0202 BRACKET w/SIDE CHANNELS

A1072



RollEase Headquarters  
200 Harvard Avenue  
Stamford, CT 06902-6320 USA  
Office: 203.964.1573/ 800.552.5100  
www.rollease.com



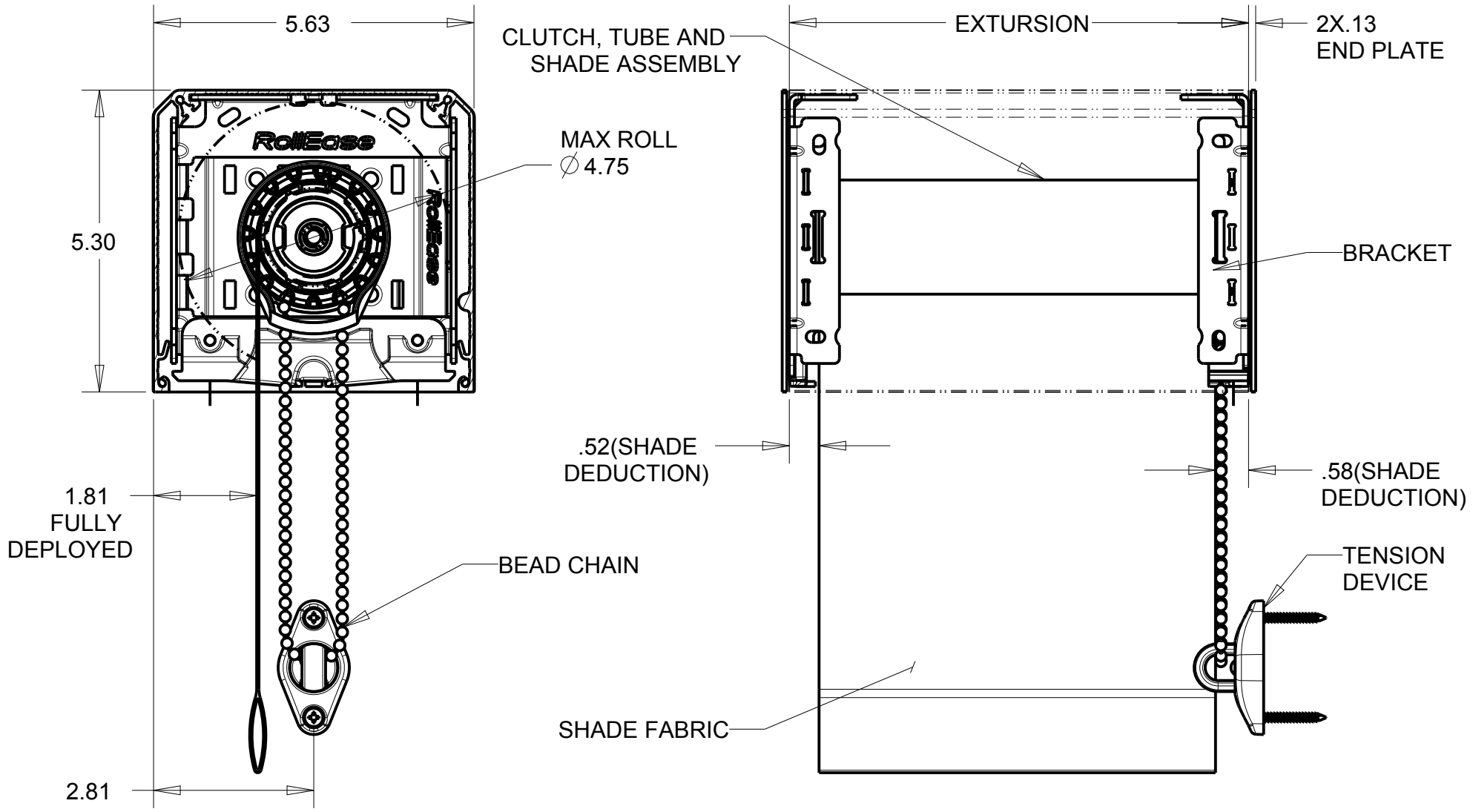
SCALE  
**NOT TO SCALE. DIMENSIONS IN INCHES.**

DRAWN BY  
**MCC**

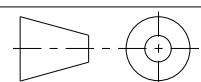
REVISION  
**1**

SKYLINE 5 IN CONTRACT , SL20H53 CLUTCH, RTEA5 2.0 DIA TUBE,  
RA2 ADAPTER, RE00201/0202 BRACKET

A1066



RollEase Headquarters  
200 Harvard Avenue  
Stamford, CT 06902-6320 USA  
Office: 203.964.1573/ 800.552.5100  
www.rollease.com

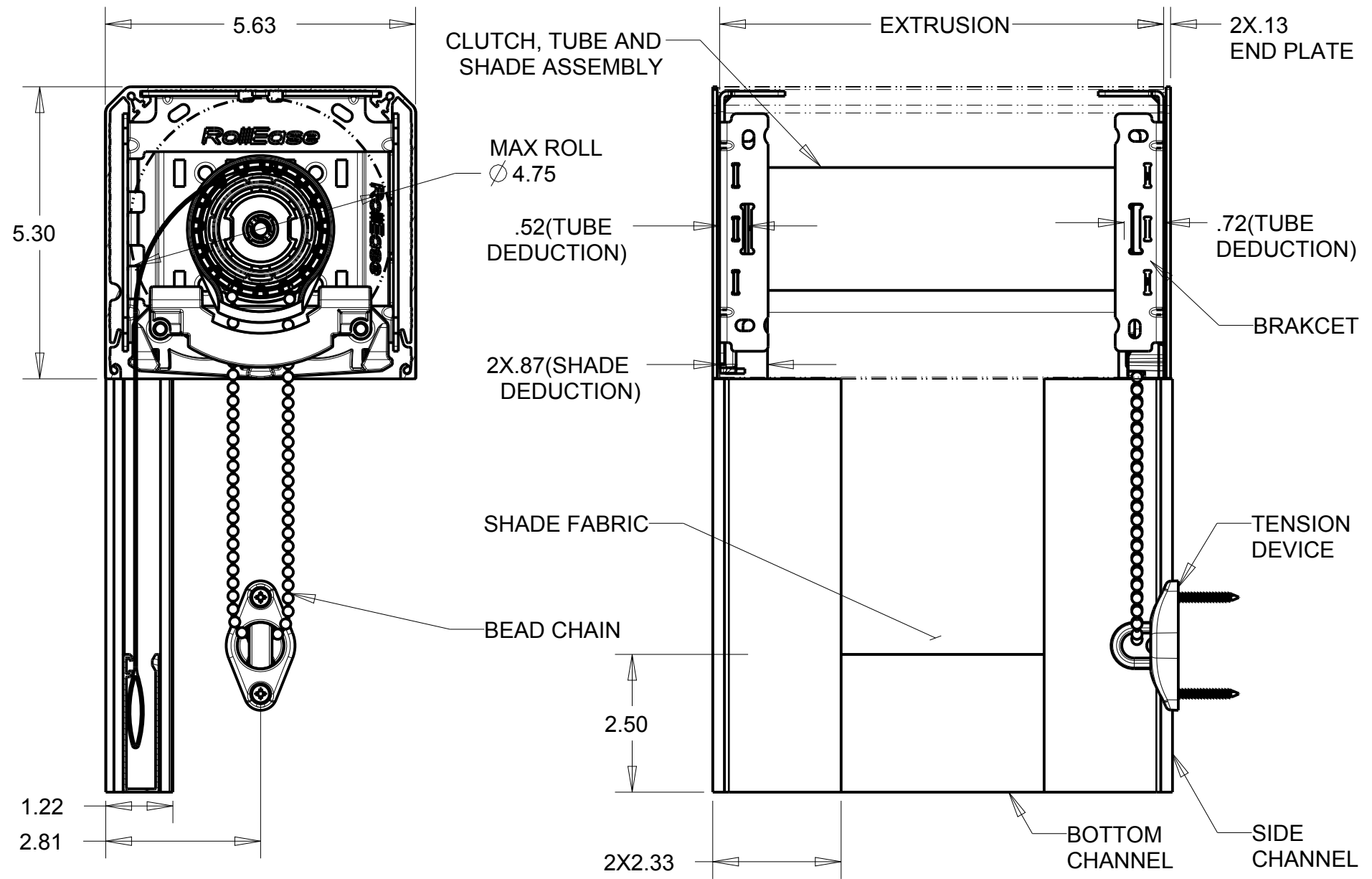


SCALE  
**NOT TO SCALE. DIMENSIONS IN INCHES.**

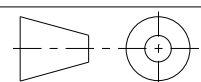
DRAWN BY  
MCC

REVISION  
1





RollEase Headquarters  
 200 Harvard Avenue  
 Stamford, CT 06902-6320 USA  
 Office: 203.964.1573/ 800.552.5100  
 www.rollease.com



SCALE

NOT TO SCALE. DIMENSIONS IN INCHES.

DRAWN BY

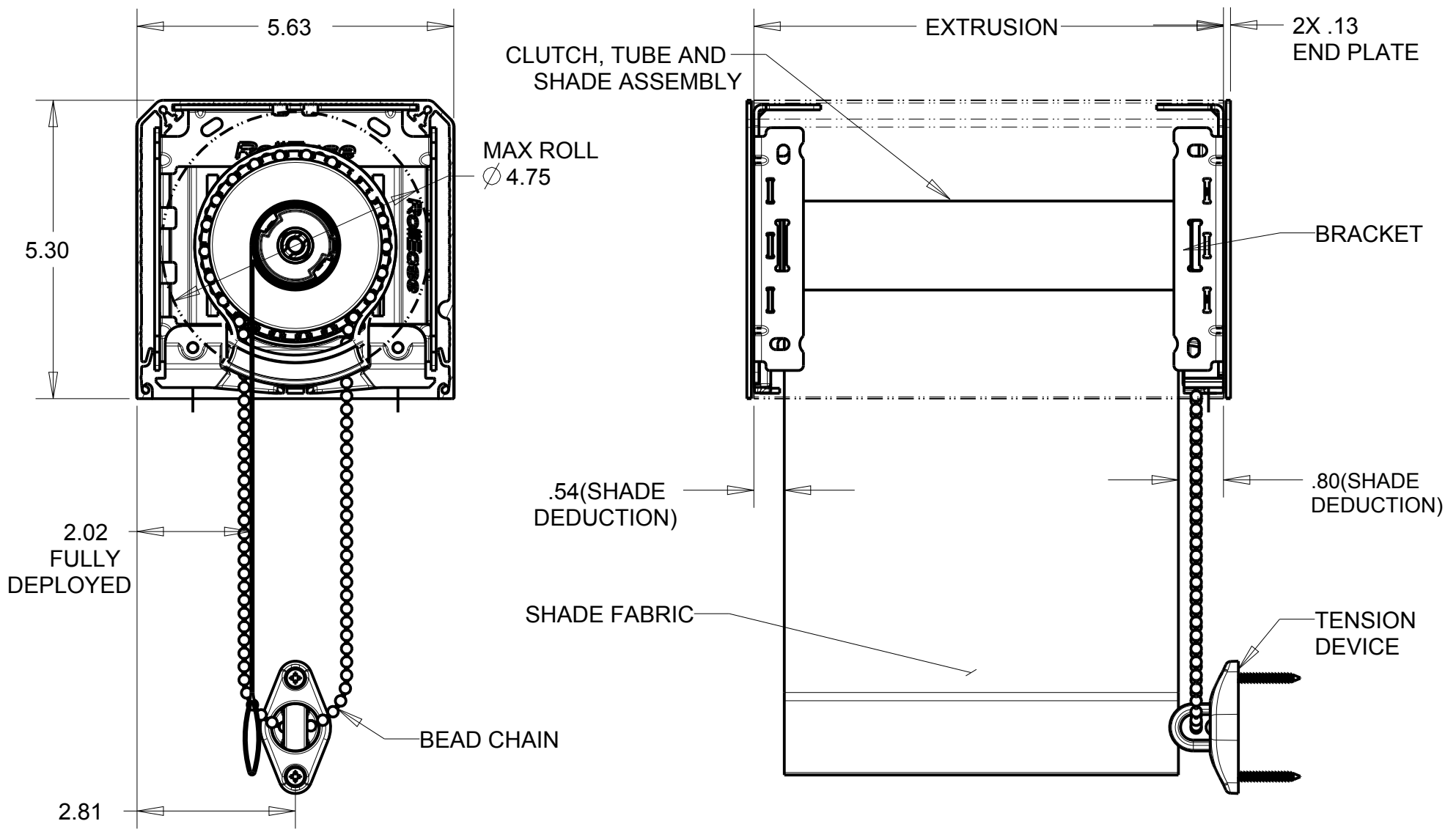
MCC

REVISION

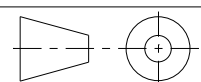
1

SKYLINE 5 IN CONTRACT , SL30H53/RGAL400H CLUTCH, RTEA4  
1.5 DIA TUBE, RE00201/0202 BRACKET

A1069



RollEase Headquarters  
 200 Harvard Avenue  
 Stamford, CT 06902-6320 USA  
 Office: 203.964.1573/ 800.552.5100  
 www.rollease.com



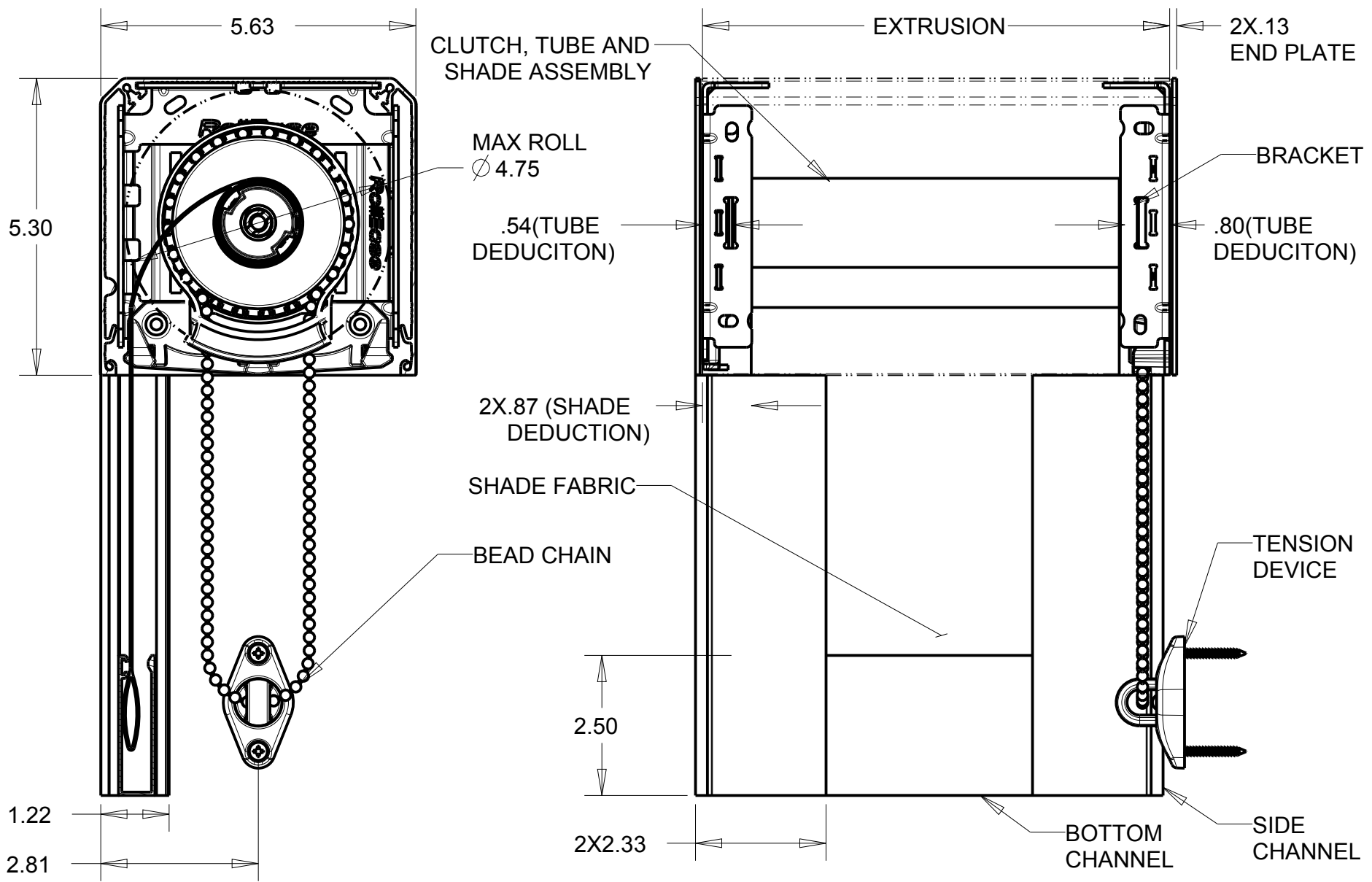
SCALE  
 NOT TO SCALE. DIMENSIONS IN INCHES.

DRAWN BY  
 MCC

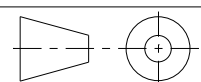
REVISION  
 1

SKYLINE 5 IN CONTRACT, SL30H53/RGAL400H CLUTCH, RTEA4 1.5 DIA  
TUBE RE00201/0202 BRACKETw/SIDE CHANNELS

A1076



RollEase Headquarters  
200 Harvard Avenue  
Stamford, CT 06902-6320 USA  
Office: 203.964.1573/ 800.552.5100  
www.rollease.com



SCALE

NOT TO SCALE. DIMENSIONS IN INCHES.

DRAWN BY

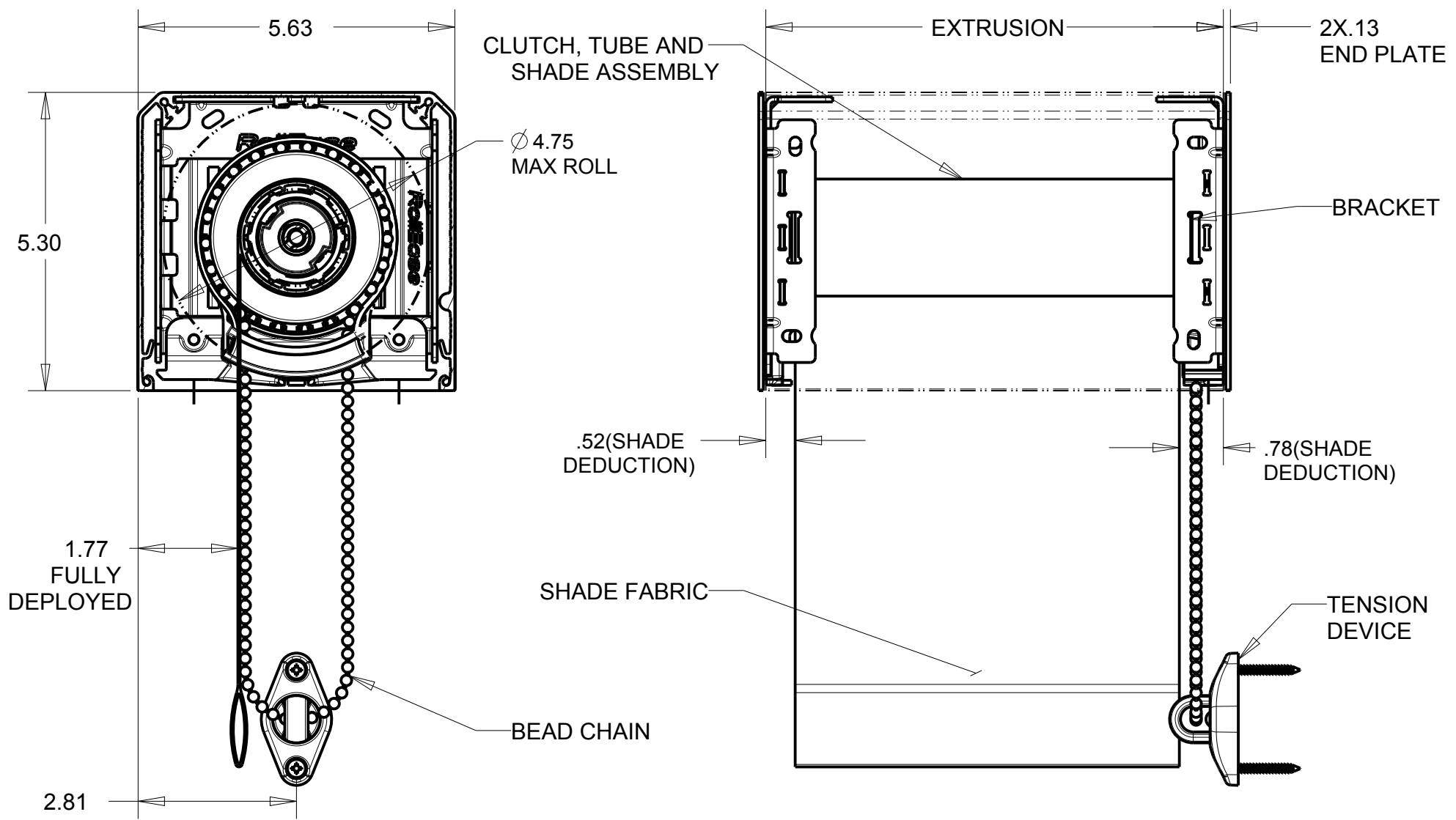
MCC

REVISION

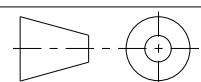
1

SKYLINE 5 IN CONTRACT , SL30H53/RGAL400H CLUTCH, RTEA4  
2.0 DIA TUBE RA2 ADAPTER, RE00201/0202 BRACKET

A1070



RollEase Headquarters  
200 Harvard Avenue  
Stamford, CT 06902-6320 USA  
Office: 203.964.1573/ 800.552.5100  
www.rollease.com



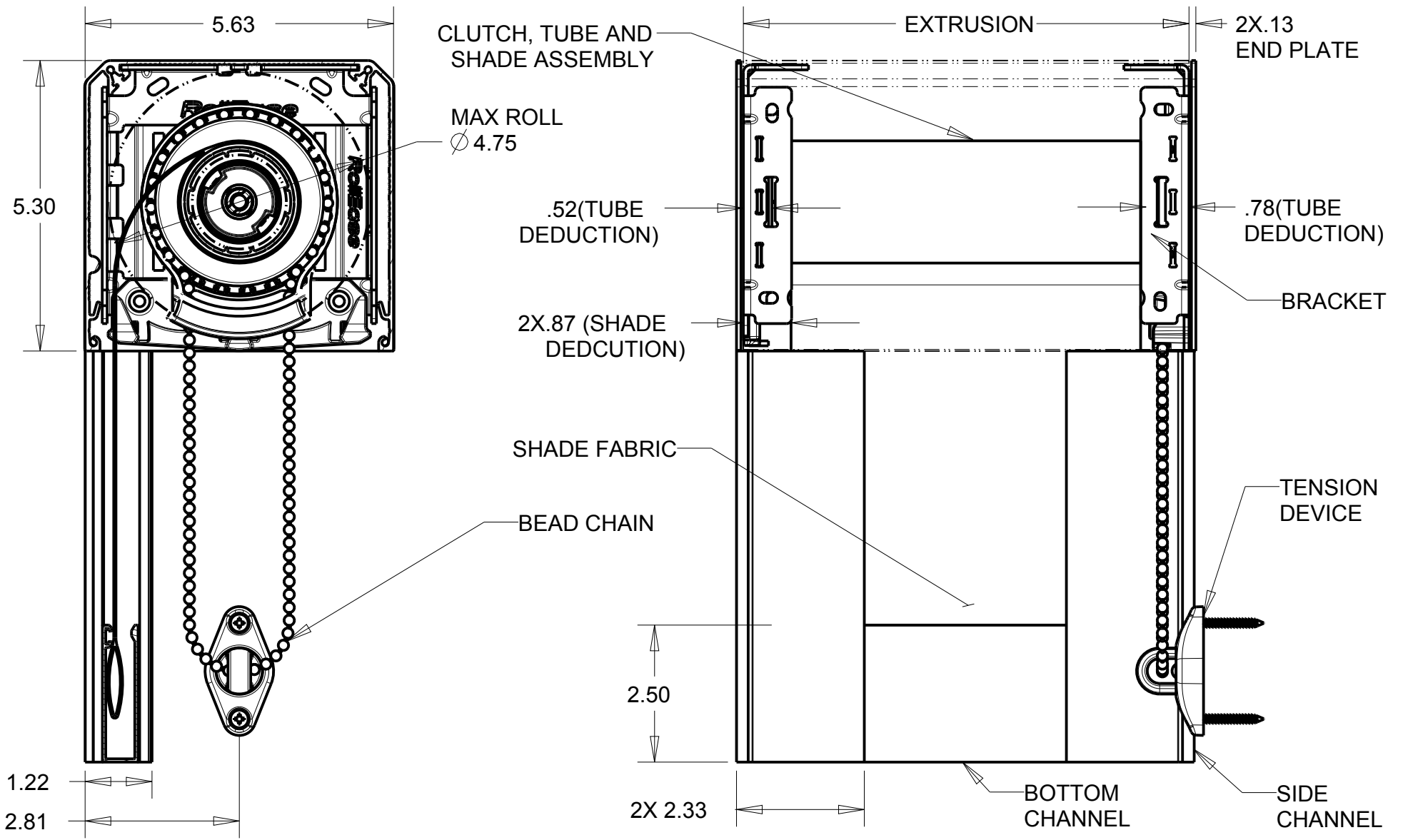
SCALE  
NOT TO SCALE. DIMENSIONS IN INCHES.

DRAWN BY  
MCC

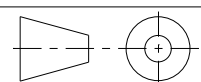
REVISION  
1

SKYLINE 5 IN CONTRACT , SL30H53/RGAL400H CLUTCH, RTEA4 2.0 DIA TUBE, RA2 ADAPTER, RE00201/0202 BRACKETw/SIDE CHANNELS

A1077



RollEase Headquarters  
 200 Harvard Avenue  
 Stamford, CT 06902-6320 USA  
 Office: 203.964.1573/ 800.552.5100  
 www.rollease.com



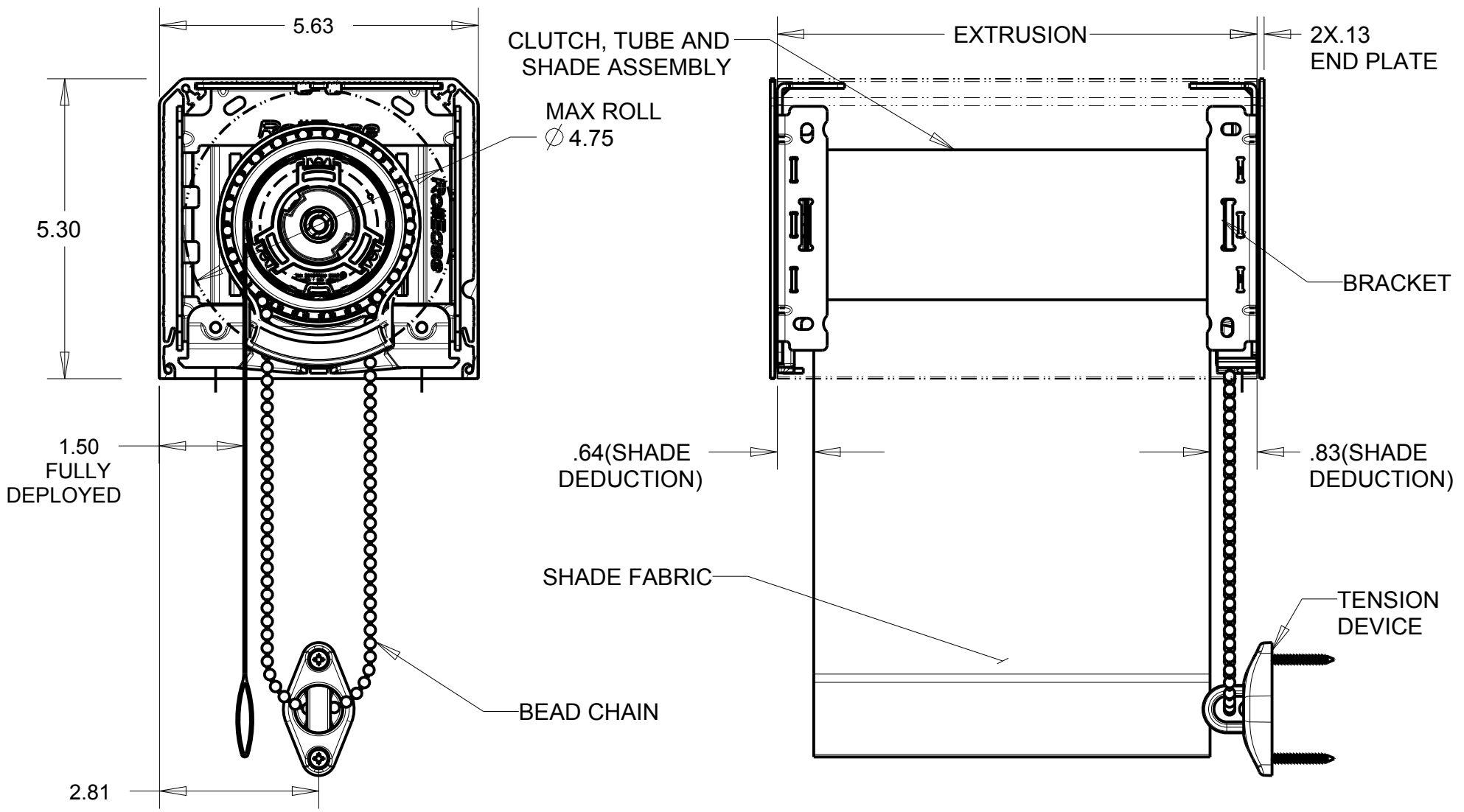
SCALE  
 NOT TO SCALE. DIMENSIONS IN INCHES.

DRAWN BY  
 MCC

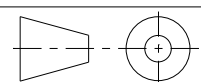
REVISION  
 1

SKYLINE 5 IN CONTRACT , SL30H53/RGAL400H/RGAL400SAH CLUTCH,  
RTEA4 2.5/3.25 DIA TUBE, RA25 ADAPTER, RE00201/0202 BRACKET

A1071



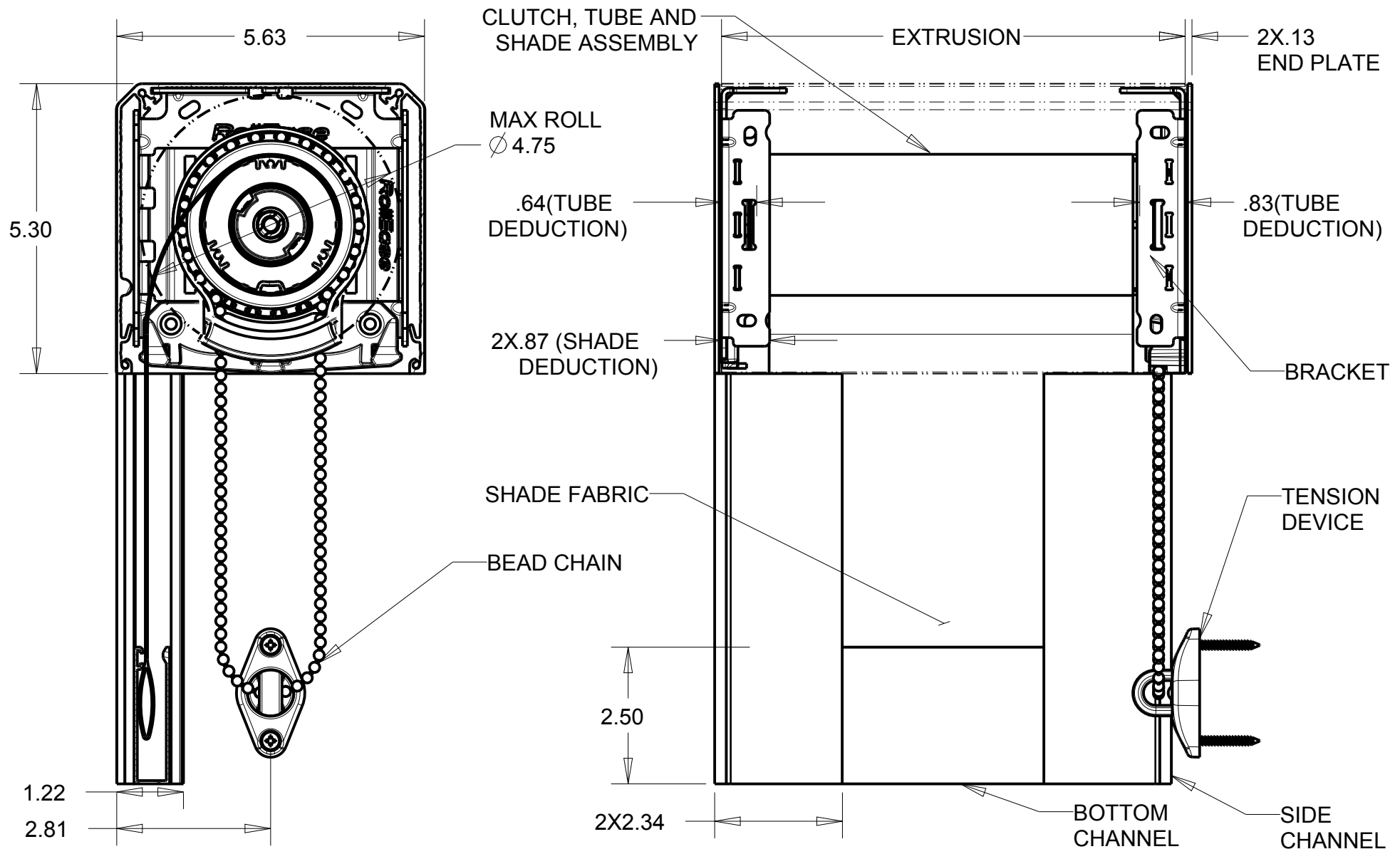
RollEase Headquarters  
200 Harvard Avenue  
Stamford, CT 06902-6320 USA  
Office: 203.964.1573/ 800.552.5100  
www.rollease.com



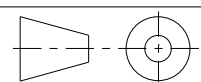
SCALE  
**NOT TO SCALE. DIMENSIONS IN INCHES.**

DRAWN BY  
MCC

REVISION  
1



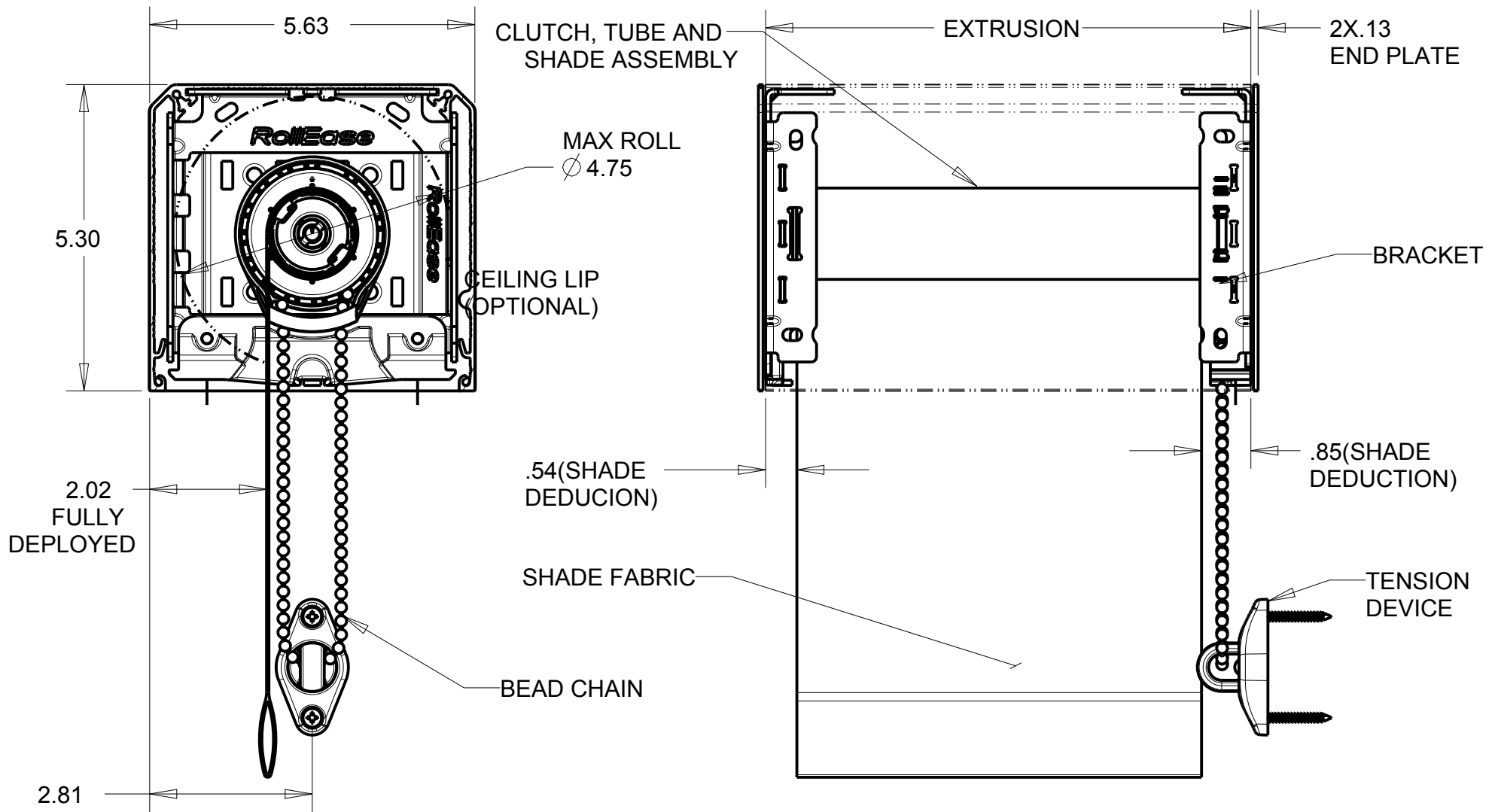
RollEase Headquarters  
 200 Harvard Avenue  
 Stamford, CT 06902-6320 USA  
 Office: 203.964.1573/ 800.552.5100  
 www.rollease.com



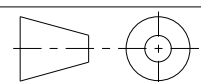
SCALE  
 NOT TO SCALE. DIMENSIONS IN INCHES.

DRAWN BY  
 MCC

REVISION  
 1



RollEase Headquarters  
 200 Harvard Avenue  
 Stamford, CT 06902-6320 USA  
 Office: 203.964.1573/ 800.552.5100  
 www.rollease.com



SCALE  
 NOT TO SCALE. DIMENSIONS IN INCHES.

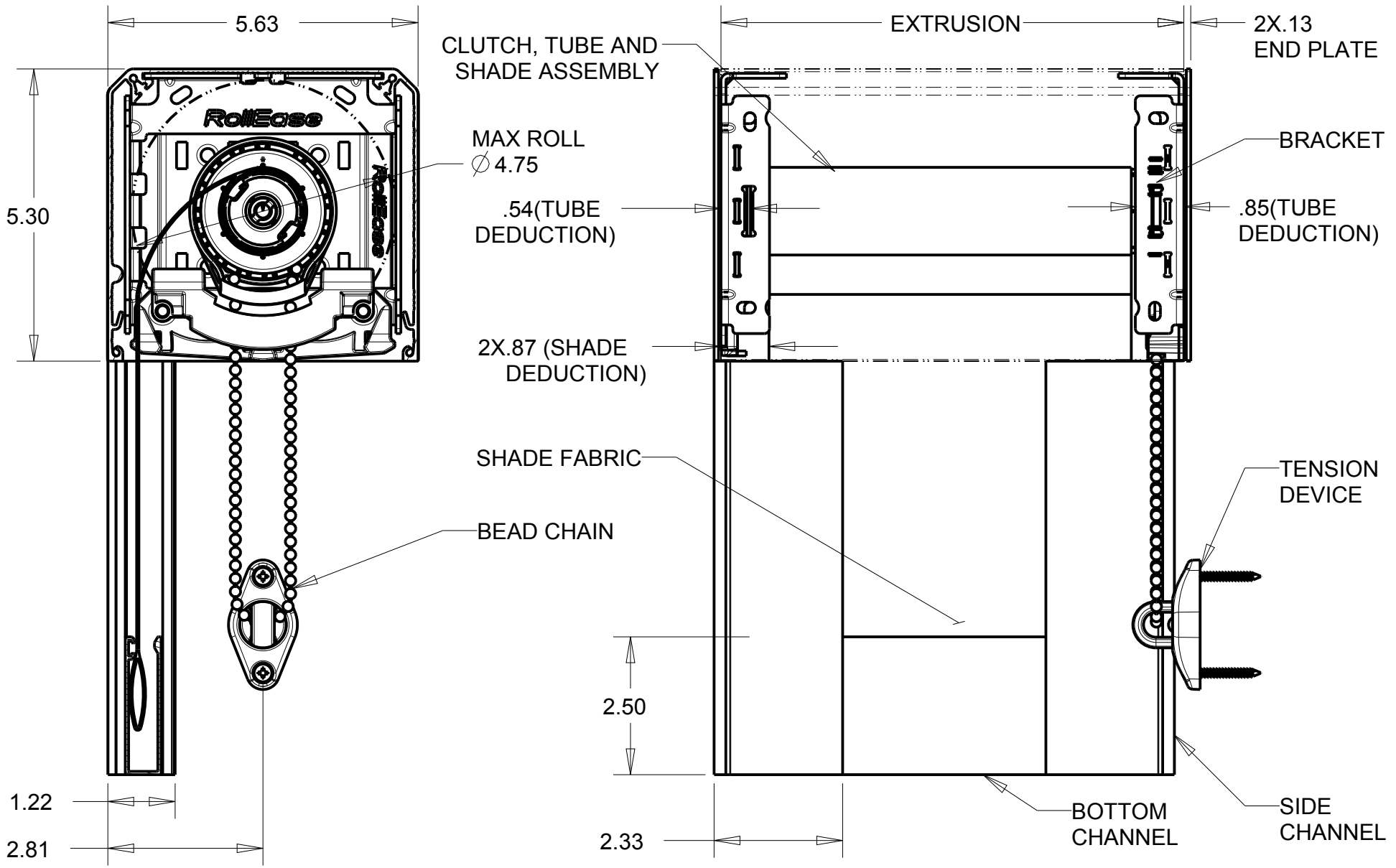
DRAWN BY  
 MCC

REVISION  
 1

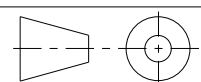


SKYLINE 5 IN CONTRACT , RGALH/RGALSAH CLUTCH, RTEA4 1.5 DIA TUBE  
RE00201/0202 BRACKETw/SIDE CHANNELS

A1074



RollEase Headquarters  
200 Harvard Avenue  
Stamford, CT 06902-6320 USA  
Office: 203.964.1573/ 800.552.5100  
www.rollease.com



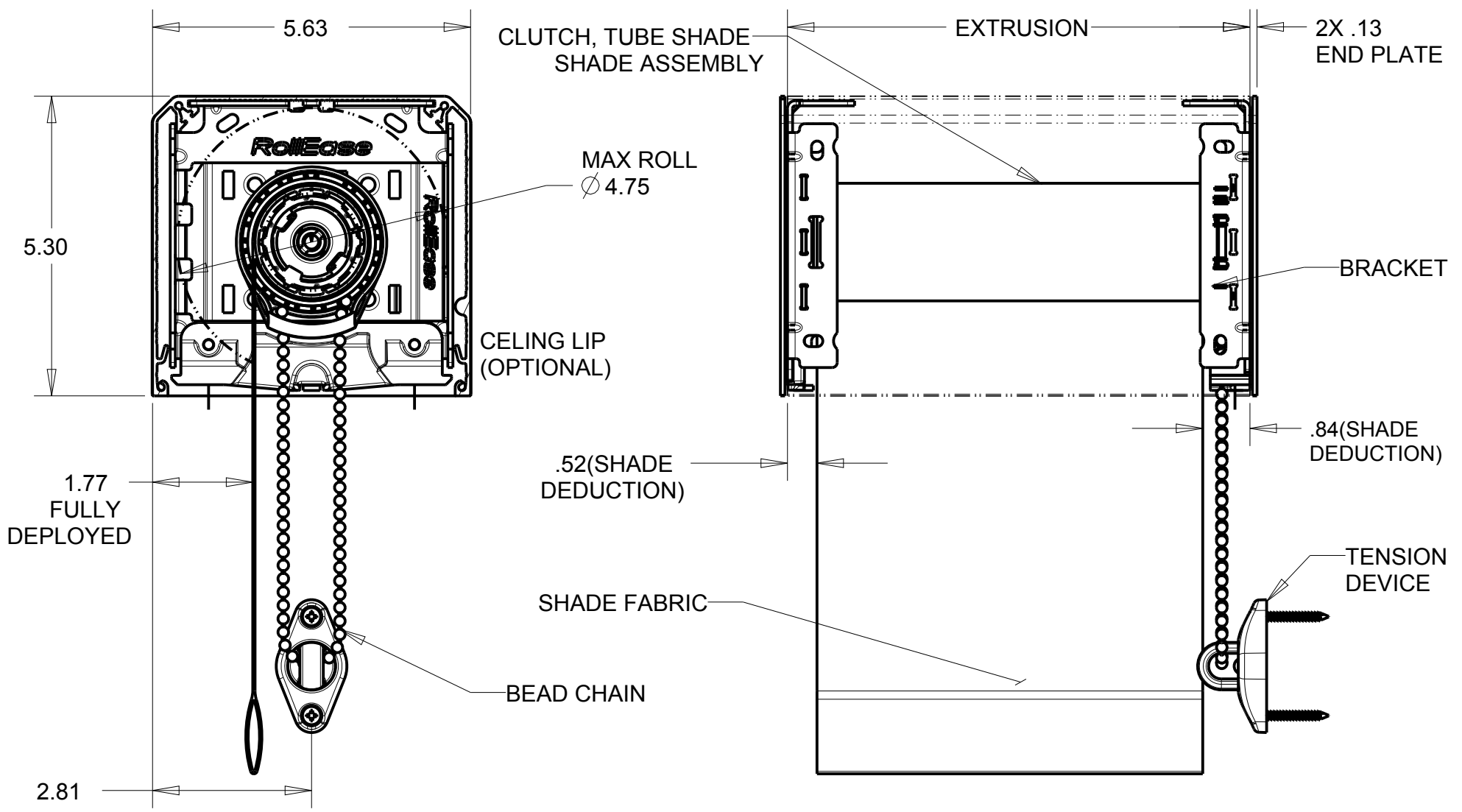
SCALE  
**NOT TO SCALE. DIMENSIONS IN INCHES.**

DRAWN BY  
MCC

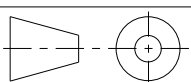
REVISION  
1

SKYLINE 5 IN CONTRACT , RGALH/RGALSAH CLUTCH, RTEA5 2.0 DIA TUBE  
 RA2 ADAPTER RE00201/0202 BRACKET

A1068



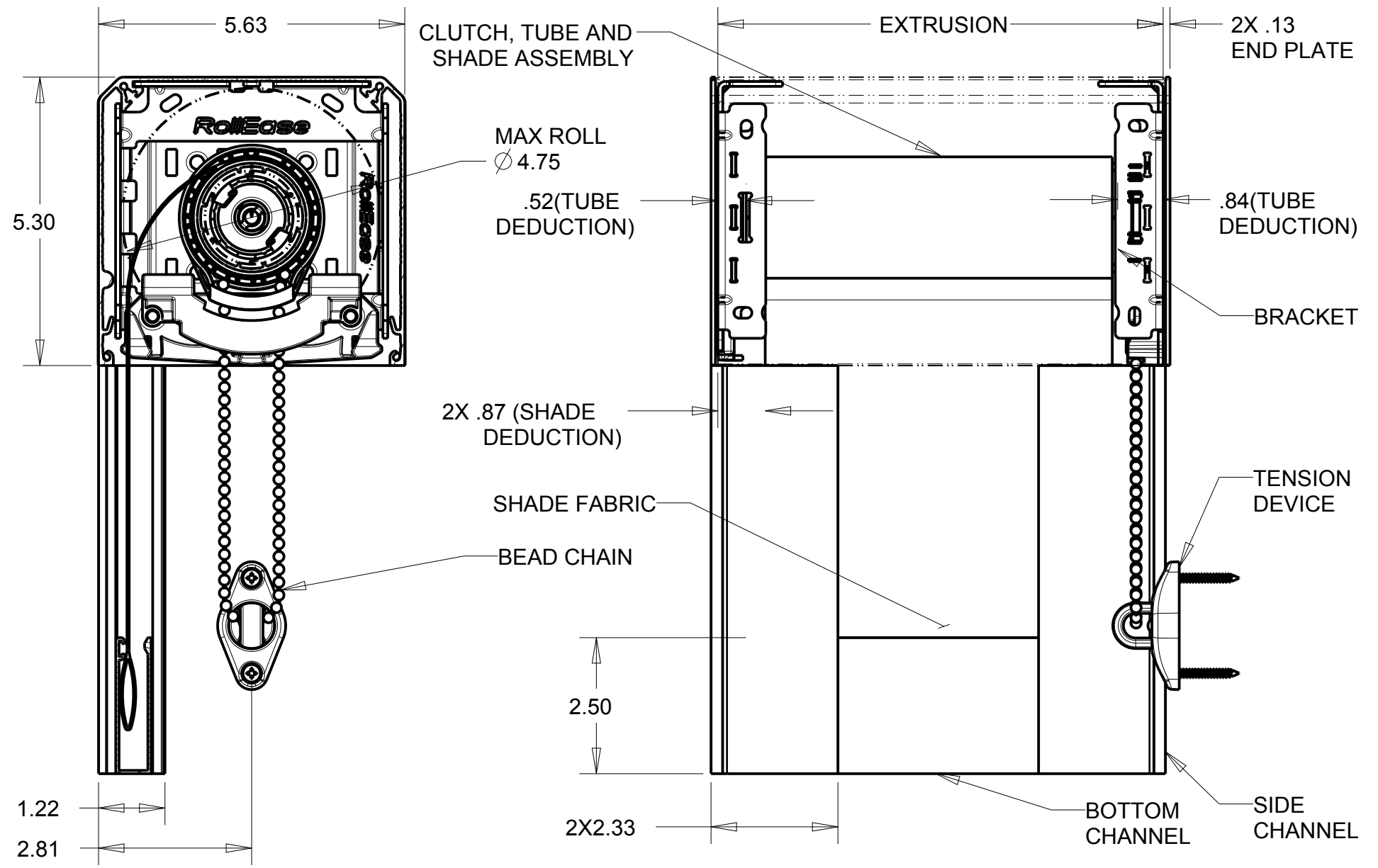
RollEase Headquarters  
 200 Harvard Avenue  
 Stamford, CT 06902-6320 USA  
 Office: 203.964.1573/ 800.552.5100  
 www.rollease.com



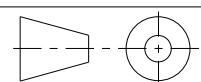
SCALE  
 NOT TO SCALE. DIMENSIONS IN INCHES.

DRAWN BY  
 MCC

REVISION  
 1



RollEase Headquarters  
 200 Harvard Avenue  
 Stamford, CT 06902-6320 USA  
 Office: 203.964.1573/ 800.552.5100  
 www.rollease.com

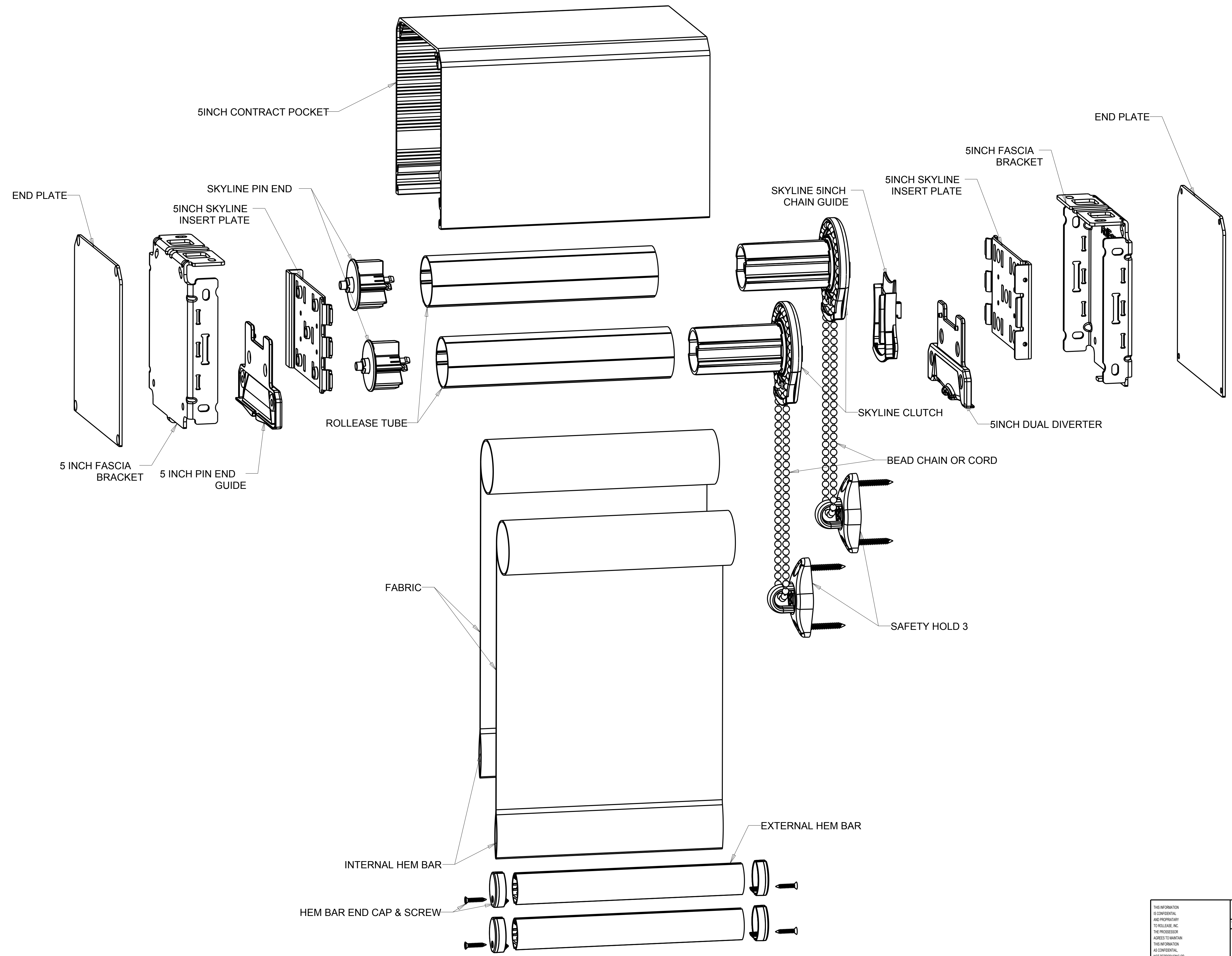


SCALE  
 NOT TO SCALE. DIMENSIONS IN INCHES.

DRAWN BY  
 MCC

REVISION  
 1

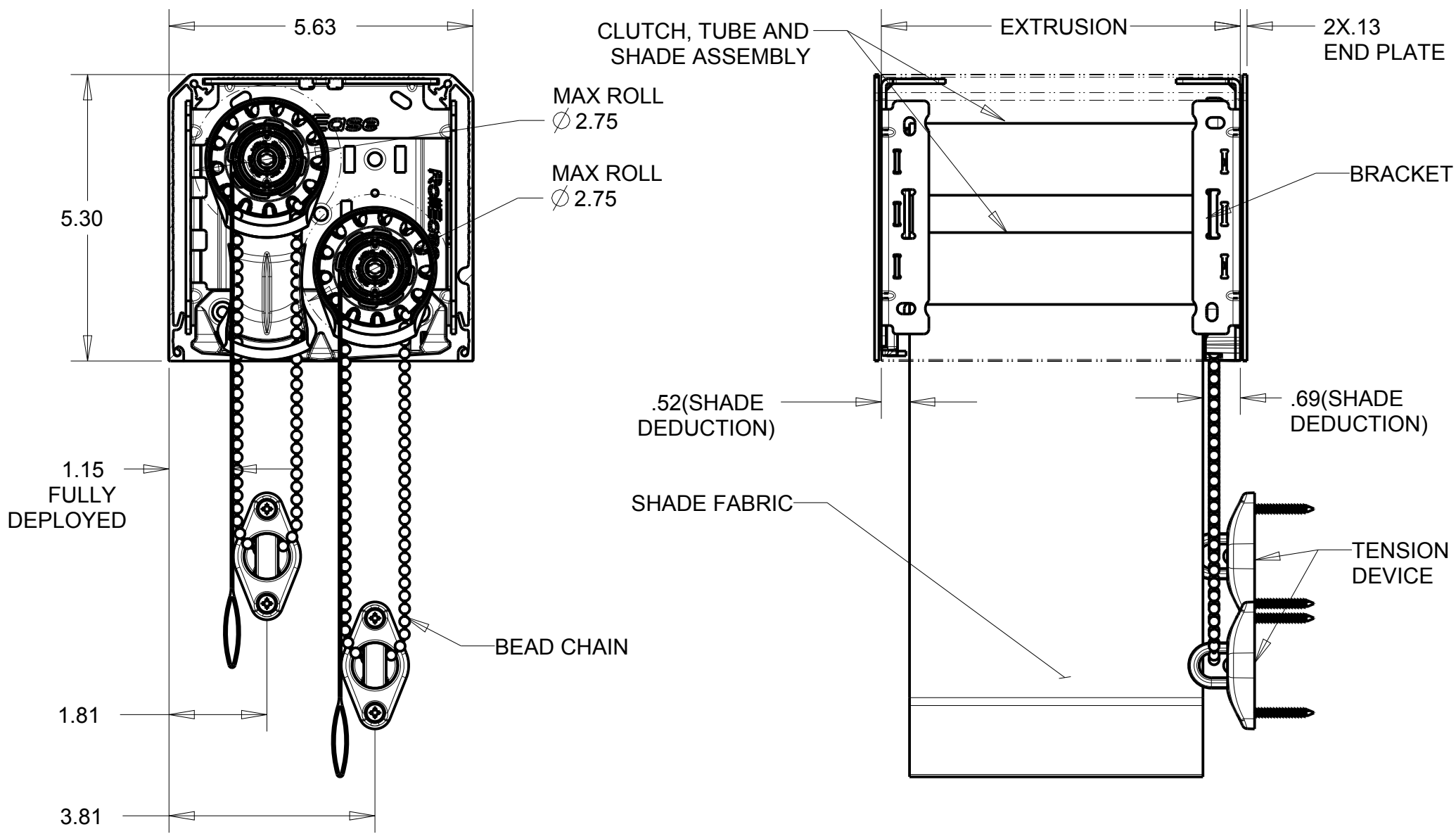
REVISION RECORD				
SYM	DESCRIPTION	BY	DATE	CHK



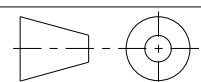
<small>THIS INFORMATION IS CONFIDENTIAL AND PROPRIETARY TO ROLLEASE, INC. THE POSSESSOR AGREES TO MAINTAIN THIS INFORMATION AS CONFIDENTIAL, NOT REPRODUCE OR DISSEMINATE IN WHOLE OR IN PART TO ANY THIRD PARTY.</small>	INCHES		<b>RollEase</b> Window Covering Systems	
	TOLERANCES		<small>DESIGNED BY</small> <b>JSG</b>	<small>TITLE</small> <b>SKYLINE 5 INCH CONTRACT DUAL SHADE</b>
	<small>XXX ± 0.015</small> <small>XXXX ± 0.005</small> <small>ANG ± 1°</small>	<small>DATE</small> <b>18JUN14</b>	<small>SCALE</small> <b>D 1/1</b>	<small>ENGINEER/DESIGNER/ISSUED</small> <b>A1079</b>
	<small>SOLD TO</small> <b>1.4</b>	<small>REV</small> <b>1</b>	<small>DATE</small> <b>18JUN14</b>	<small>SCALE</small> <b>1/1</b>

SKYLINE 5 IN CONTRACT DUAL SHADE, SL15H01 CLUTCH, RTEA2  
1.125 DIA TUBE, RE00201/0202 BRACKET

A1083



RollEase Headquarters  
200 Harvard Avenue  
Stamford, CT 06902-6320 USA  
Office: 203.964.1573/ 800.552.5100  
www.rollease.com



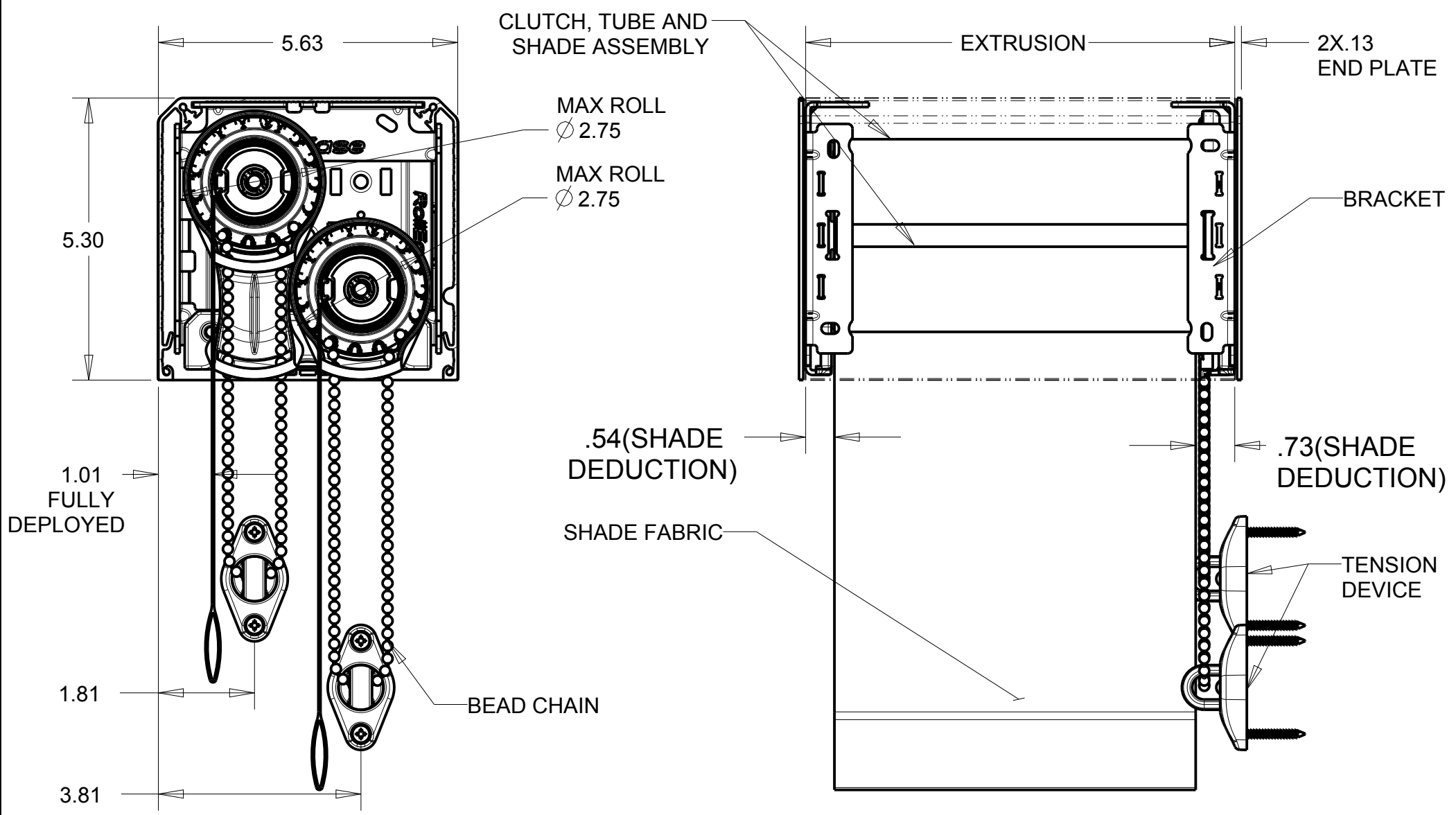
SCALE  
NOT TO SCALE. DIMENSIONS IN INCHES.

DRAWN BY  
MCC

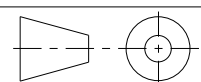
REVISION  
1

SKYLINE 5 IN CONTRACT DUAL SHADE, SL20H53 CLUTCH, RTEA4  
1.5 DIA TUBE, RE002201/0202 BRACKET

A1079



RollEase Headquarters  
200 Harvard Avenue  
Stamford, CT 06902-6320 USA  
Office: 203.964.1573/ 800.552.5100  
www.rollease.com



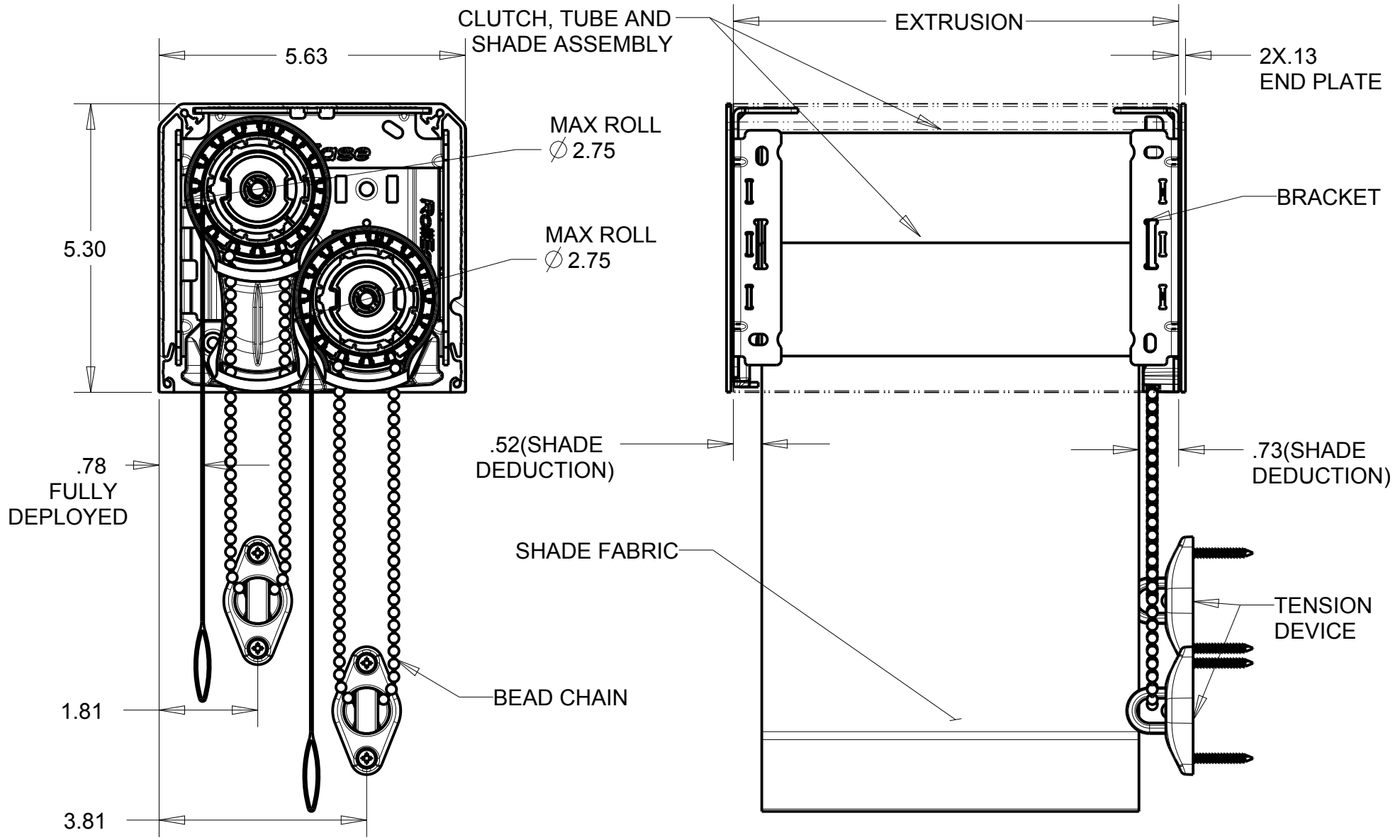
SCALE  
**NOT TO SCALE. DIMENSIONS IN INCHES.**

DRAWN BY  
MCC

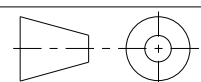
REVISION  
1

SKYLINE 5 IN CONTRACT DUAL SHADE, SL20H53 CLUTCH, RTEA5  
2.0 DIA TUBE, RA2 ADAPTER, RE00201/0202 BRACKET

A1080



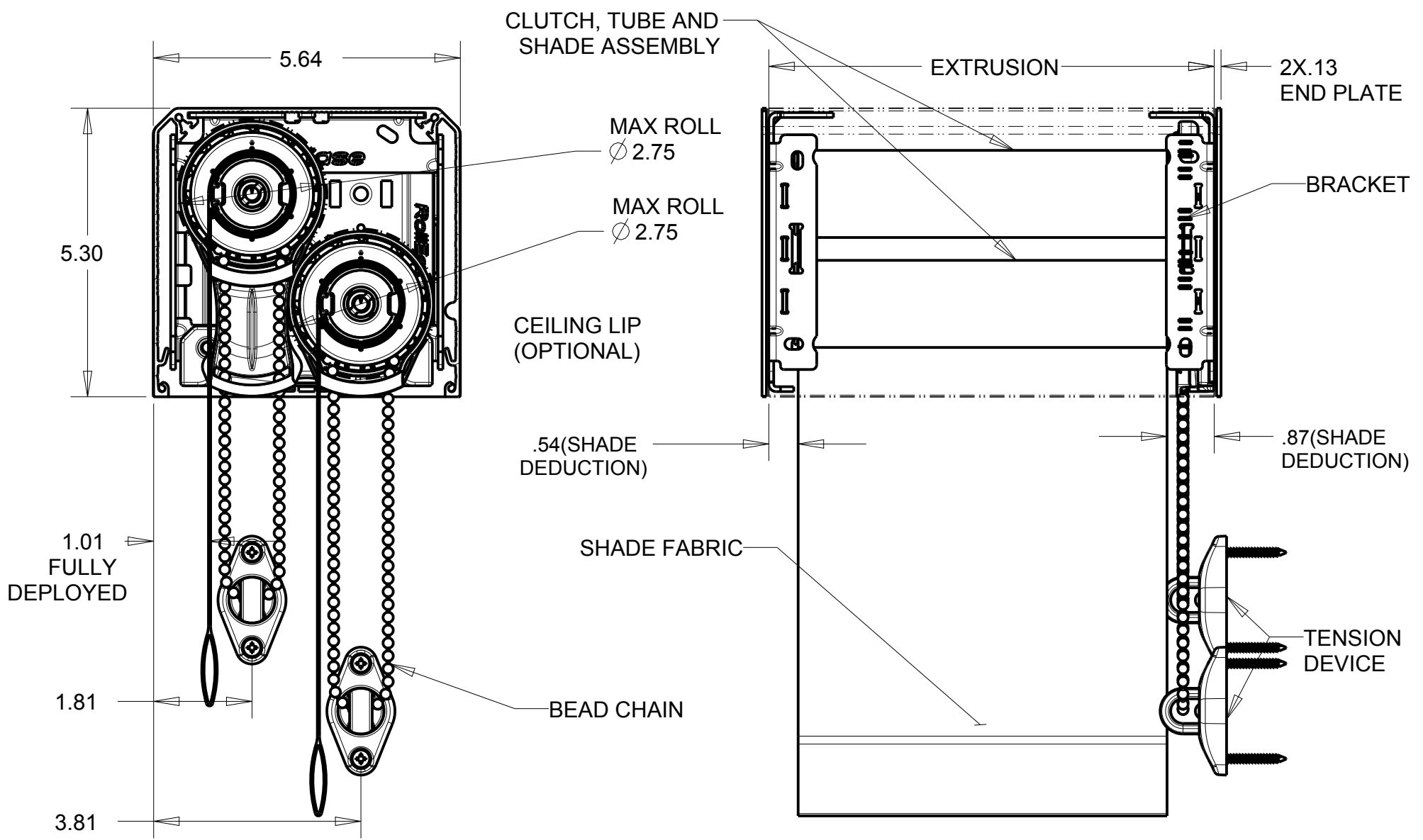
RollEase Headquarters  
200 Harvard Avenue  
Stamford, CT 06902-6320 USA  
Office: 203.964.1573/ 800.552.5100  
www.rollease.com



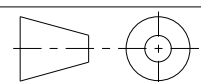
SCALE  
NOT TO SCALE. DIMENSIONS IN INCHES.

DRAWN BY  
MCC

REVISION  
1



RollEase Headquarters  
 200 Harvard Avenue  
 Stamford, CT 06902-6320 USA  
 Office: 203.964.1573/ 800.552.5100  
 www.rollease.com



SCALE  
**NOT TO SCALE. DIMENSIONS IN INCHES.**

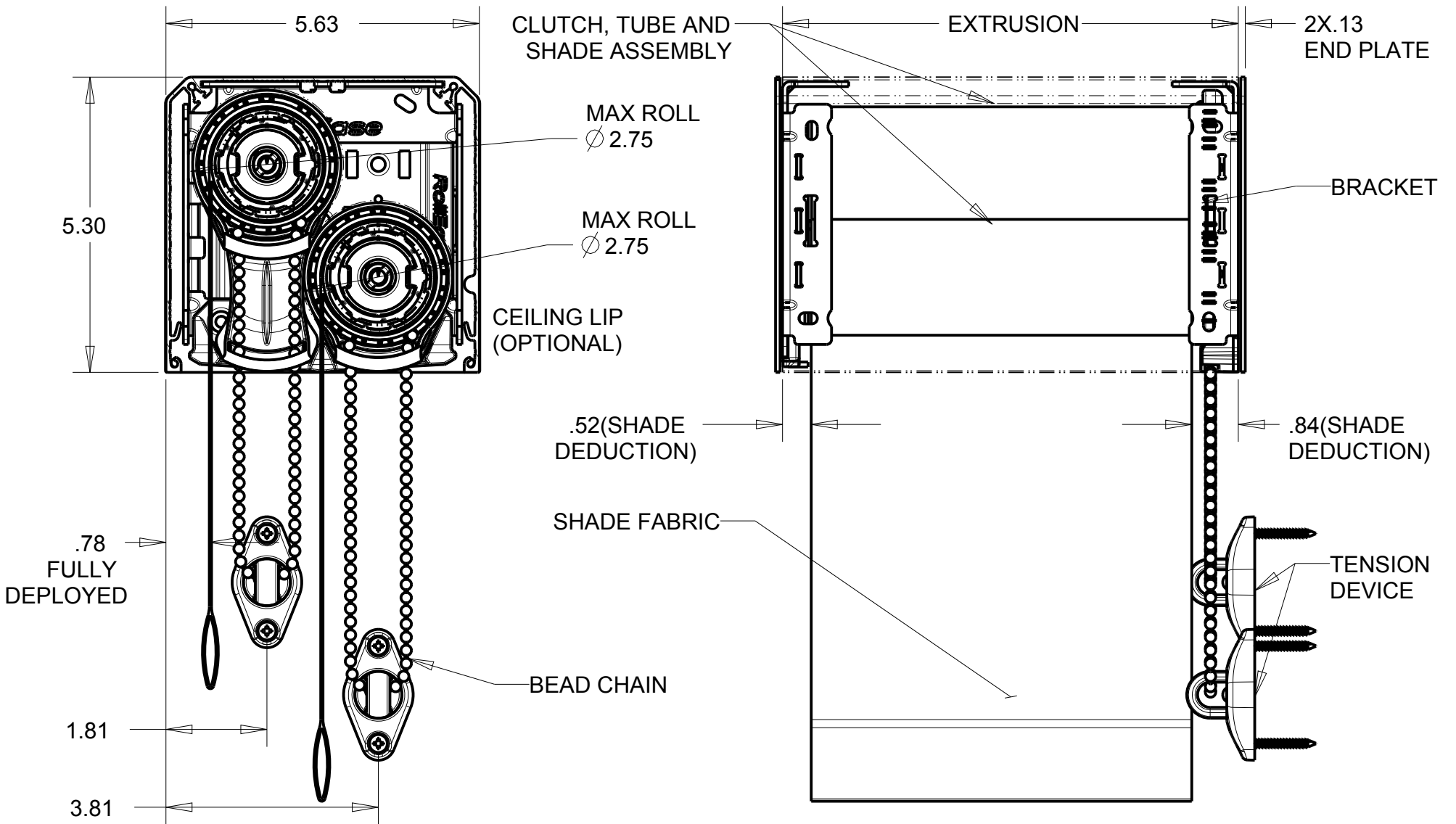
DRAWN BY  
**MCC**

REVISION  
**1**

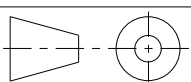


SKYLINE 5 IN CONTRACT DUAL SHADE, RGALH/RGALSAH CLUTCH, RTEA5  
2.0 DIA TUBE, RA2 ADAPTER, RE00201/0202 BRACKET

A1082



RollEase Headquarters  
200 Harvard Avenue  
Stamford, CT 06902-6320 USA  
Office: 203.964.1573/ 800.552.5100  
www.rollease.com



SCALE

NOT TO SCALE. DIMENSIONS IN INCHES.

DRAWN BY

MCC

REVISION

1