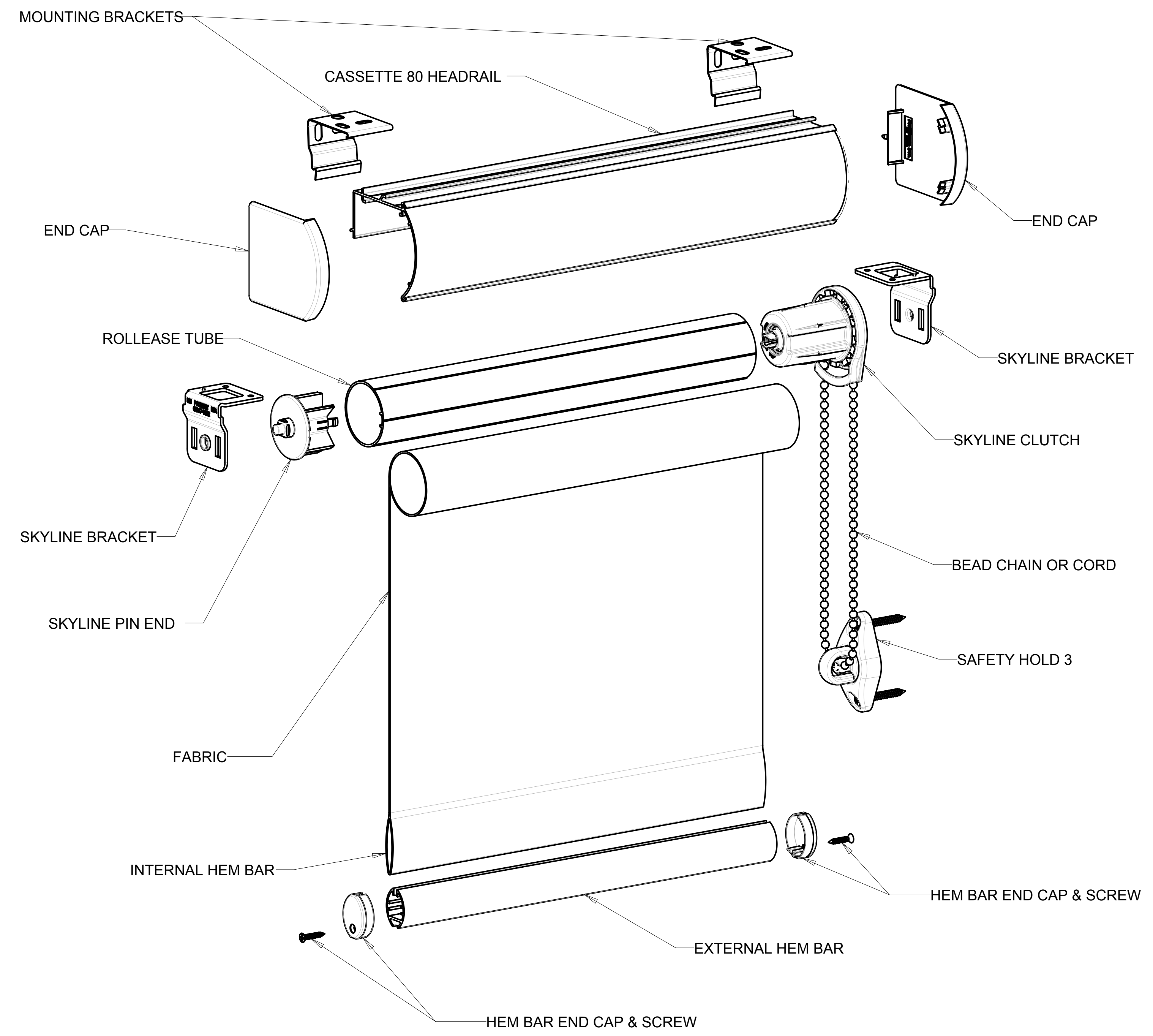
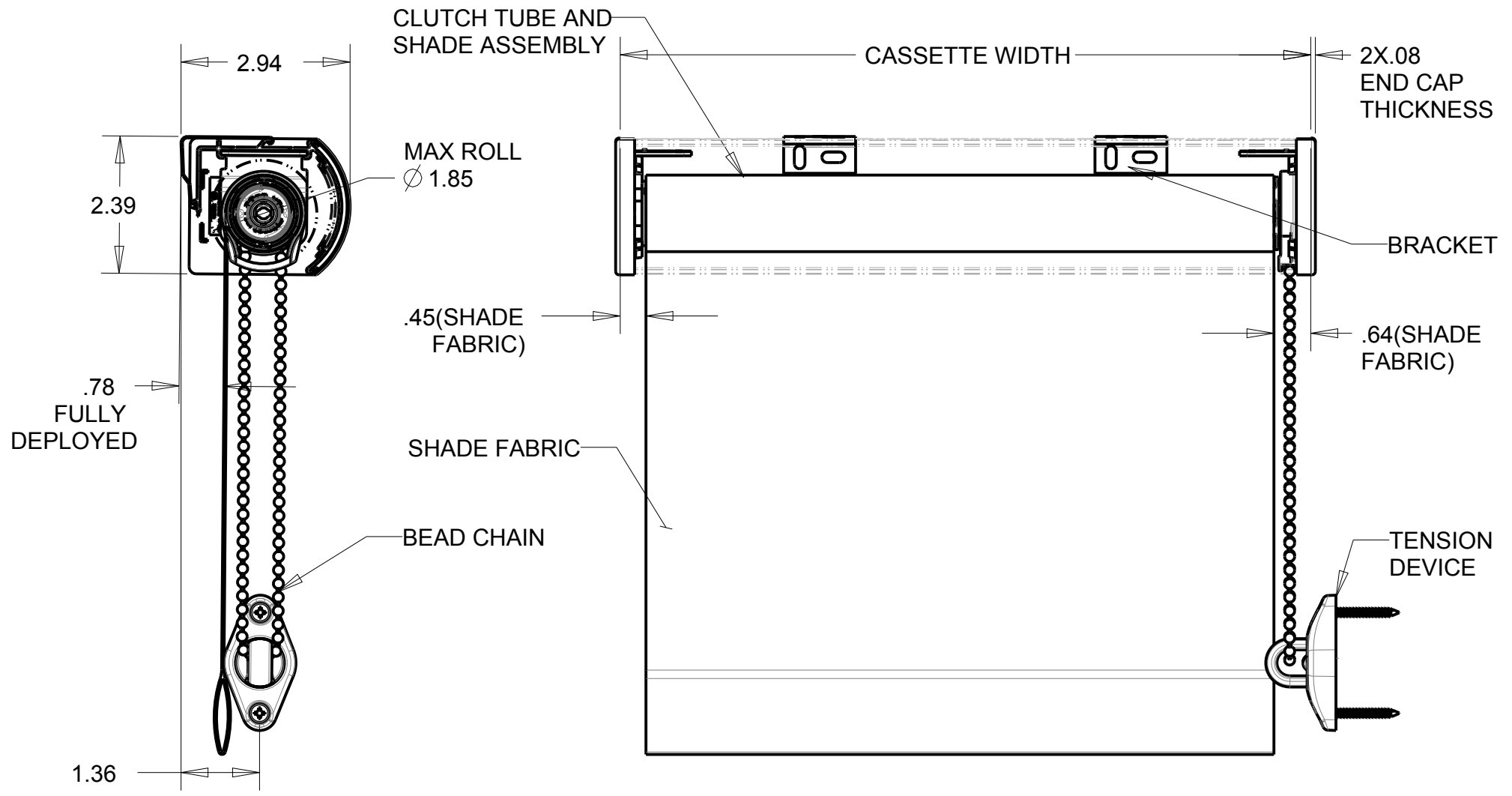


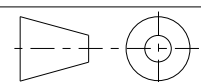
REVISION RECORD				
SYM	DESCRIPTION	BY	DATE	CHK



<small>THIS INFORMATION IS CONFIDENTIAL AND PROPRIETARY TO ROLLESE, INC. THE POSSESSOR AGREES TO MAINTAIN THIS INFORMATION AS CONFIDENTIAL, NOT REPRODUCE OR RELEASE IN WHOLE OR IN PART TO ANY THIRD PARTY.</small>	INCHES	RollEase Window Covering Systems		
	TOLERANCES	<small>XXX ± 0.015</small> <small>XXXX ± 0.005</small> <small>ANG ± 1°</small>	<small>DESIGNED BY</small> CDC	<small>TITLE</small> SKYLINE CASSETTE 80
	DATE	<small>SCALE</small> D NTS	<small>ENGINEERING DRAWING NUMBER</small> SL7	<small>SOLD</small> 1.14
	07MAY13	<small>REV</small> 1	<small>REV</small> 1	<small>REV</small> 1



RollEase Headquarters
 200 Harvard Avenue
 Stamford, CT 06902-6320 USA
 Office: 203.964.1573/ 800.552.5100
 www.rollease.com



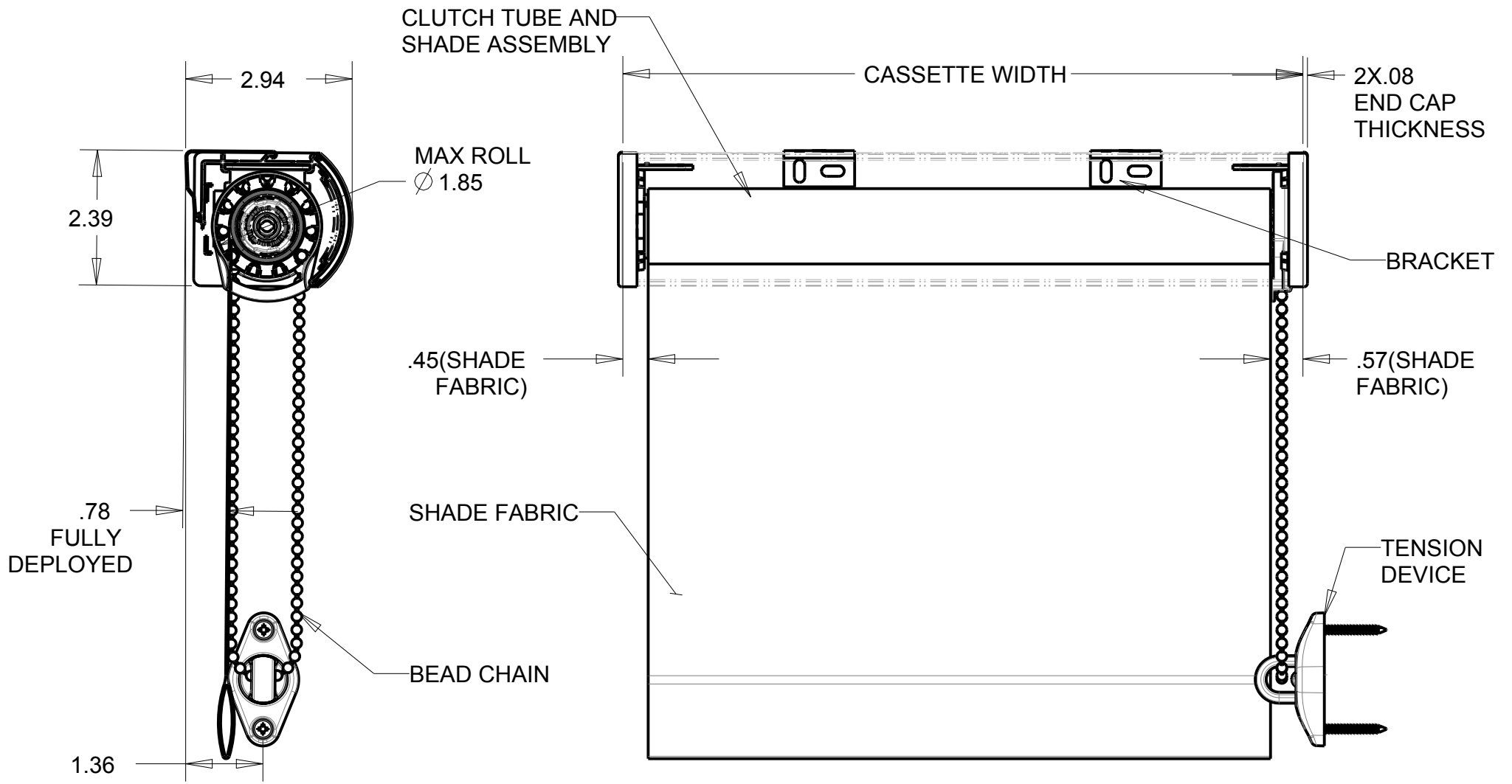
SCALE
 NOT TO SCALE. DIMENSIONS IN INCHES.

DRAWN BY
 MCC

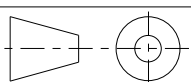
REVISION
 1

SKYLINE CASSETTE 80 , SL10 CLUTCH, 1.125IN TUBE, CRUSLB660
BRACKET

A1102



RollEase Headquarters
200 Harvard Avenue
Stamford, CT 06902-6320 USA
Office: 203.964.1573/ 800.552.5100
www.rollease.com

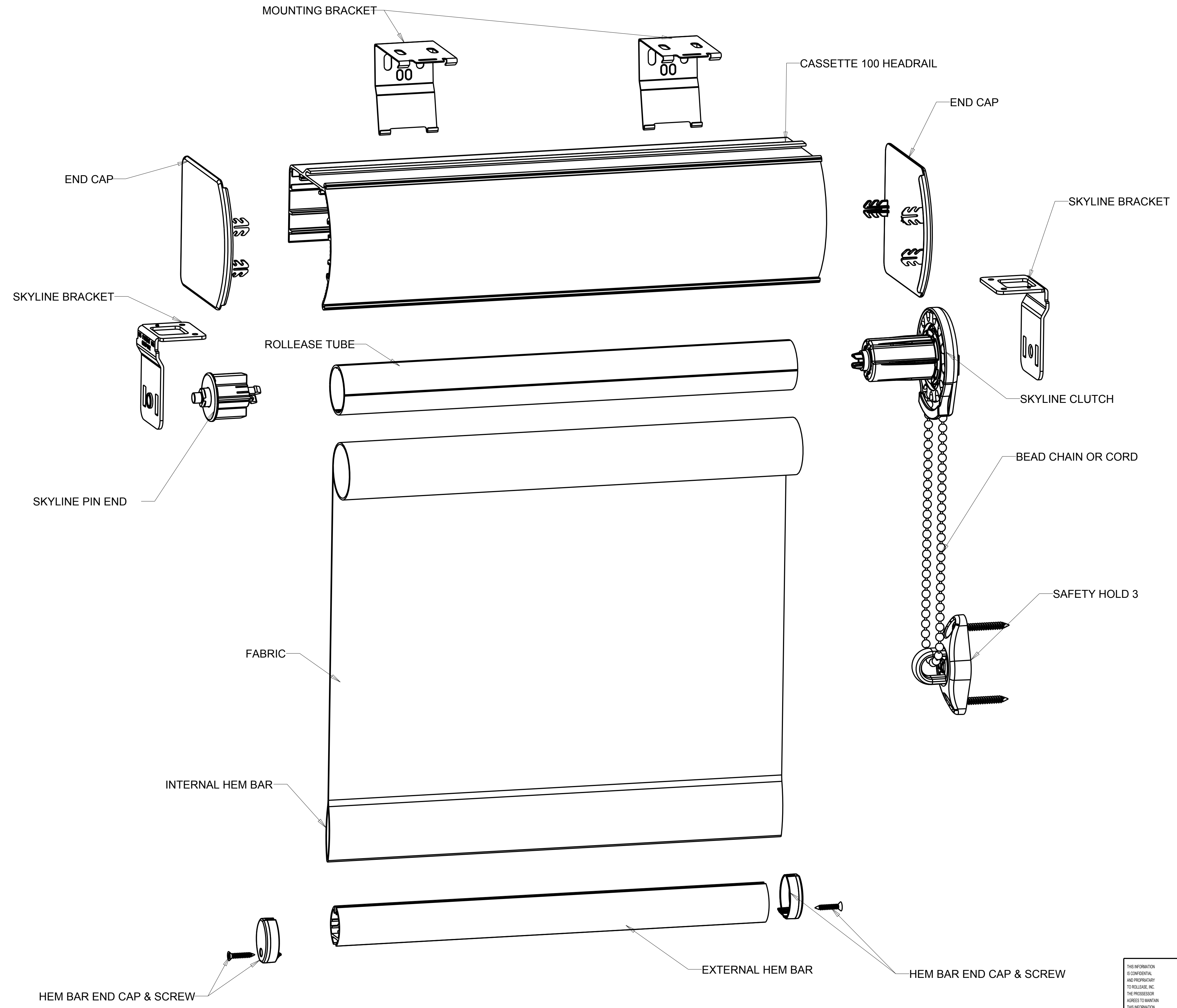


SCALE
NOT TO SCALE. DIMENSIONS IN INCHES.

DRAWN BY
MCC

REVISION
1

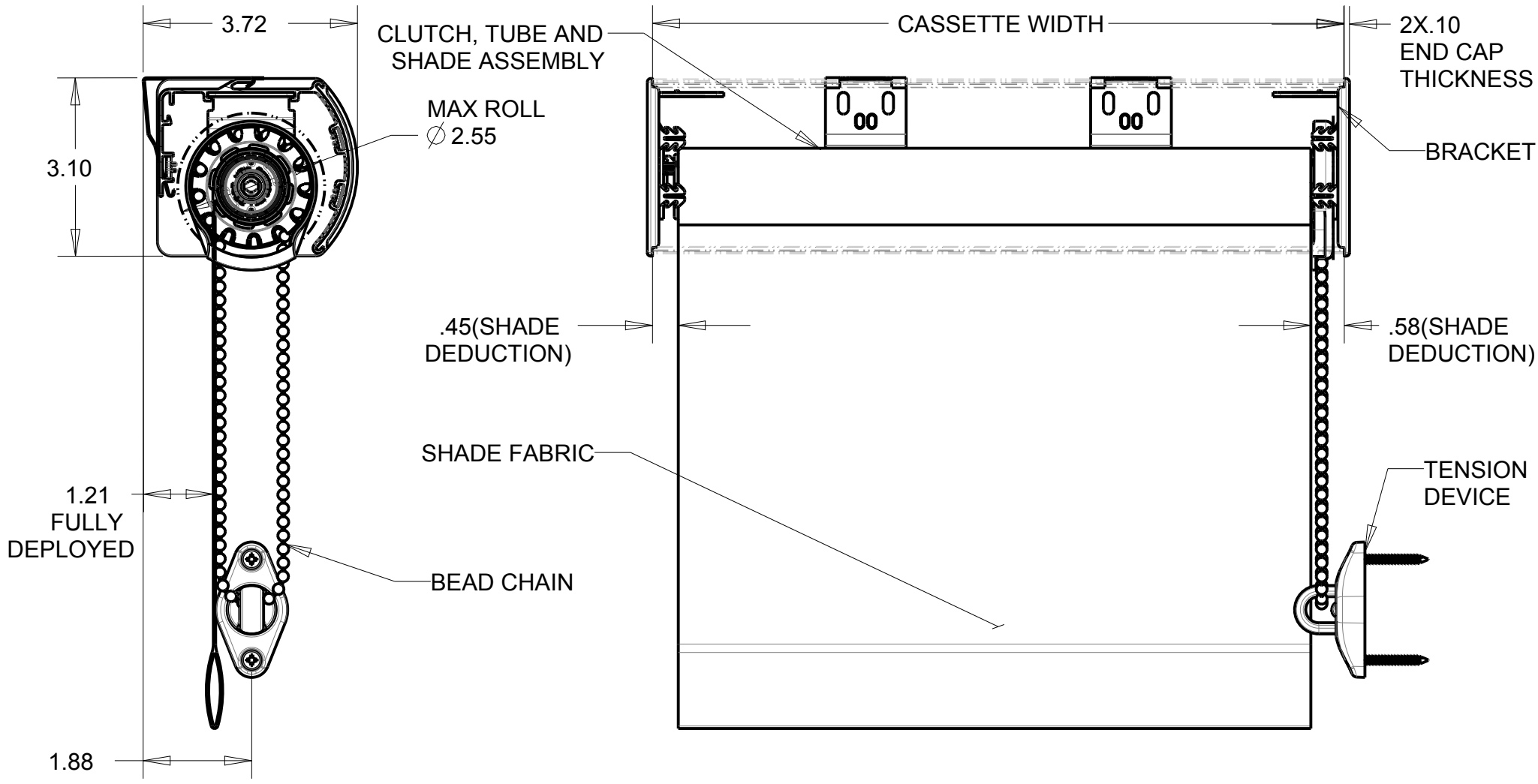
REVISION RECORD				
SYM	DESCRIPTION	BY	DATE	CHK



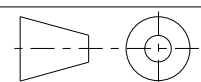
<small>THIS INFORMATION IS CONFIDENTIAL AND PROPRIETARY TO ROLLESE, INC. THE POSSESSOR AGREES TO MAINTAIN THIS INFORMATION AS CONFIDENTIAL, NOT REPRODUCE OR RELEASE IN WHOLE OR IN PART TO ANY THIRD PARTY.</small>	INCHES	RollEase, Inc. STAMFORD, CT	
	TOLERANCES	<small>USED ON</small> <small>DATE</small>	<small>DATE</small>
	.XX ± .015 .XXX ± .005 ANG ± 1°	<small>DESIGNED BY</small> MCC	<small>TITLE</small> SKYLINE CASSETTE 100
	DATE	<small>ISSUED BY</small> D	<small>DATE</small> A1089

SKYLINE CASSETTE 100 , SL15H01 CLUTCH, RTEA2 1.125 DIA TUBE,
CRUSLB660 BRACKET, END CAPS

A1089



RollEase Headquarters
200 Harvard Avenue
Stamford, CT 06902-6320 USA
Office: 203.964.1573/ 800.552.5100
www.rollease.com



SCALE

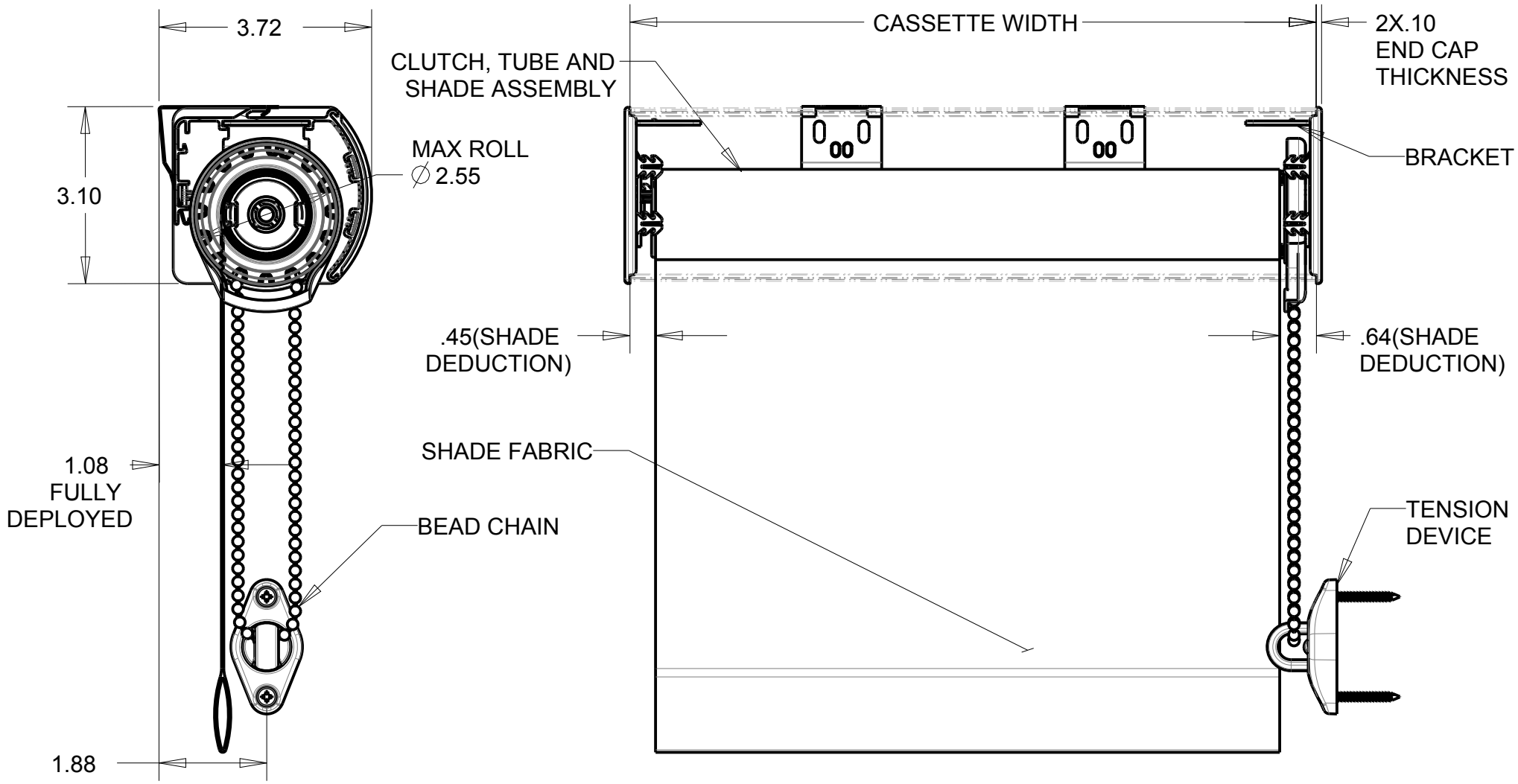
NOT TO SCALE. DIMENSIONS IN INCHES.

DRAWN BY

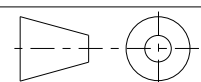
MCC

REVISION

1



RollEase Headquarters
 200 Harvard Avenue
 Stamford, CT 06902-6320 USA
 Office: 203.964.1573/ 800.552.5100
 www.rollease.com



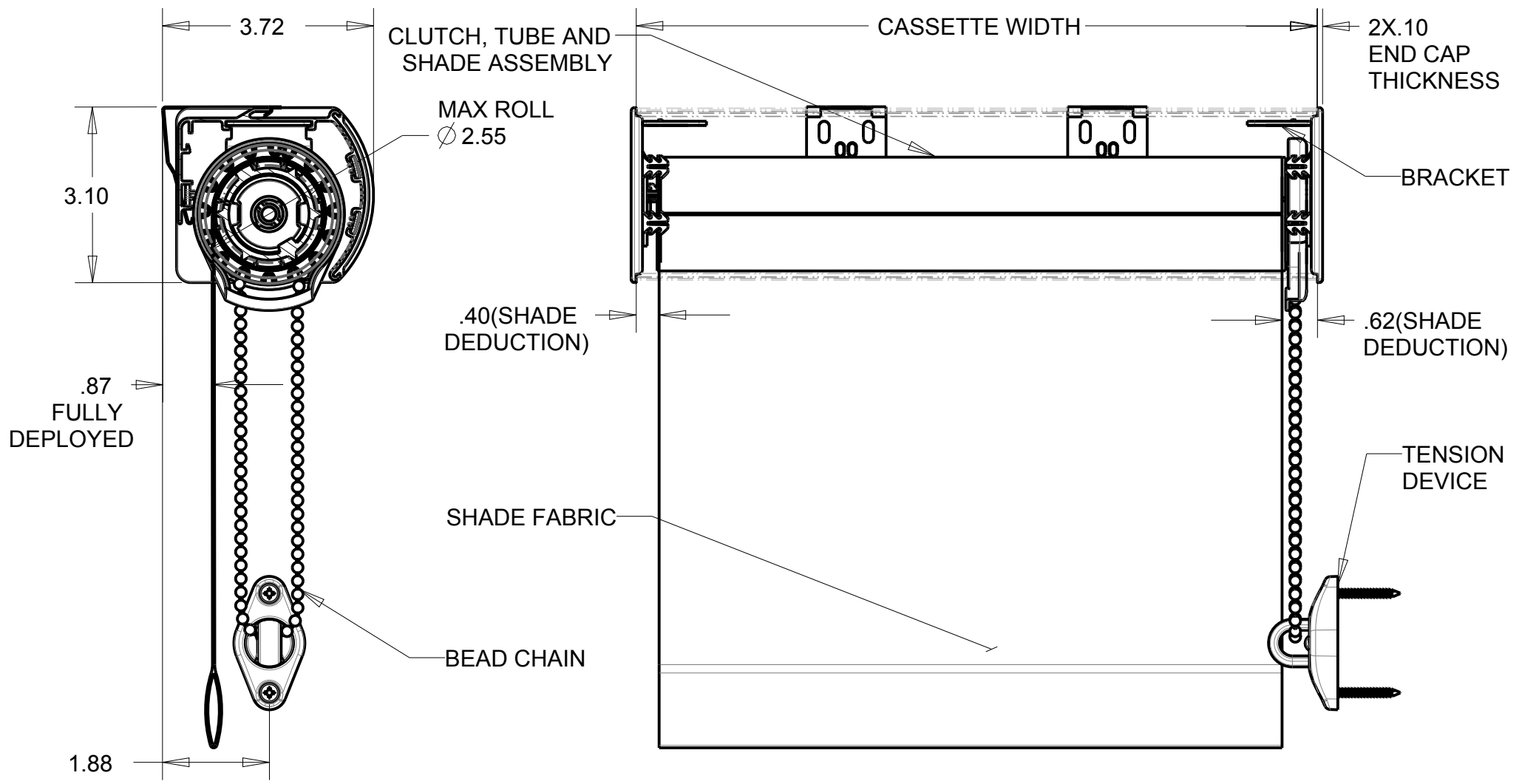
SCALE
 NOT TO SCALE. DIMENSIONS IN INCHES.

DRAWN BY
 MCC

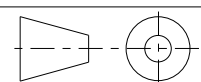
REVISION
 1

SKYLINE CASSETTE 100 , SL20H53 CLUTCH, RTEA5 2.0 DIA TUBE,
RA2 ADAPTER, CRUSLB660 BRACKET, END CAPS

A1091



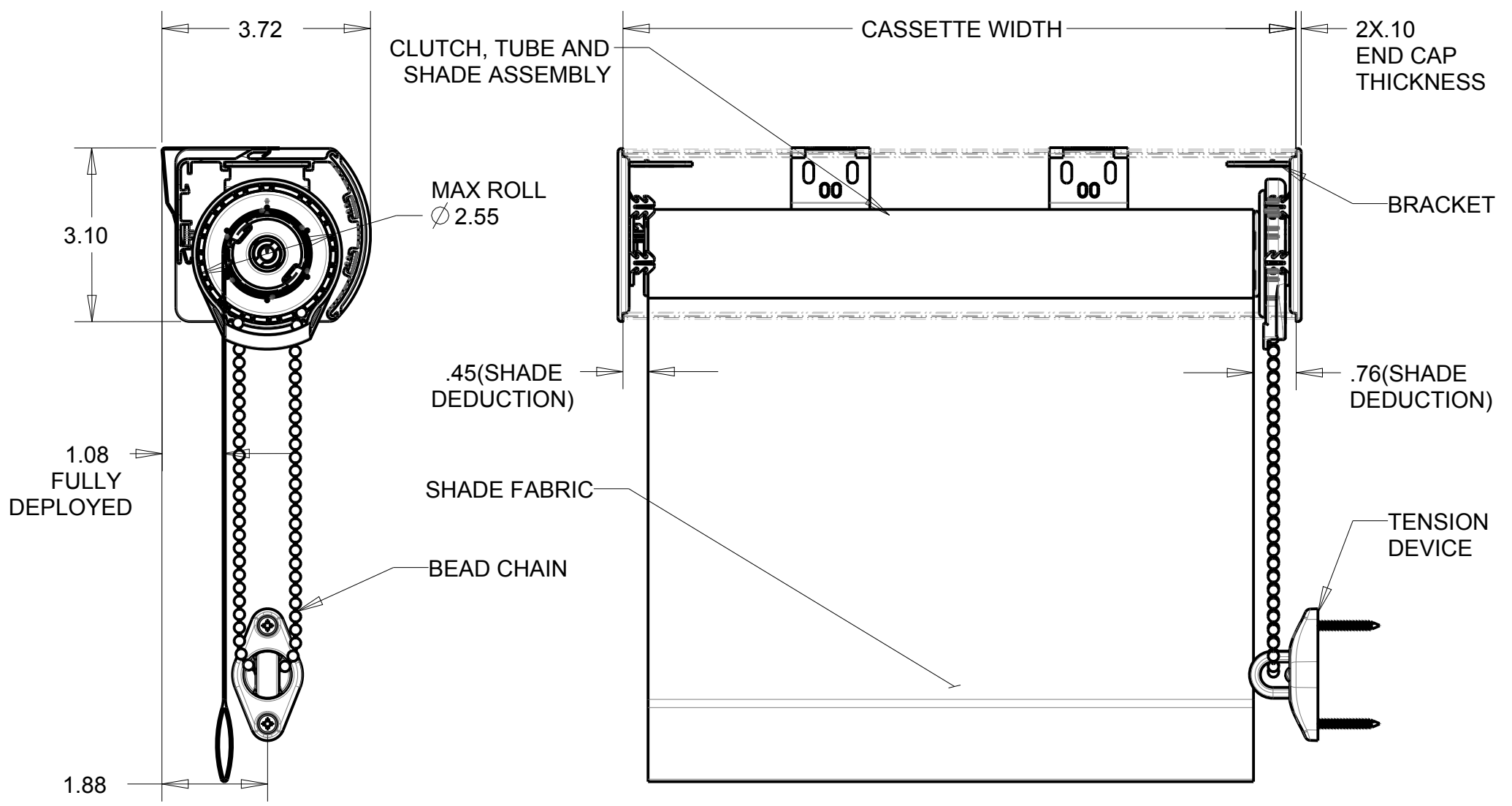
RollEase Headquarters
200 Harvard Avenue
Stamford, CT 06902-6320 USA
Office: 203.964.1573/ 800.552.5100
www.rollease.com



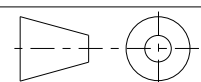
SCALE
NOT TO SCALE. DIMENSIONS IN INCHES.

DRAWN BY
MCC

REVISION
1



RollEase Headquarters
 200 Harvard Avenue
 Stamford, CT 06902-6320 USA
 Office: 203.964.1573/ 800.552.5100
 www.rollease.com



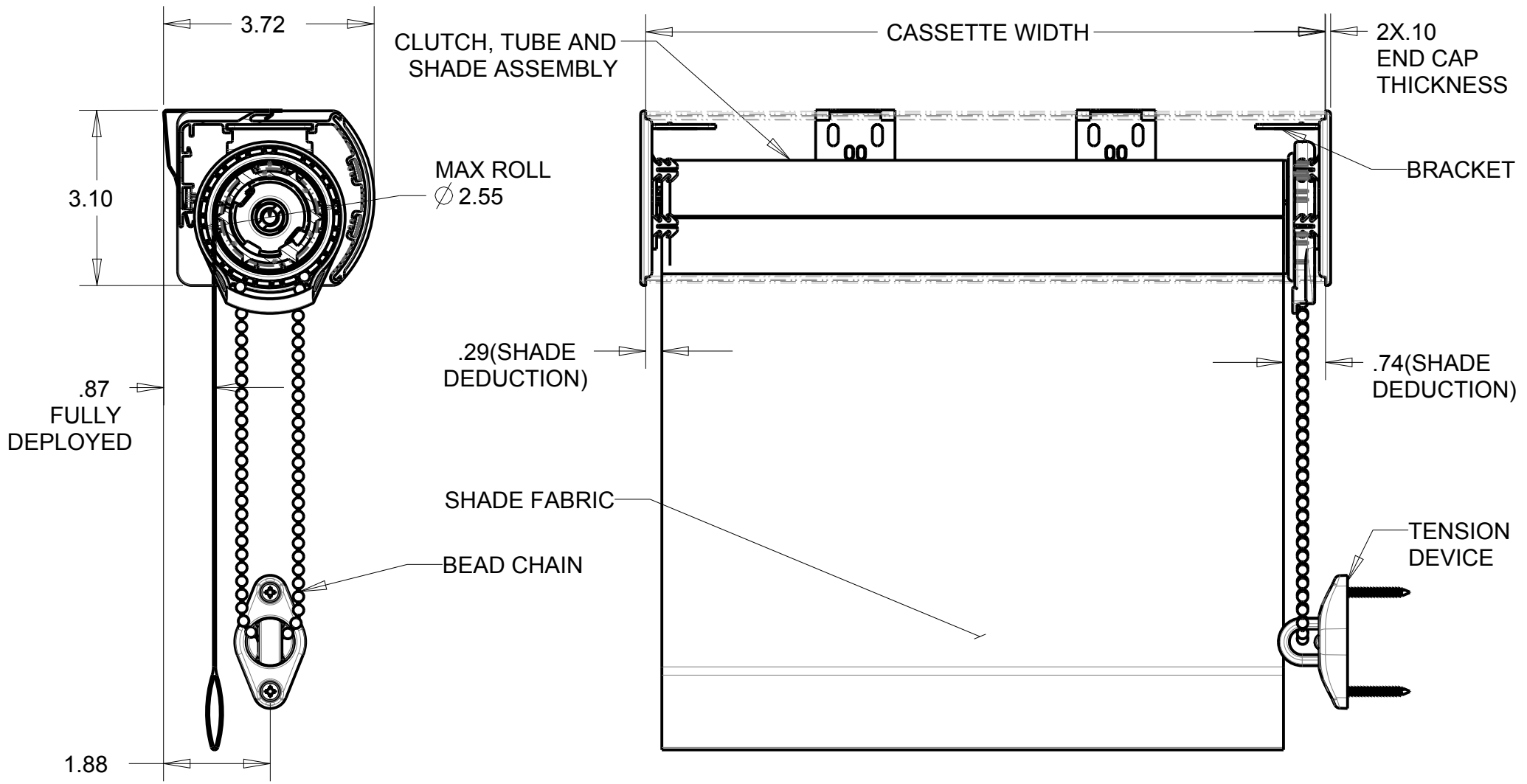
SCALE
 NOT TO SCALE. DIMENSIONS IN INCHES.

DRAWN BY
 MCC

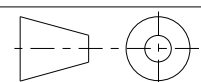
REVISION
 1

SKYLINE CASSETTE 100 , RGALH CLUTCH, RTEA5 2.0 DIA TUBE, RA2 ADAPTER, CRUSLB660 BRACKET, END CAPS

A1093



RollEase Headquarters
 200 Harvard Avenue
 Stamford, CT 06902-6320 USA
 Office: 203.964.1573/ 800.552.5100
 www.rollease.com

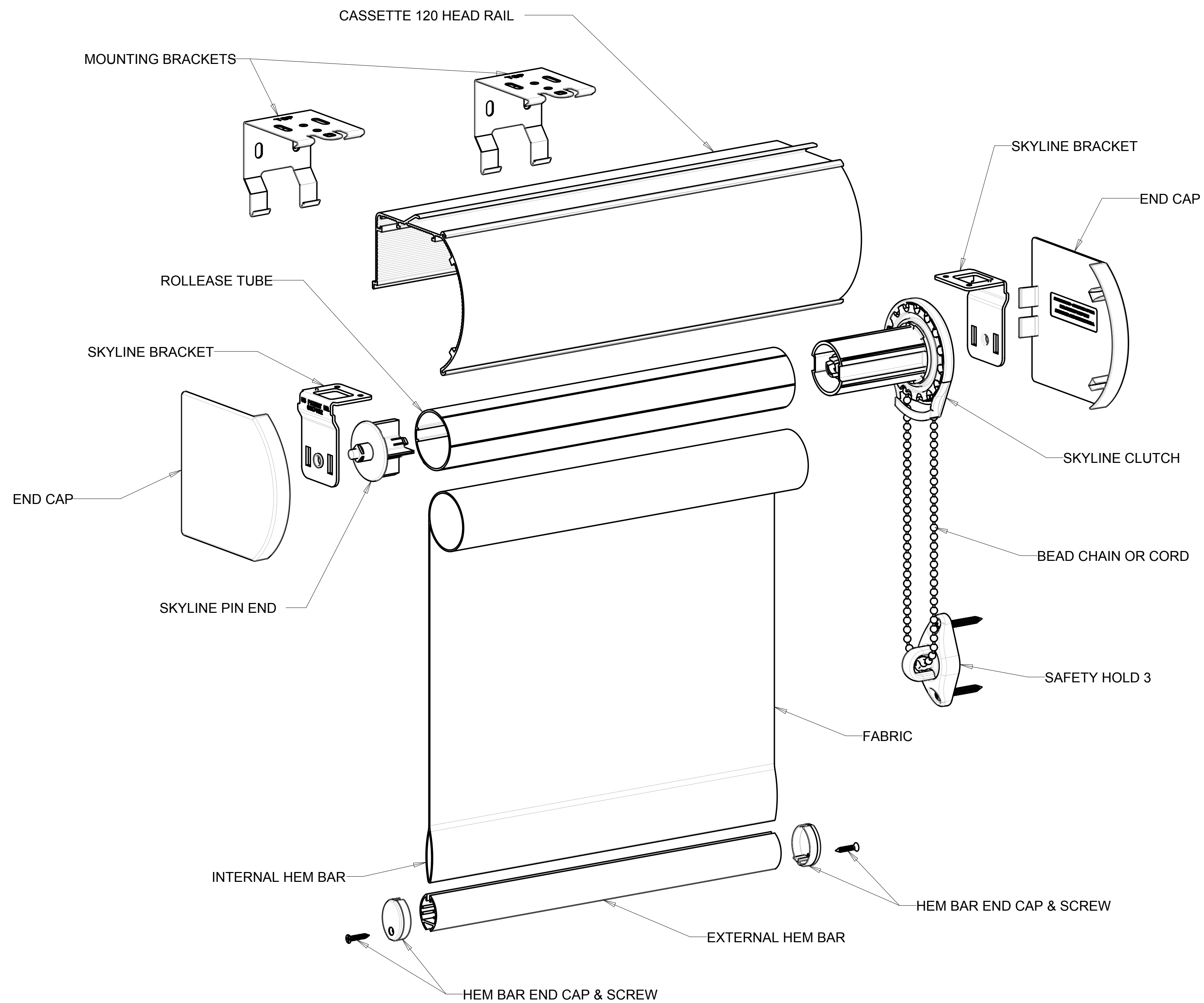


SCALE
 NOT TO SCALE. DIMENSIONS IN INCHES.

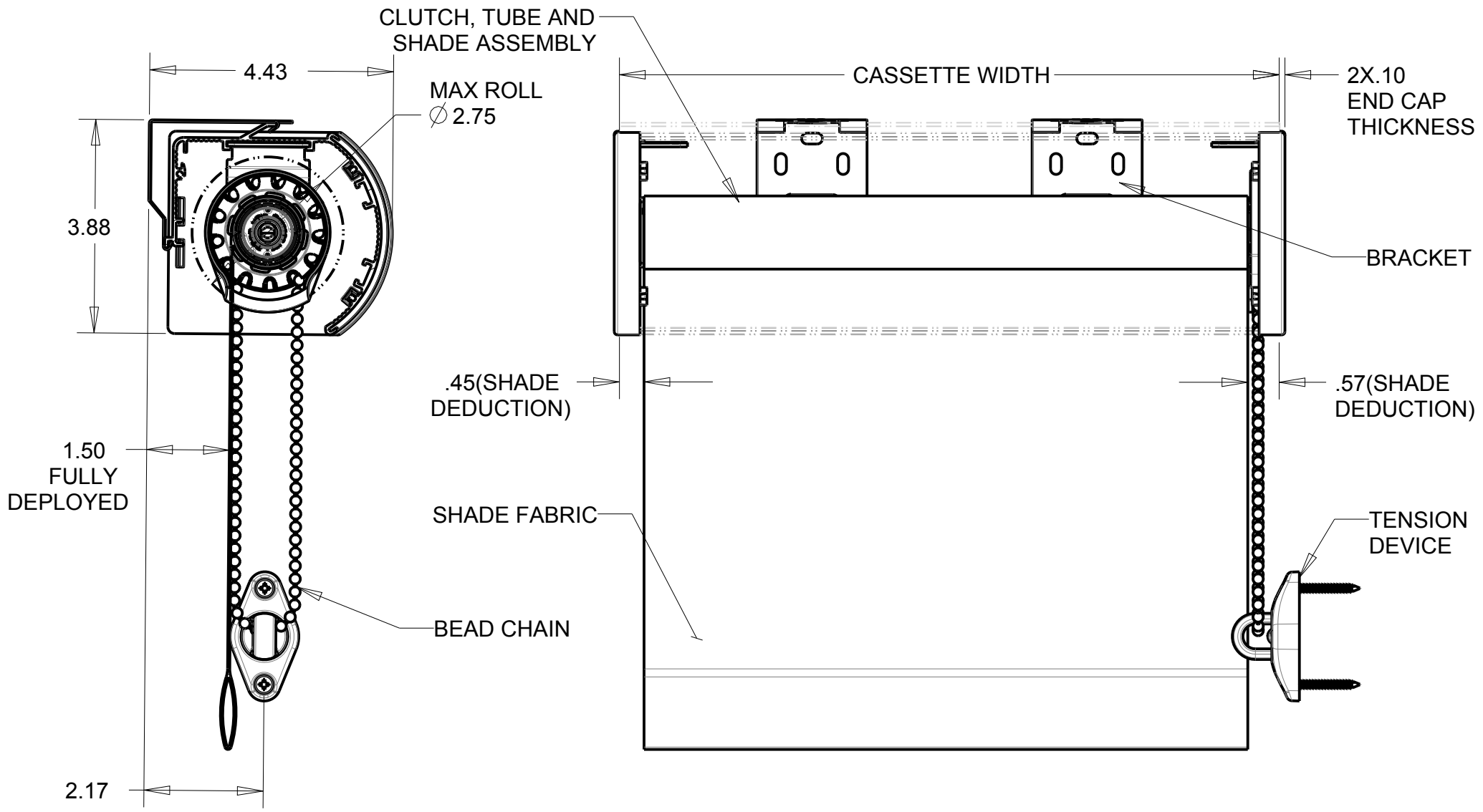
DRAWN BY
 MCC

REVISION
 1

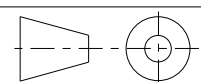
REVISION RECORD				
SYM	DESCRIPTION	BY	DATE	CHK



<small>THIS INFORMATION IS CONFIDENTIAL AND PROPRIETARY TO ROLLEASE, INC. THE POSSESSOR AGREES TO MAINTAIN THIS INFORMATION AS CONFIDENTIAL, NOT REPRODUCE OR DISSEMINATE IN WHOLE OR IN PART TO ANY THIRD PARTY.</small>	INCHES	RollEase Window Covering Systems		
	TOLERANCES			
	X.XX ± 0.015 X.XXX ± 0.005 ANG ± 1°	DRAW BY CDC	TITLE SKYLINE CASSETTE 120	SCALE 1.20
	DATE 07MAY13	DESIGNED BY D NTS	ENGINEERING NUMBER SL8	REV 1



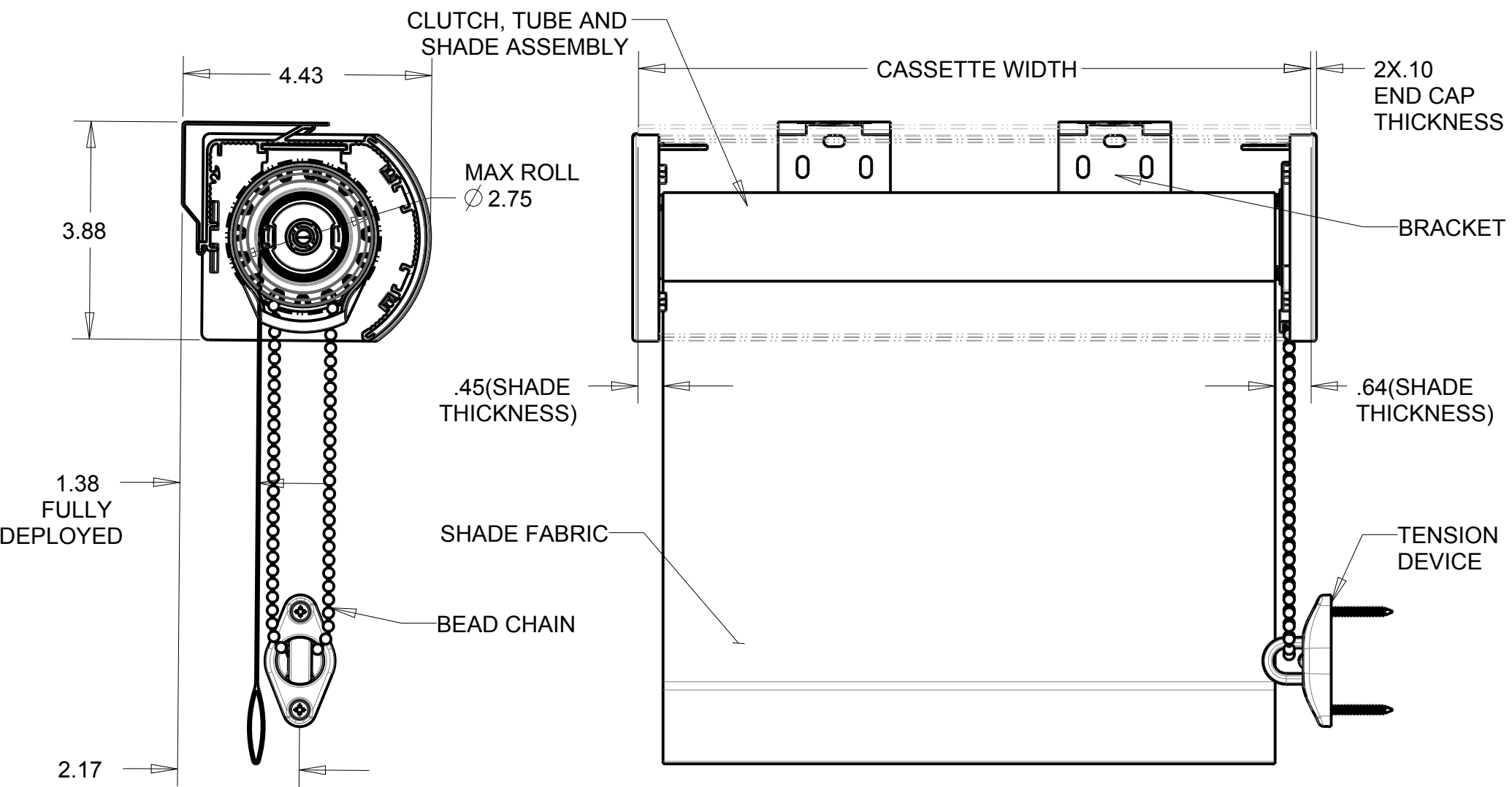
RollEase Headquarters
 200 Harvard Avenue
 Stamford, CT 06902-6320 USA
 Office: 203.964.1573/ 800.552.5100
 www.rollease.com



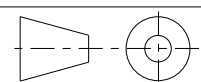
SCALE
 NOT TO SCALE. DIMENSIONS IN INCHES.

DRAWN BY
 MCC

REVISION
 1



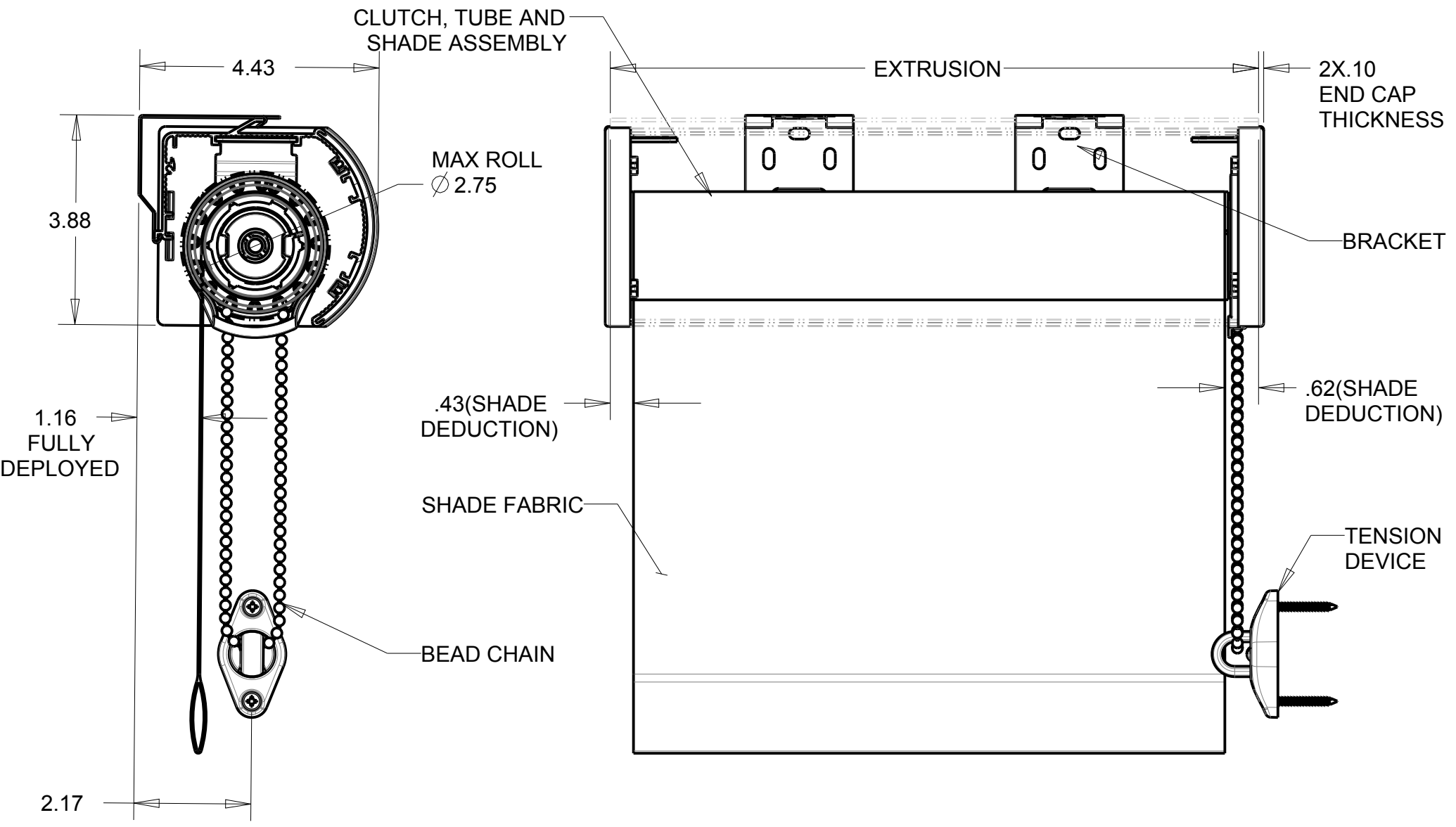
RollEase Headquarters
 200 Harvard Avenue
 Stamford, CT 06902-6320 USA
 Office: 203.964.1573/ 800.552.5100
 www.rollease.com



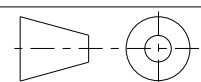
SCALE
 NOT TO SCALE. DIMENSIONS IN INCHES.

DRAWN BY
 MCC

REVISION



RollEase Headquarters
 200 Harvard Avenue
 Stamford, CT 06902-6320 USA
 Office: 203.964.1573/ 800.552.5100
 www.rollease.com



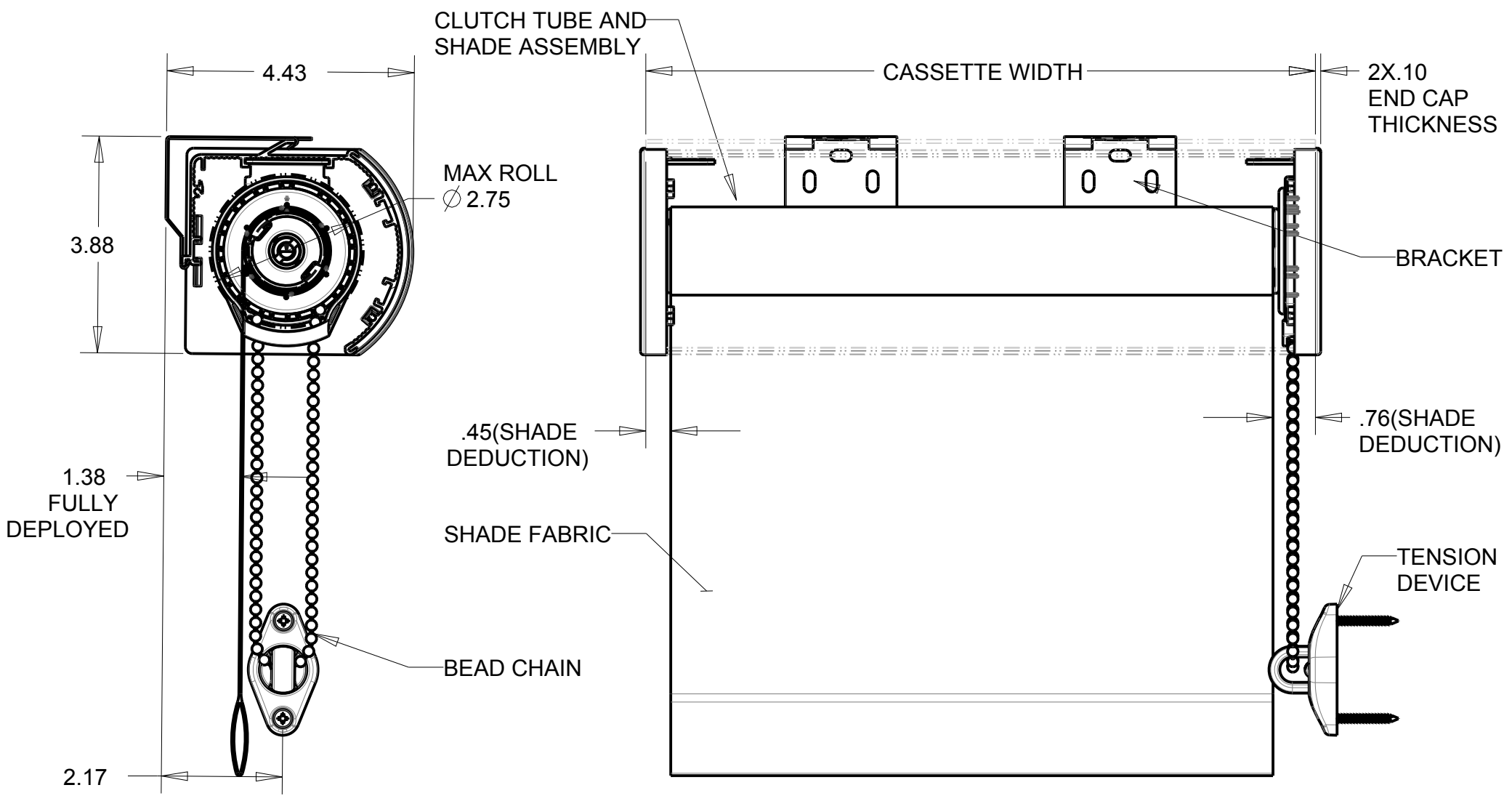
SCALE
 NOT TO SCALE. DIMENSIONS IN INCHES.

DRAWN BY
 MCC

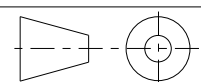
REVISION
 1

SKYLINE CASSETTE 120 , G200 CLUTCH, 1.5IN TUBE, CRUSLB660
BRACKET

A1106



RollEase Headquarters
200 Harvard Avenue
Stamford, CT 06902-6320 USA
Office: 203.964.1573/ 800.552.5100
www.rollease.com



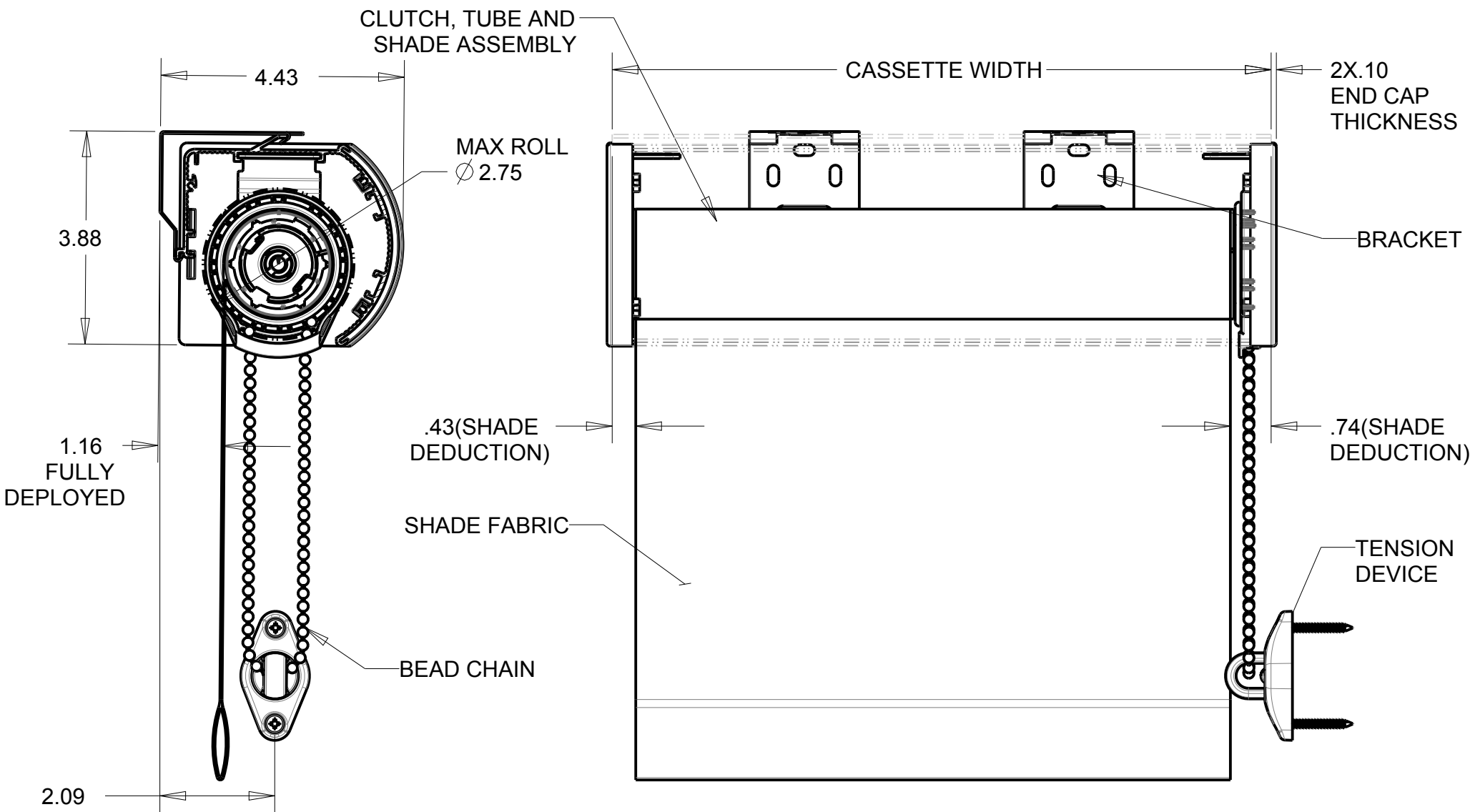
SCALE
NOT TO SCALE. DIMENSIONS IN INCHES.

DRAWN BY
MCC

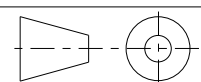
REVISION
1

SKYLINE CASSETTE 120 , G200 CLUTCH, 2.0IN TUBE, RA2 ADAPTER, CRUSLB680 BRACKET

A1107



RollEase Headquarters
 200 Harvard Avenue
 Stamford, CT 06902-6320 USA
 Office: 203.964.1573/ 800.552.5100
 www.rollease.com

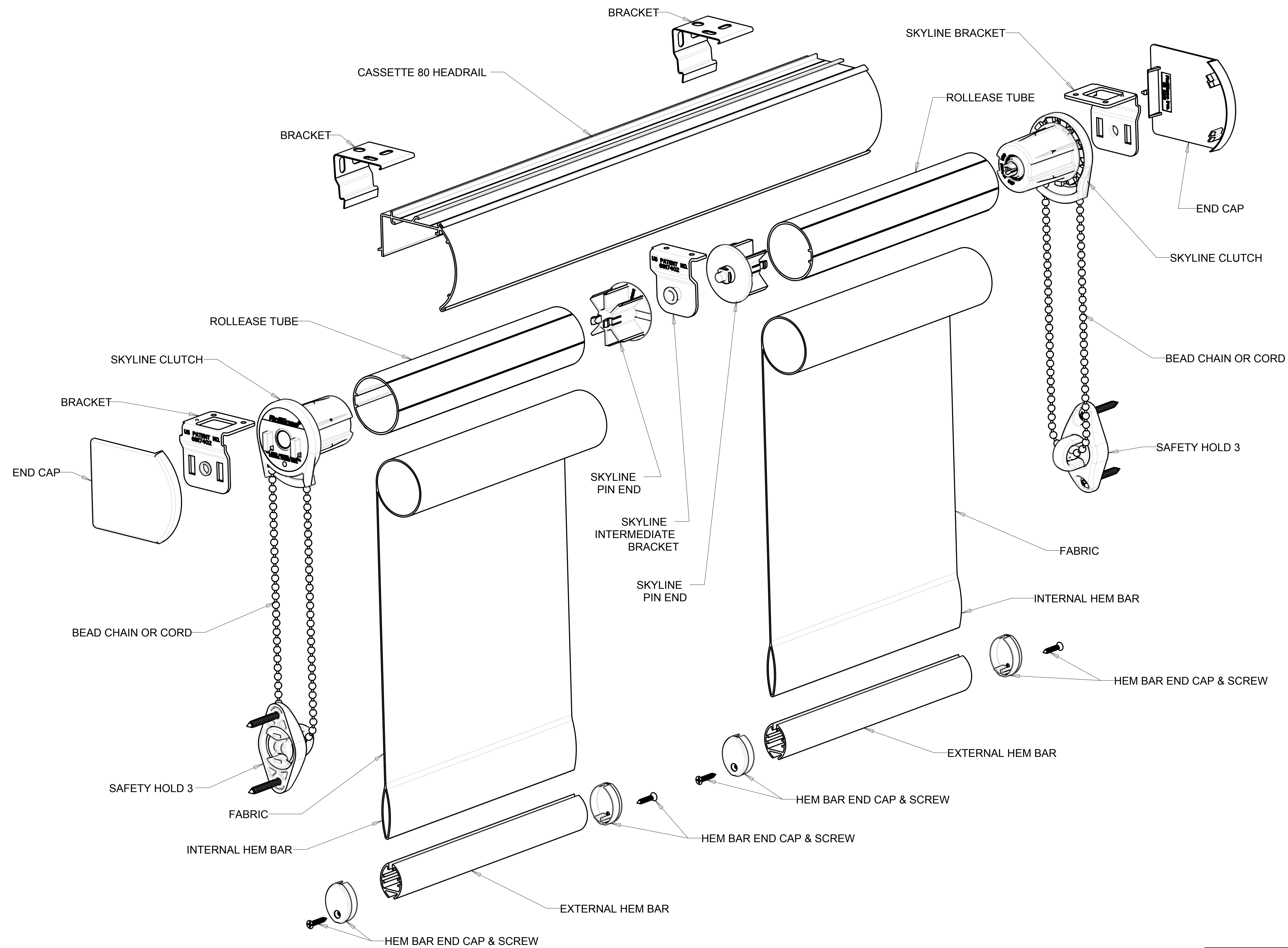


SCALE
 NOT TO SCALE. DIMENSIONS IN INCHES.

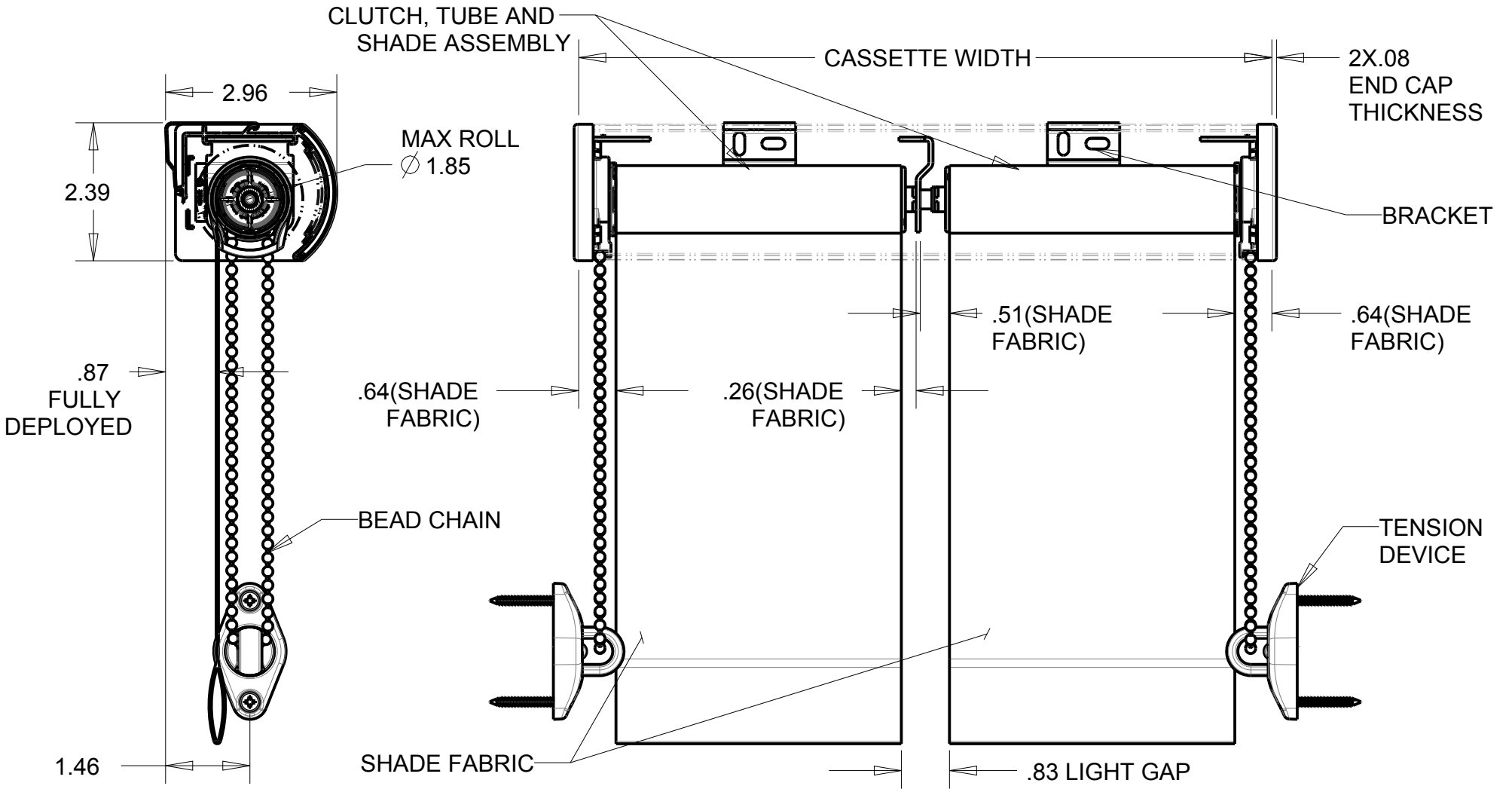
DRAWN BY
 MCC

REVISION
 1

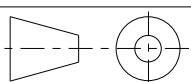
REVISION RECORD				
SYM	DESCRIPTION	BY	DATE	CHK



<small>THIS INFORMATION IS CONFIDENTIAL AND PROPRIETARY TO ROLLEASE, INC. THE POSSESSOR AGREES TO MAINTAIN THIS INFORMATION AS CONFIDENTIAL, NOT REPRODUCE OR RELEASE IN WHOLE OR IN PART TO ANY THIRD PARTY.</small>	INCHES	RollEase Window Covering Systems		
	TOLERANCES	<small>XXX ± 0.015</small> <small>XXXX ± 0.005</small> <small>ANG ± 1°</small>	<small>DESIGNED BY</small> CDC	<small>TITLE</small> SKYLINE MULTIPLE IN-LINE SHADES WITH CASSETTE 80
	<small>DATE</small> 13MAY13	<small>SCALE</small> D NTS	<small>PROJECT</small> SL13	<small>REV</small> 1.16
	<small>THIS INFORMATION IS CONFIDENTIAL AND PROPRIETARY TO ROLLEASE, INC. THE POSSESSOR AGREES TO MAINTAIN THIS INFORMATION AS CONFIDENTIAL, NOT REPRODUCE OR RELEASE IN WHOLE OR IN PART TO ANY THIRD PARTY.</small>			



RollEase Headquarters
 200 Harvard Avenue
 Stamford, CT 06902-6320 USA
 Office: 203.964.1573/ 800.552.5100
 www.rollease.com



SCALE

NOT TO SCALE. DIMENSIONS IN INCHES.

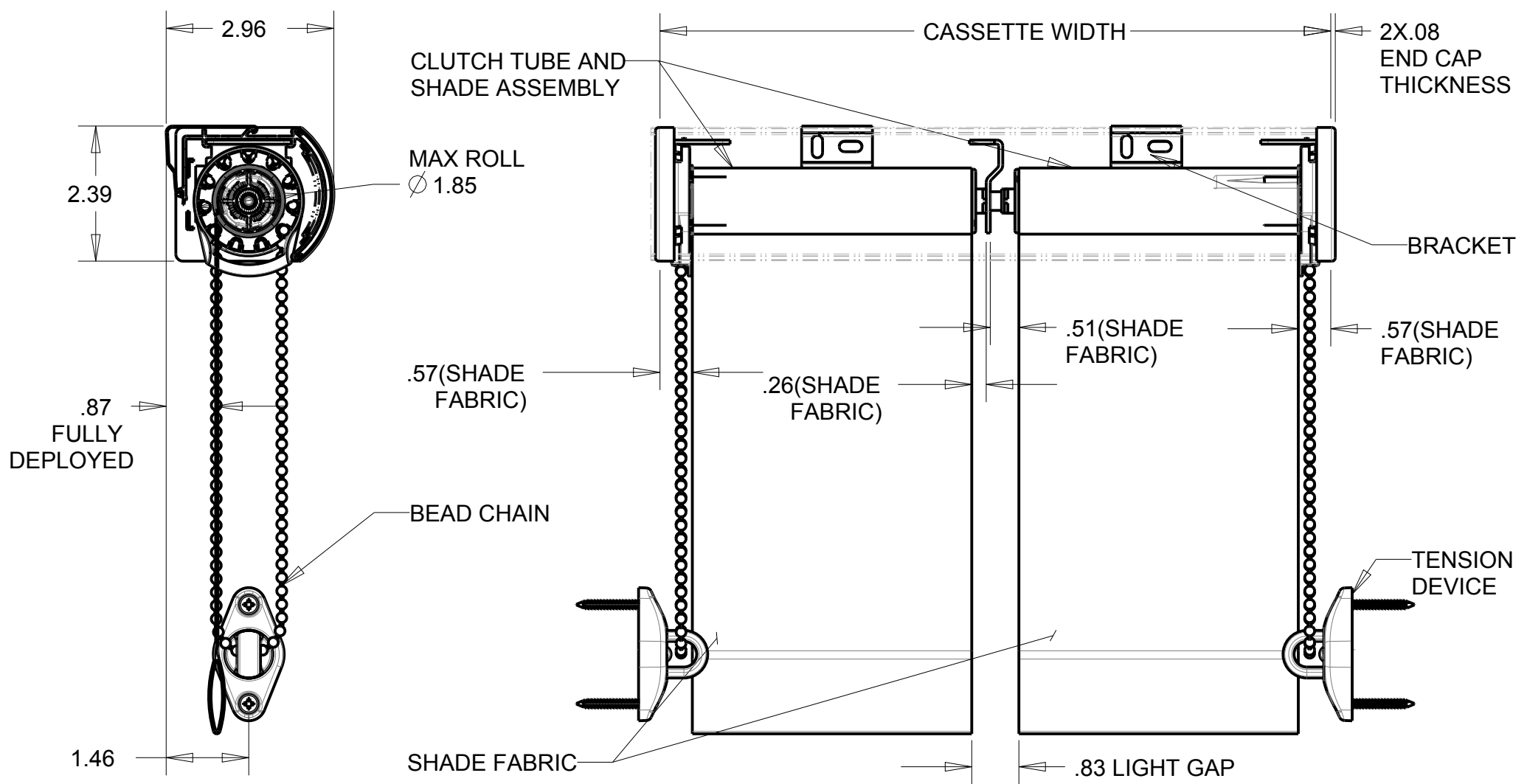
DRAWN BY

MCC

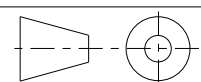
REVISION

SKYLINE CASSETTE 80 , SL10 CLUTCH, 1.125IN TUBE, CRUSLB660 & INTERMEDIATE BRACKET

A1109



RollEase Headquarters
 200 Harvard Avenue
 Stamford, CT 06902-6320 USA
 Office: 203.964.1573/ 800.552.5100
 www.rollease.com



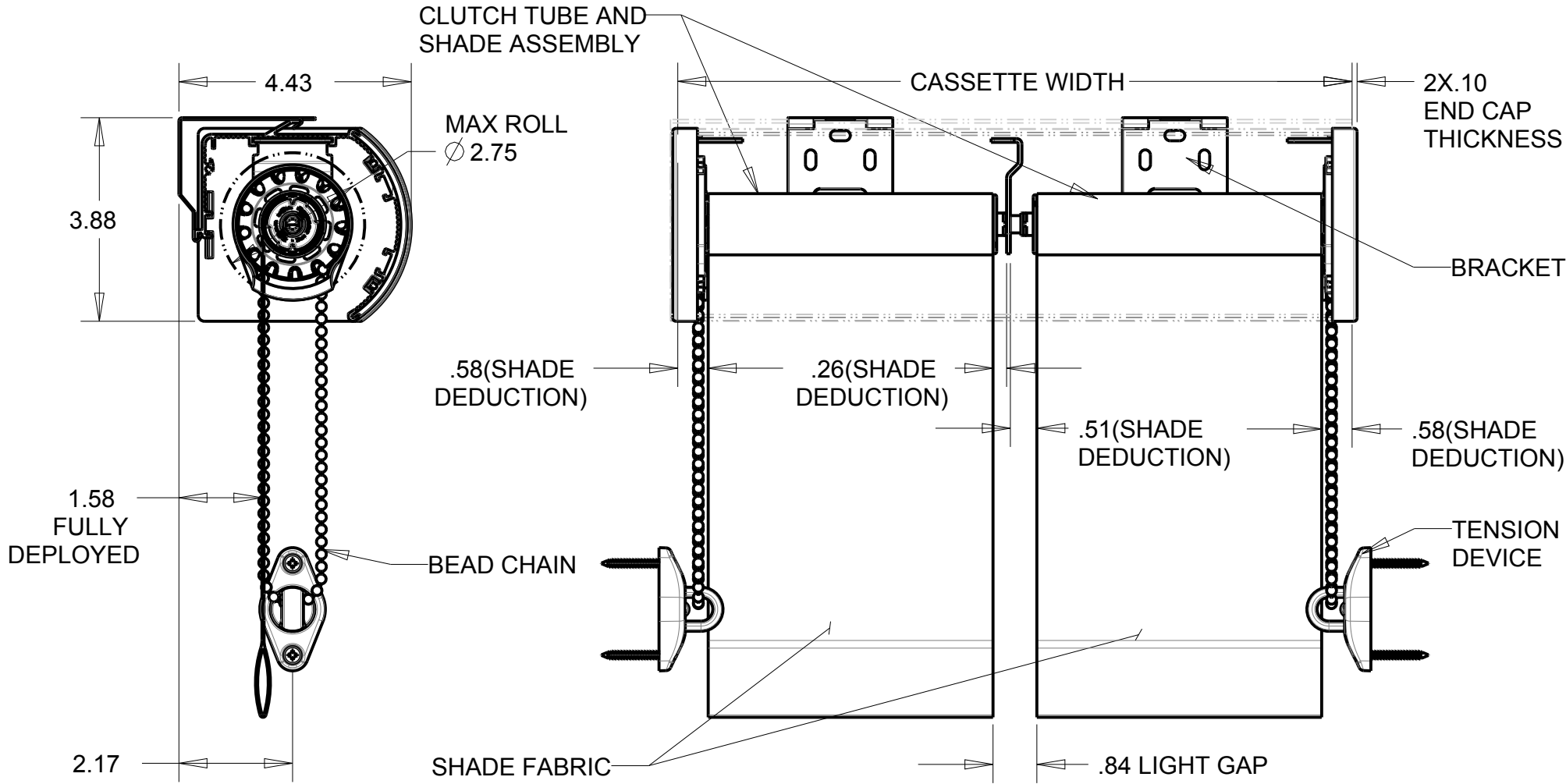
SCALE

NOT TO SCALE. DIMENSIONS IN INCHES.

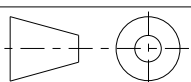
DRAWN BY

MCC

REVISION



RollEase Headquarters
 200 Harvard Avenue
 Stamford, CT 06902-6320 USA
 Office: 203.964.1573/ 800.552.5100
 www.rollease.com



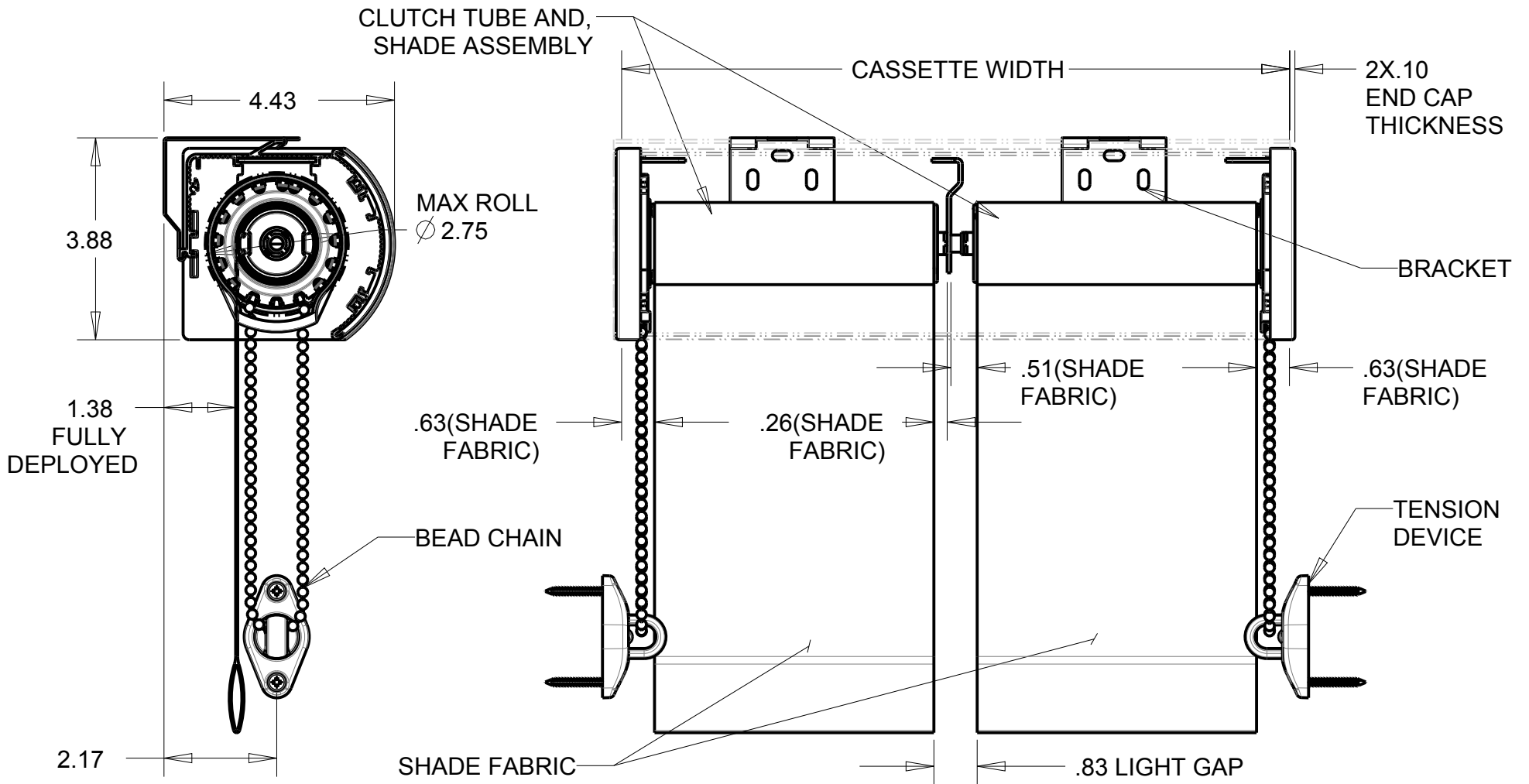
SCALE
 NOT TO SCALE. DIMENSIONS IN INCHES.

DRAWN BY
 MCC

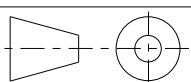
REVISION

SKYLINE CASSETTE 120 , SL20 CLUTCH, 1.5IN TUBE, CRUSLB660 & INTERMEDIATE BRACKET

A1111



RollEase Headquarters
 200 Harvard Avenue
 Stamford, CT 06902-6320 USA
 Office: 203.964.1573/ 800.552.5100
 www.rollease.com



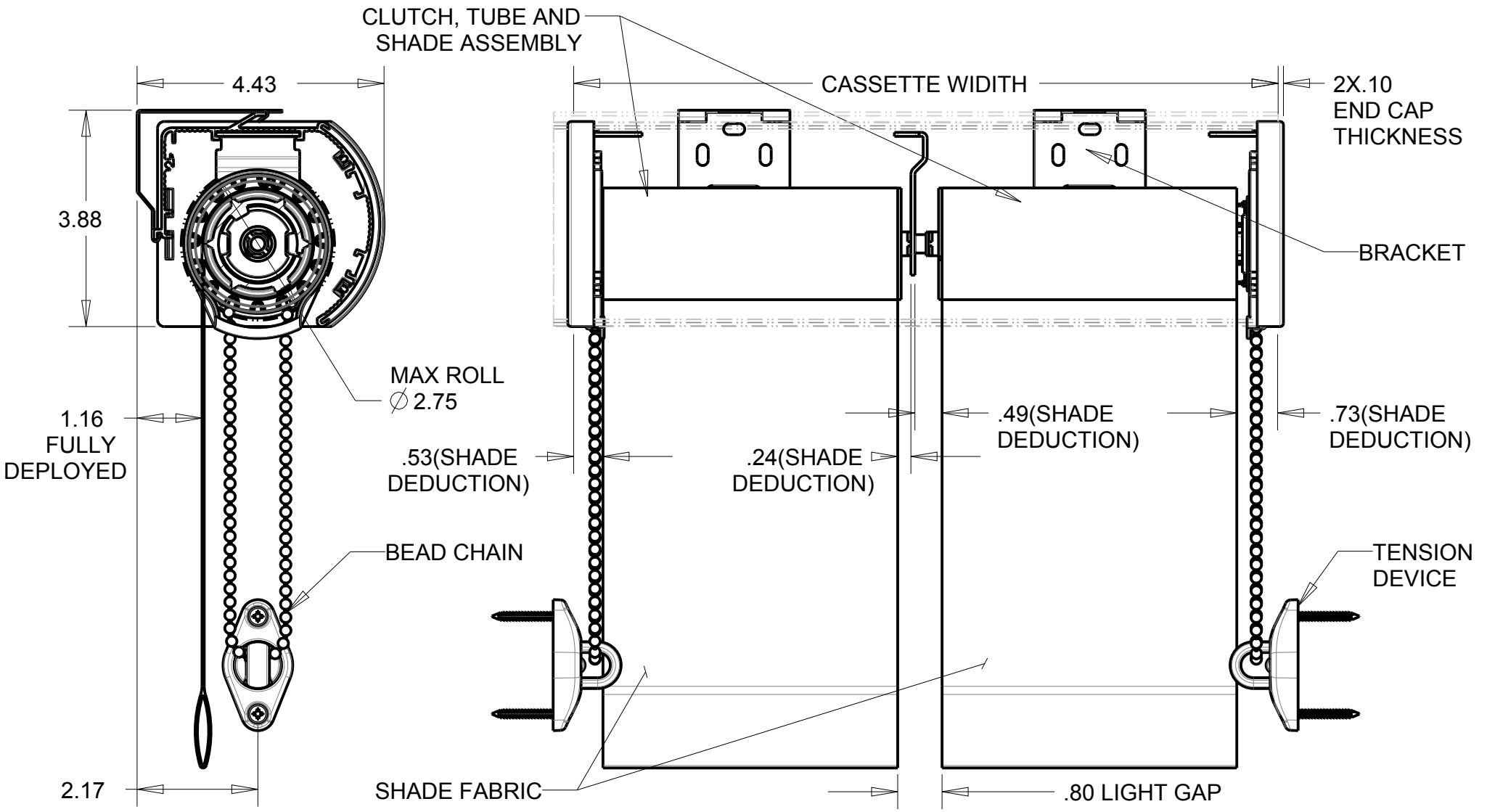
SCALE
 NOT TO SCALE. DIMENSIONS IN INCHES.

DRAWN BY
 MCC

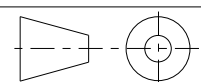
REVISION

SKYLINE CASSETTE 120 , SL20 CLUTCH, 2.0IN TUBE, RA2 ADAPTER
 CRUSLB680 & INTERMEDIATE BRACKET

A1112



RollEase Headquarters
 200 Harvard Avenue
 Stamford, CT 06902-6320 USA
 Office: 203.964.1573/ 800.552.5100
 www.rollease.com



SCALE

NOT TO SCALE. DIMENSIONS IN INCHES.

DRAWN BY

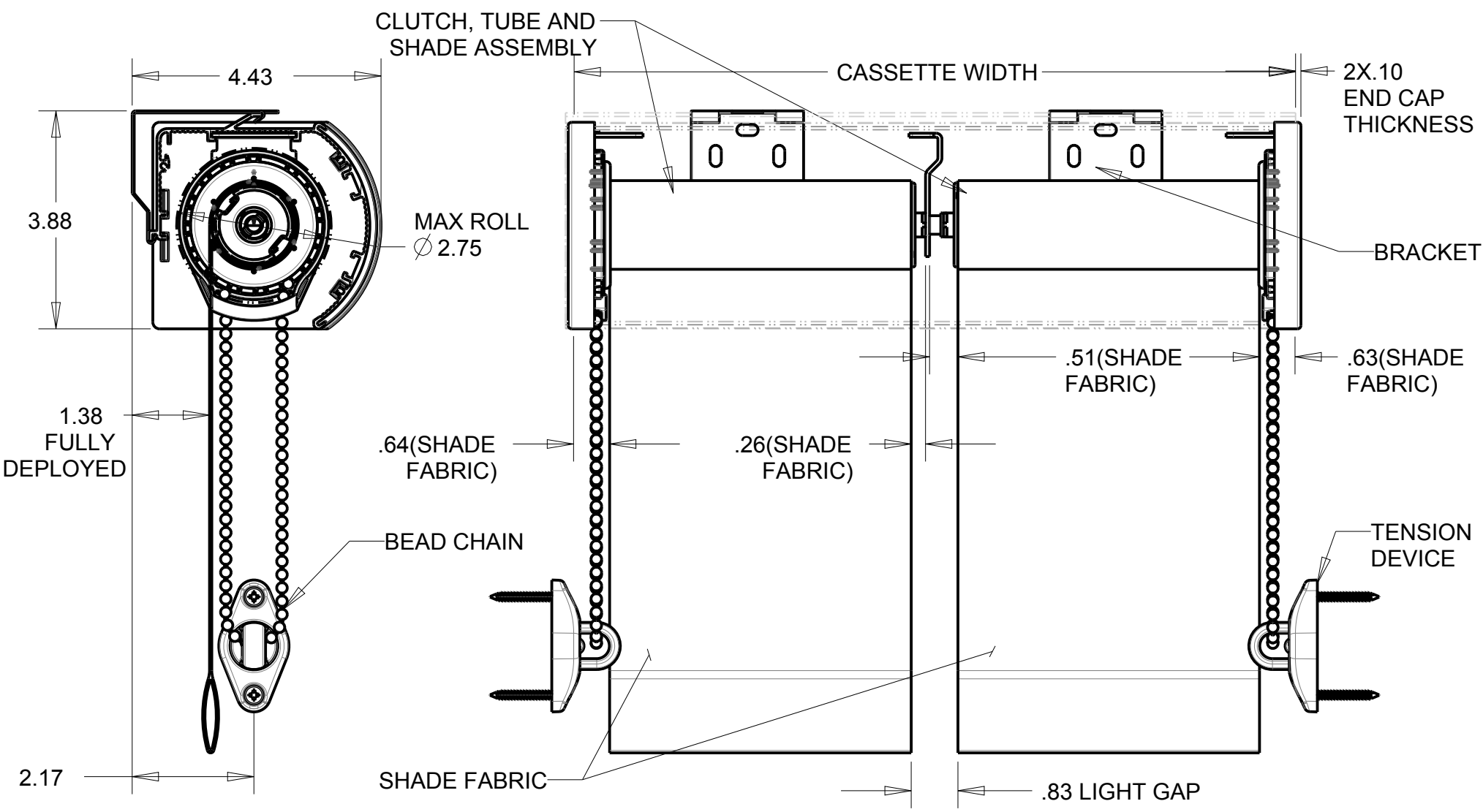
MCC

REVISION

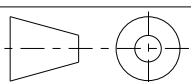
1

SKYLINE CASSETTE 120 , G200 CLUTCH, 1.5IN TUBE, CRUSLB660 & INTERMEDIATE BRACKET

A1113



RollEase Headquarters
 200 Harvard Avenue
 Stamford, CT 06902-6320 USA
 Office: 203.964.1573/ 800.552.5100
 www.rollease.com



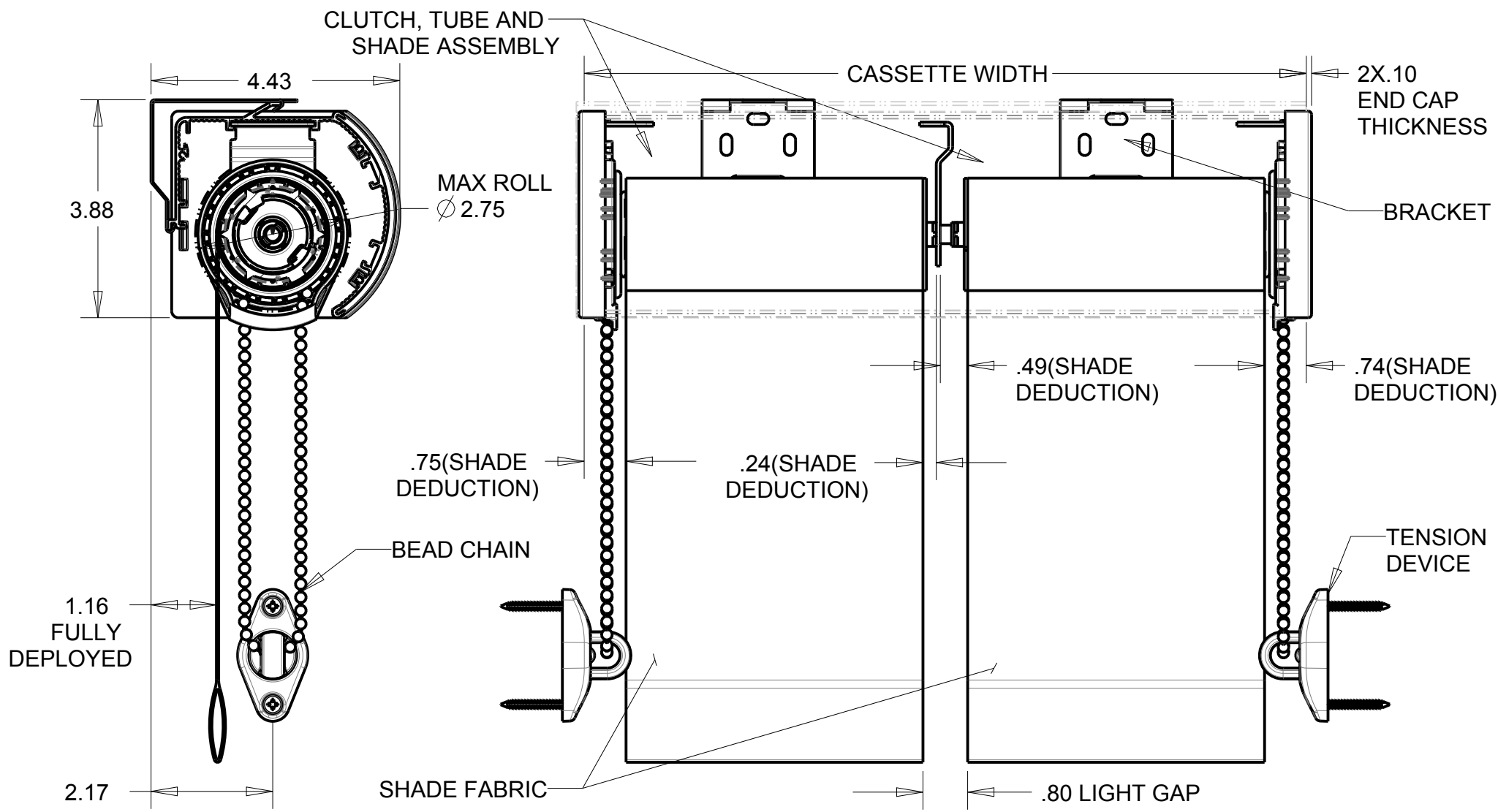
SCALE

NOT TO SCALE. DIMENSIONS IN INCHES.

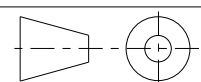
DRAWN BY

MCC

REVISION



RollEase Headquarters
 200 Harvard Avenue
 Stamford, CT 06902-6320 USA
 Office: 203.964.1573/ 800.552.5100
 www.rollease.com

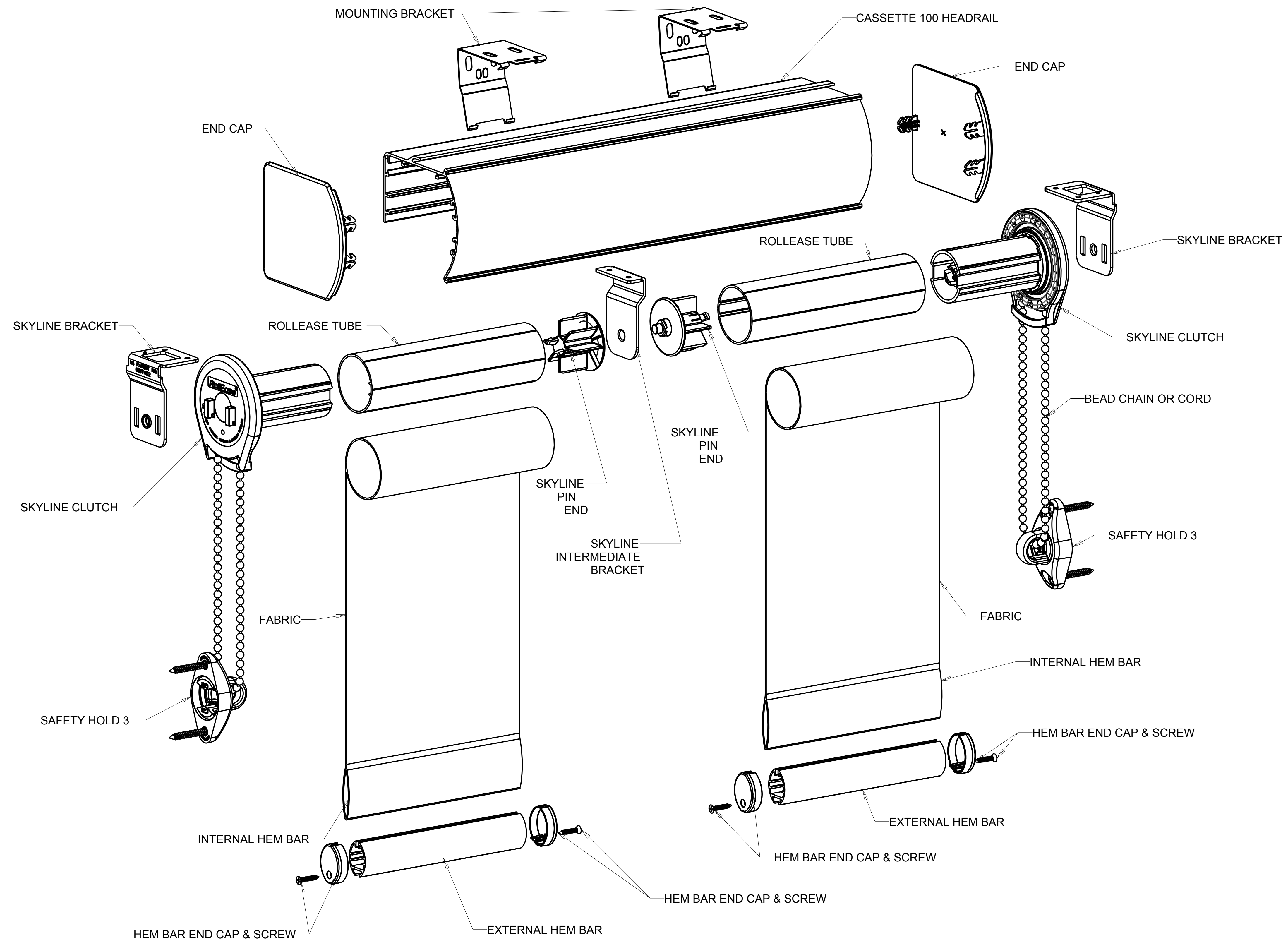


SCALE
 NOT TO SCALE. DIMENSIONS IN INCHES.

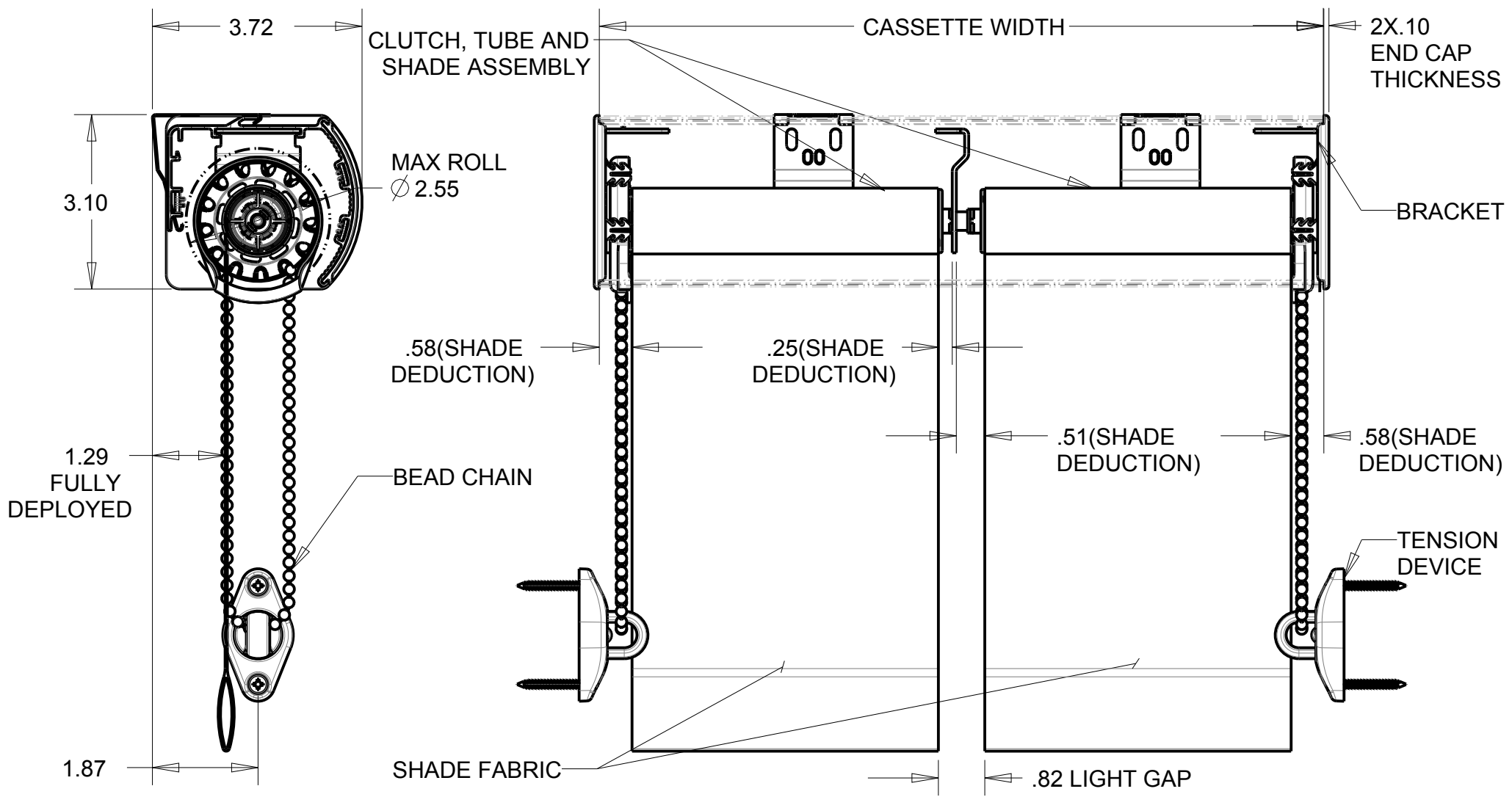
DRAWN BY
 MCC

REVISION
 1

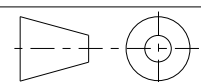
REVISION RECORD				
SYM	DESCRIPTION	BY	DATE	CHK



<small>THIS INFORMATION IS CONFIDENTIAL AND PROPRIETARY TO ROLLEASE, INC. THE POSSESSOR AGREES TO MAINTAIN THIS INFORMATION AS CONFIDENTIAL, NOT REPRODUCE OR DISSEMINATE IN WHOLE OR IN PART TO ANY THIRD PARTY.</small>	INCHES TOLERANCES .XX ± .015 .XXX ± .005 ANG ± 1°	RollEase® <small>Window Covering Systems</small> RollEase, Inc. STAMFORD, CT		
	DATE: _____ DSC: _____ SCALE: _____ D	USED ON: _____ TITLE: SKYLINE CASSETTE 100 INLINE SHADES	DESIGNED BY: _____ MCC	SOLD TO: _____ A1095
	DATE: _____ DSC: _____ SCALE: _____ D	USED ON: _____ TITLE: SKYLINE CASSETTE 100 INLINE SHADES	DESIGNED BY: _____ MCC	SOLD TO: _____ A1095
	DATE: _____ DSC: _____ SCALE: _____ D	USED ON: _____ TITLE: SKYLINE CASSETTE 100 INLINE SHADES	DESIGNED BY: _____ MCC	SOLD TO: _____ A1095



RollEase Headquarters
 200 Harvard Avenue
 Stamford, CT 06902-6320 USA
 Office: 203.964.1573/ 800.552.5100
 www.rollease.com



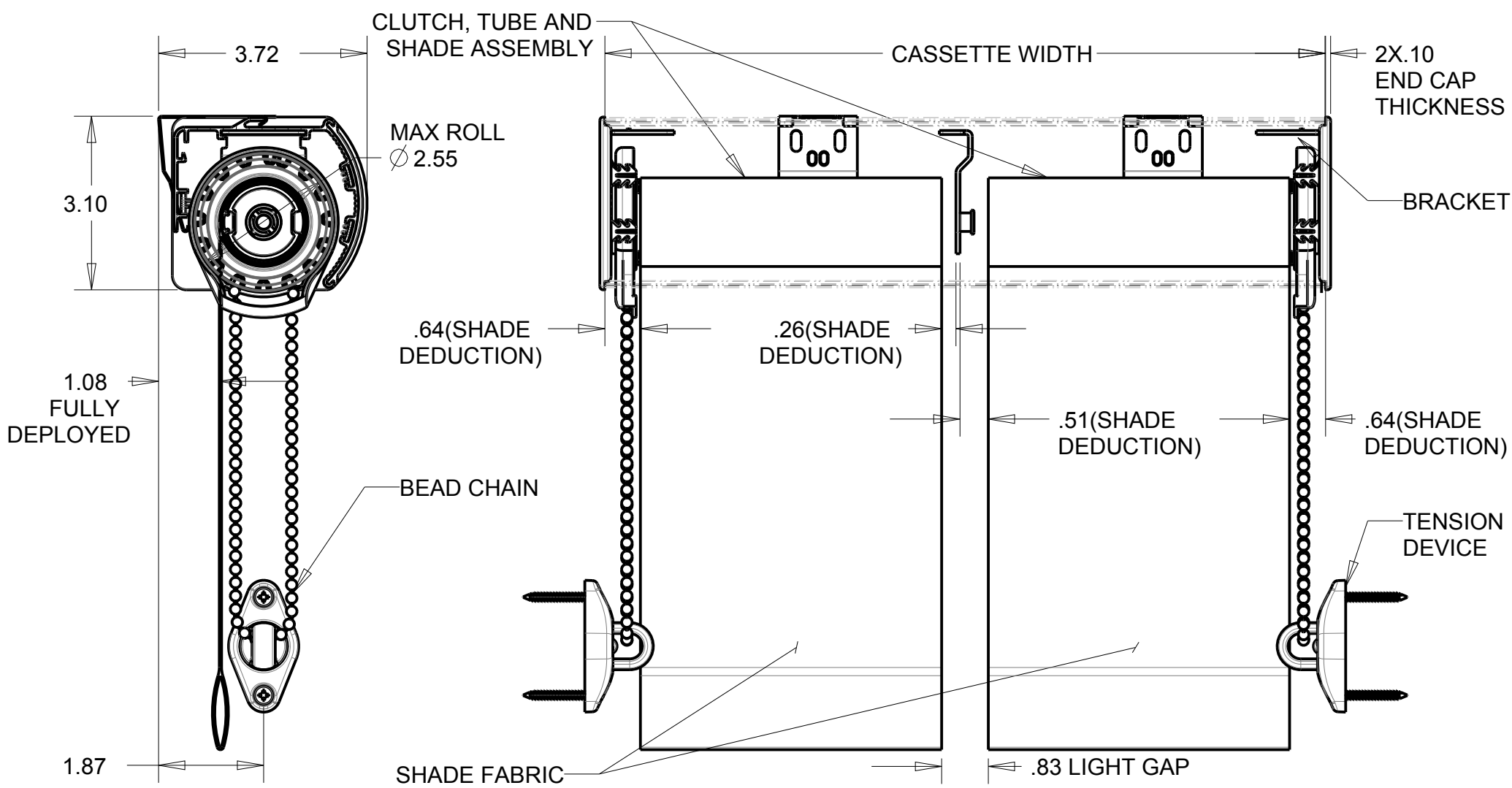
SCALE
 NOT TO SCALE. DIMENSIONS IN INCHES.

DRAWN BY
 MCC

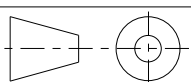
REVISION
 1

SKYLINE CASSETTE 100 , SL20H53 CLUTCH, RTEA4 1.5 DIA TUBE,
CRUSLB660 & CRIMSLB660 BRACKET, END CAPS

A1095



RollEase Headquarters
200 Harvard Avenue
Stamford, CT 06902-6320 USA
Office: 203.964.1573/ 800.552.5100
www.rollease.com



SCALE

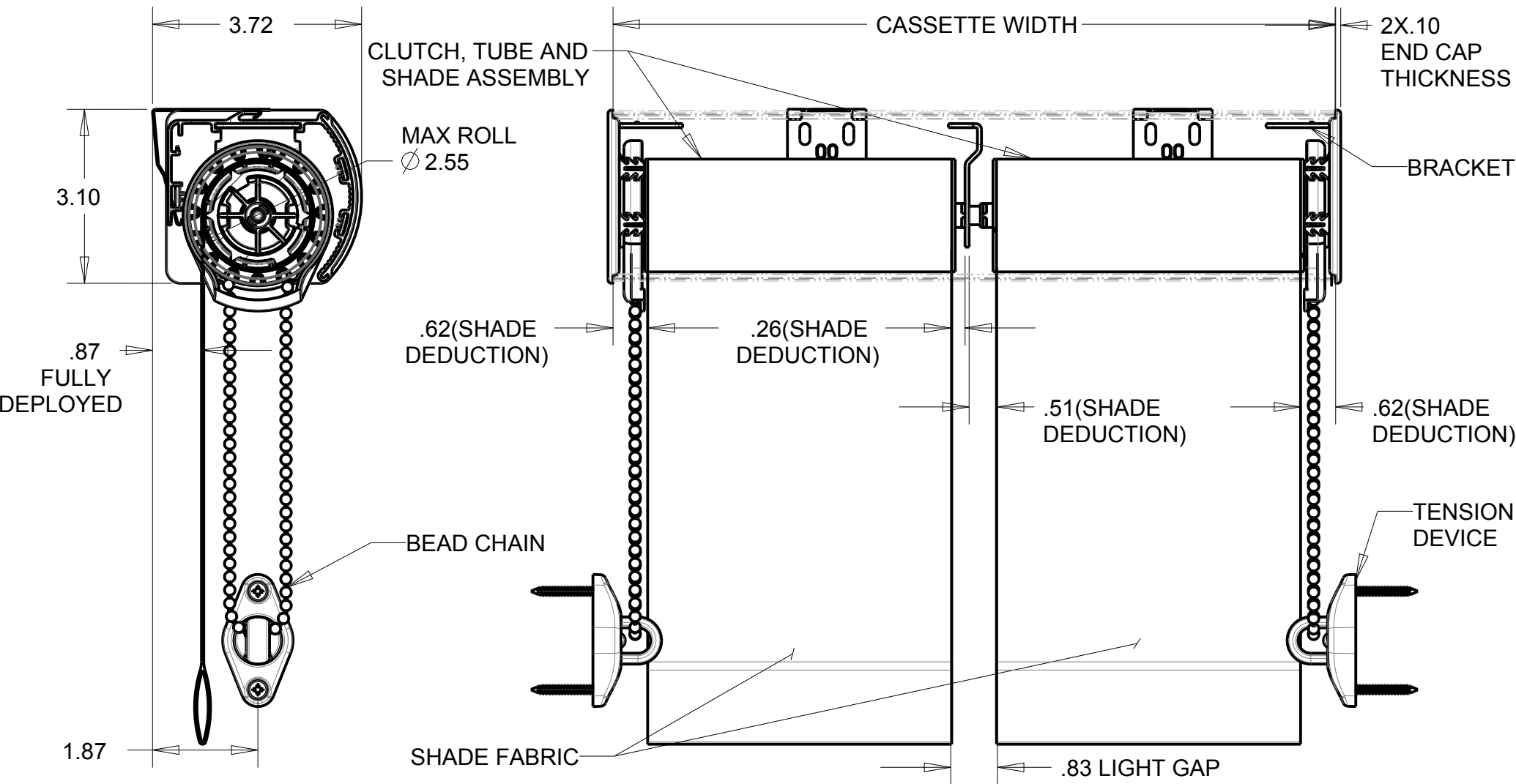
NOT TO SCALE. DIMENSIONS IN INCHES.

DRAWN BY

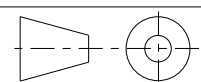
MCC

REVISION

1



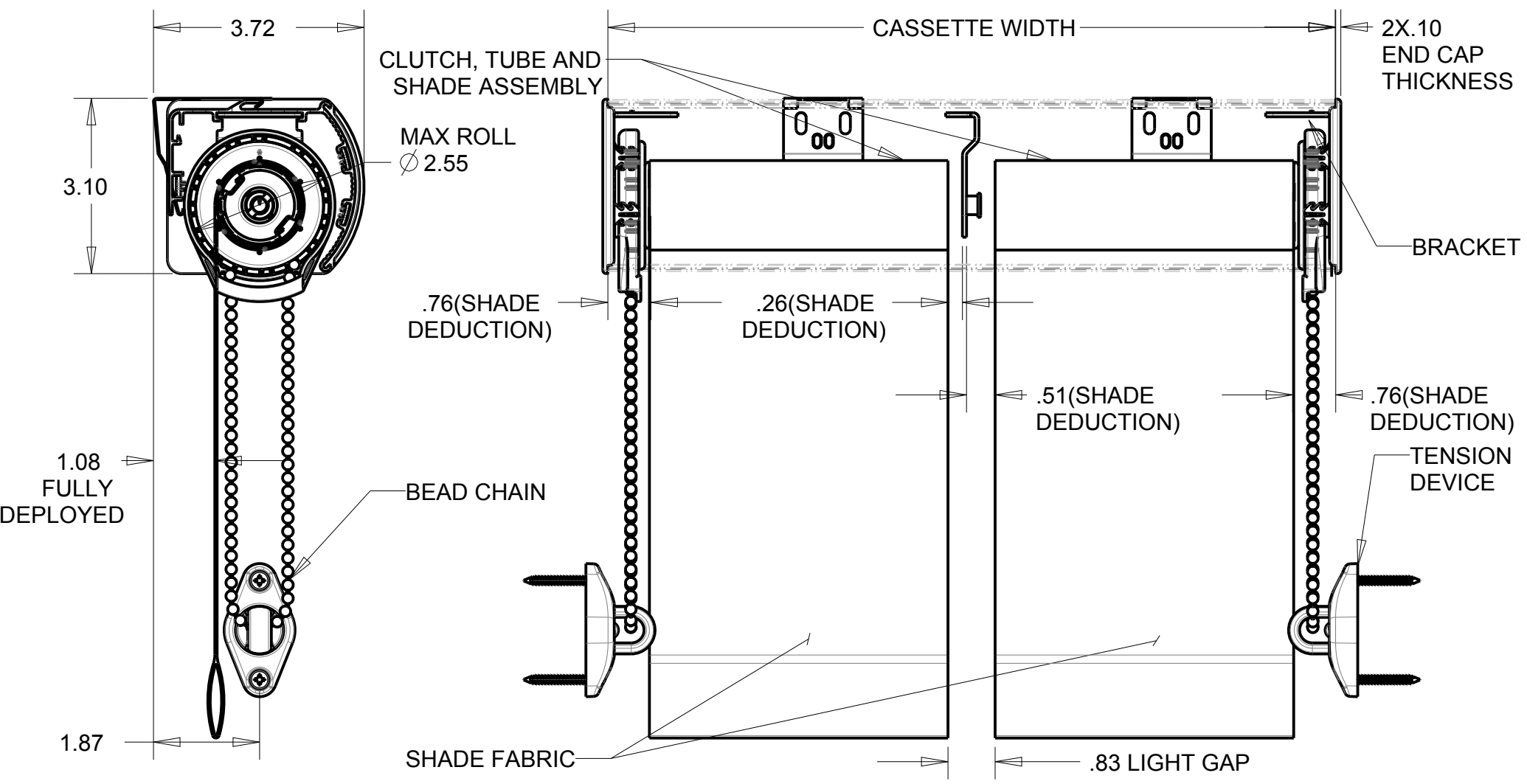
RollEase Headquarters
 200 Harvard Avenue
 Stamford, CT 06902-6320 USA
 Office: 203.964.1573/ 800.552.5100
 www.rollease.com



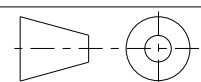
SCALE
 NOT TO SCALE. DIMENSIONS IN INCHES.

DRAWN BY
 MCC

REVISION
 1



RollEase Headquarters
 200 Harvard Avenue
 Stamford, CT 06902-6320 USA
 Office: 203.964.1573/ 800.552.5100
 www.rollease.com



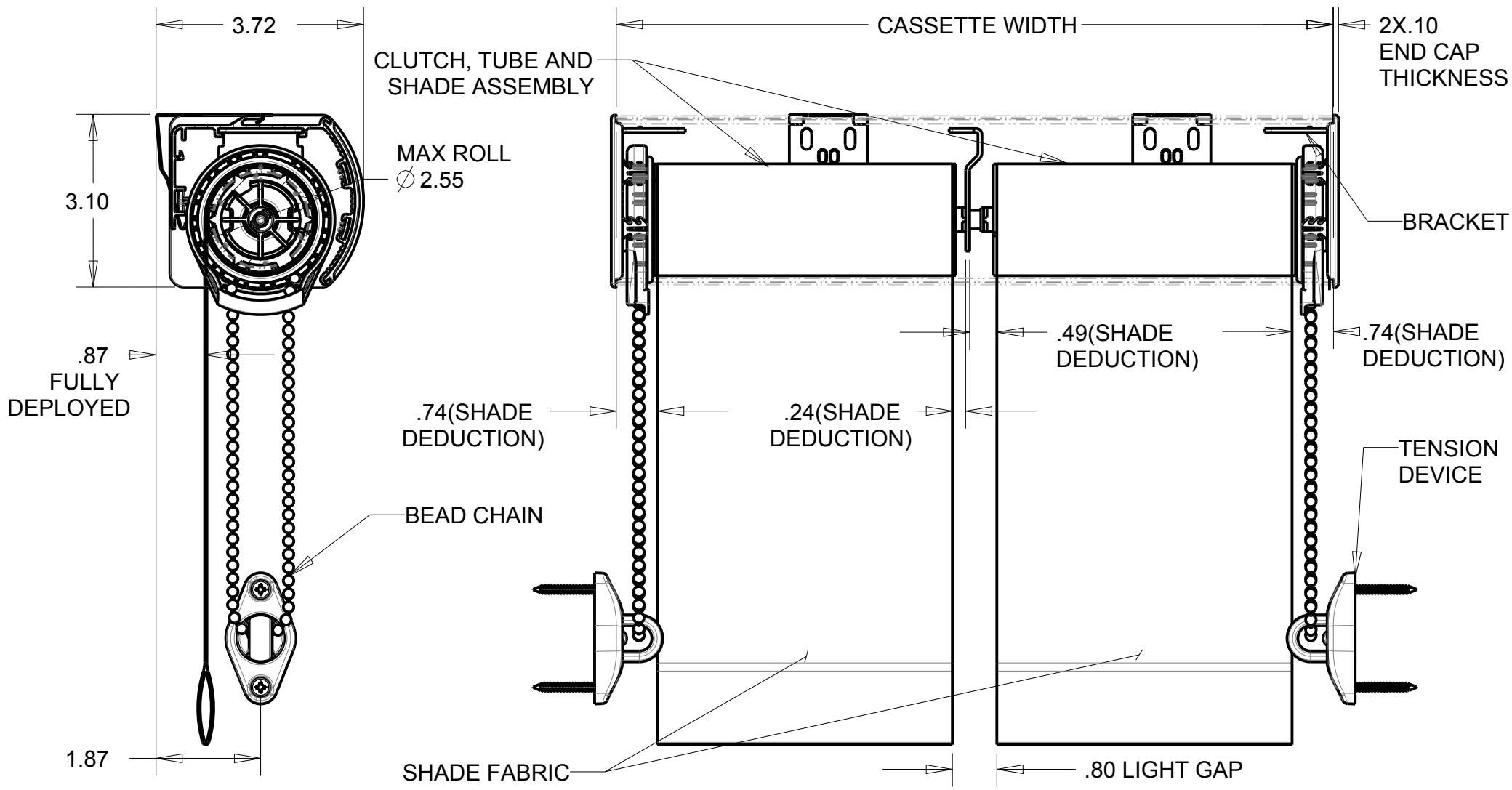
SCALE
 NOT TO SCALE. DIMENSIONS IN INCHES.

DRAWN BY
 MCC

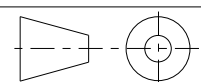
REVISION
 1

SKYLINE CASSETTE 100 , RGAH CLUTCH, RTEA5 2.0 DIA TUBE, RA2 ADAPTER, CRUSLB660 & CRIMSLB660 BRACKET, END CAPS

A1098



RollEase Headquarters
 200 Harvard Avenue
 Stamford, CT 06902-6320 USA
 Office: 203.964.1573/ 800.552.5100
 www.rollease.com



SCALE
 NOT TO SCALE. DIMENSIONS IN INCHES.

DRAWN BY
 MCC

REVISION
 1