

OVERVIEW: RB09 CHAINWINDER

Step into the future with Rollease Acmeda's flagship RB09 chain control system. Utilizing the very latest in technology, the RB09 brings over twenty years of experience into one cutting edge design. The RB09 sets the benchmark for performance, function, aesthetics, with faster assembly time, easy installation, best in class operation and a slender, high gloss finish. With a wide range of options and add-on features, the RB09 is one of the most comprehensive manual roller systems on the market.

AESTHETIC FEATURES

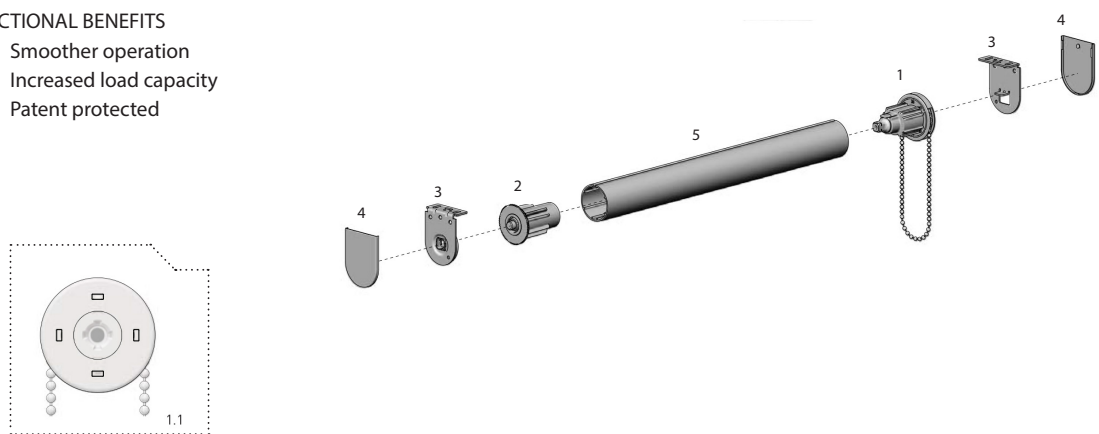
- High polished finish
- Reduced light gaps

ASSEMBLY / INSTALLATION BENEFITS

- New two piece snap-lock winder assembly
- Reduce chain assembly time by up to 75%
- 10mm plastic idler pin, extendable in 1mm increments
- Comfort grip release wheel
- Advanced snap lock booster fitment
- Self-locking installation feature (see figure 1.1)

FUNCTIONAL BENEFITS

- Smoother operation
- Increased load capacity
- Patent protected

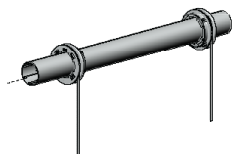


ADD ON SYSTEMS

EASY-LINK S45



ROMAN SPOOL SYSTEM



SYSTEM INDEX

1. RB09 Chainwinder
RB09-0145-xxx002
2. RB09 Easy Lock Extended Idler - S45
RB09-0245-xxx001
3. LX1 Easy-Lock Installation Bracket - 40&55p
RB09-0352-xxx040
RB09-0352-xxx055
4. LX/VX Bracket Cover Cap - 40&55p
RB08-4151-xxx040
RB08-4151-xxx055
5. Aluminum Tube - S45 (Light/Standard/HDI)
RB93-044#-000580

COLOR RANGE



SYSTEM OPTIONS

COMBO BRACKET

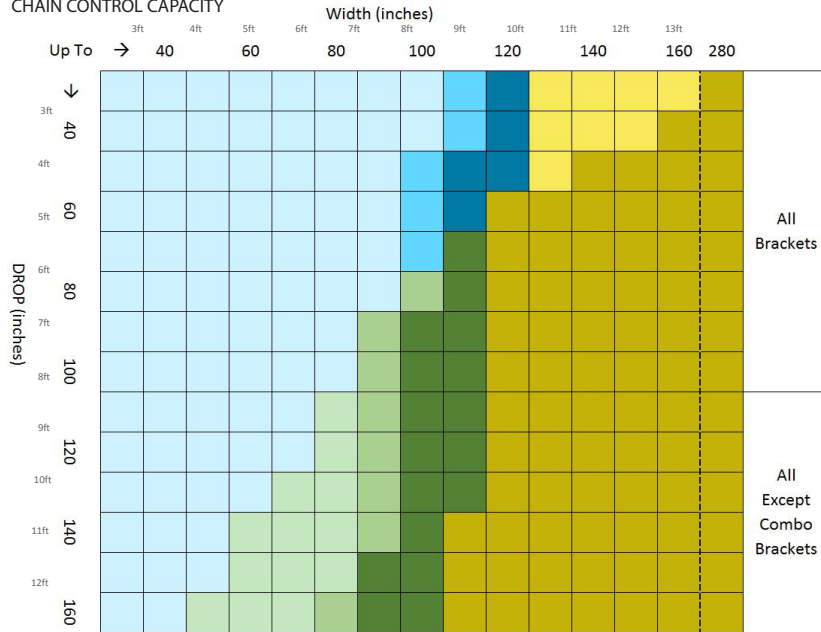


EASY-LIFT SPRING ASSIST BOOSTER



SPECIFICATIONS: RB09 CHAINWINDER

CHAIN CONTROL CAPACITY



RB09 | Minimum Shade Width: 6 inches
 RB09 RETROFIT | Minimum Shade Width: 39 inches

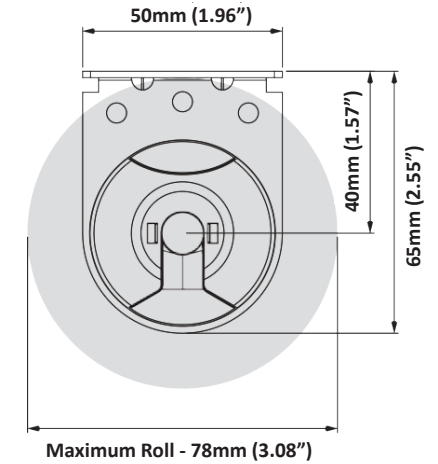
Parameters
 Fabric Density: 420gsm-12.4 oz/yd²
 Fabric Thickness: 0.6mm-0.024 inches
 Weight Bar: External Hem Bar (approx. .20 lbs/ft)

*Refer to S45 EASY-LINK QRG for further details

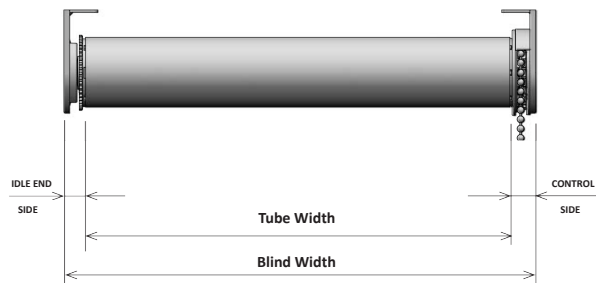
Maximum Hold Weights:
 S45 Light Tube: 10 pounds (RB09) , 30 pounds (RB09 + Booster)
 S45 STD Tube: 10 pounds (RB09) , 28 pounds (RB09 + Booster)
 S45 HD Tube: 9.2 pounds (RB09) , 26 pounds (RB09 + Booster)

CONTROL	TUBE
RB09 / RB09 + RETROFIT	S45 HD / STD / LT
	S45 HD / STD
RB09 + RETROFIT	S45HD
	S45 HD / STD / LT
	S45 HD / STD
RB09 / RB09 + RETROFIT EASY-LINK REQ.	S45 HD / STD / LT
	S45 HD / STD / LT

MAX ROLL

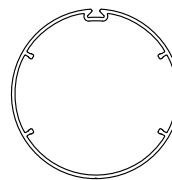


DEDUCTIONS

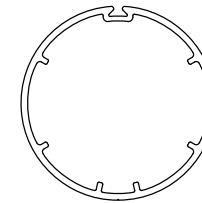


	IDLE END SIDE	CONTROL SIDE	OVERALL DEDUCTION
LX BRACKETS - with covers	14mm [0.55"]	15mm [0.59"]	29mm [1.14"]
LX BRACKETS - without covers	13mm [0.51"]	13mm [0.51"]	26mm [1.02"]

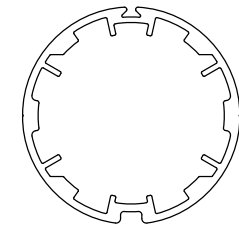
ALUMINUM TUBES



S45 LIGHT
 T-Spline Tube
 CODE: RB93-0443-000580
 RB93-6443-000580 (with D/S tape)
 O.D: 43mm (1.69")
 Length: 5.8metres (19.03')



S45 STANDARD
 T-Spline Tube
 CODE: RB93-0444-000580
 RB93-6444-000580 (with D/S tape)
 O.D: 44mm (1.73")
 Length: 5.8metres (19.03')



S45 HEAVY DUTY
 T-Spline Tube
 CODE: RB93-0449-000580
 RB93-6449-000580 (with D/S tape)
 O.D: 49mm (1.93")
 Length: 5.8metres (19.03')