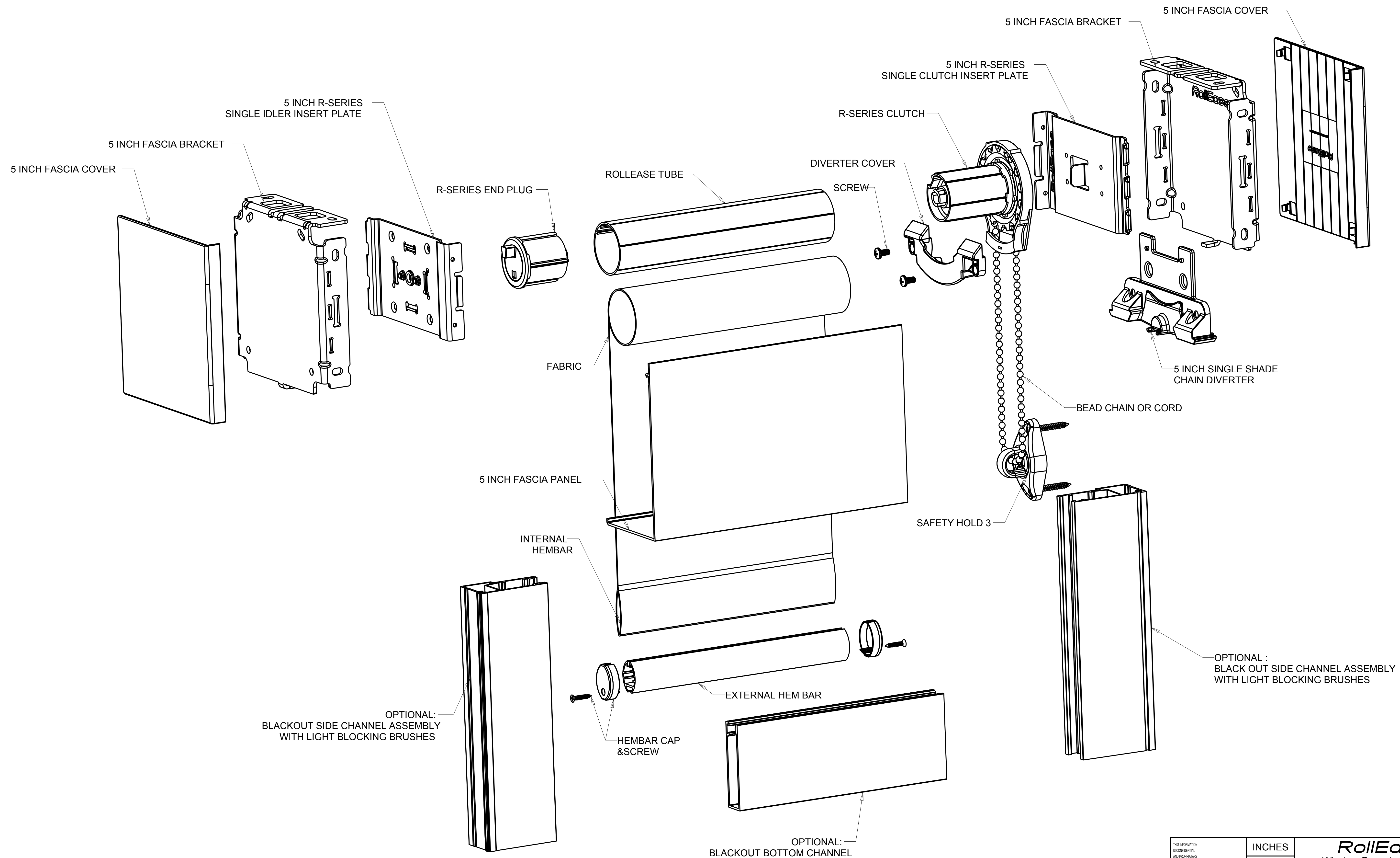


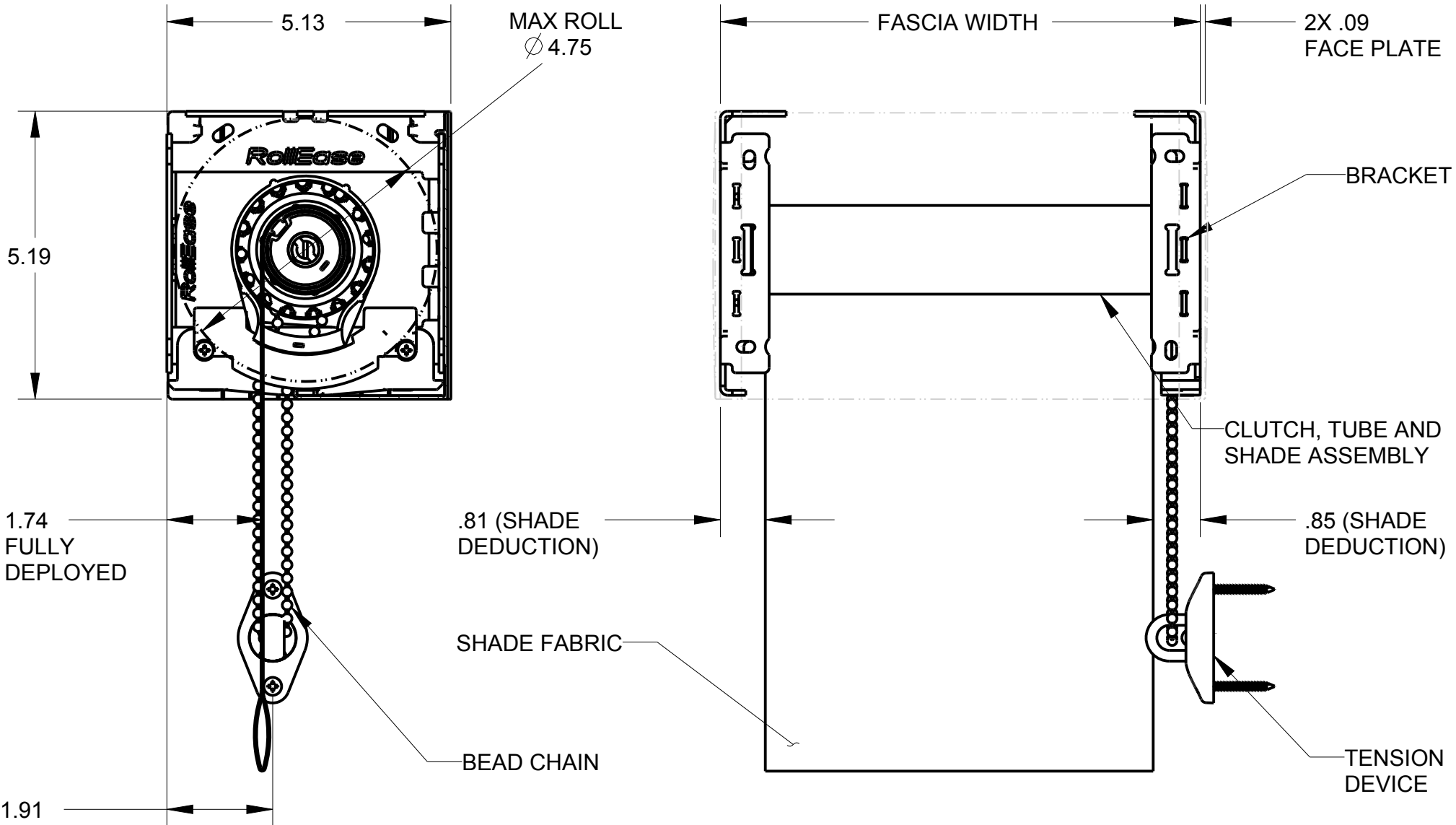
REVISION RECORD				
SYM	DESCRIPTION	BY	DATE	CHK



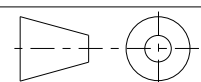
<small>THIS INFORMATION IS CONFIDENTIAL AND PROPRIETARY TO ROLLEASE, INC. THE POSSESSOR AGREES TO MAINTAIN THIS INFORMATION AS CONFIDENTIAL, NOT REPRODUCE OR DISSEMINATE IN WHOLE OR IN PART TO ANY THIRD PARTY.</small>	INCHES	RollEase Window Covering Systems		
	TOLERANCES	X.XX ± 0.015 X.XXX ± 0.005 ANG ± 1°	DESIGNED BY JSG	TITLE ASSY SINGLE R-SERIES 5 INCH FASCIA
	DATE	08MAR13	SCALE D	PART NUMBER 002P054
				SOLD TO 1.7

R-SERIES 5in. FASCIA, R16C53 CLUTCH, 1.50 DIA TUBE
RE002201/0202 BRACKET

A2057



RollEase Headquarters
200 Harvard Avenue
Stamford, CT 06902-6320 USA
Office: 203.964.1573/ 800.552.5100
www.rollease.com



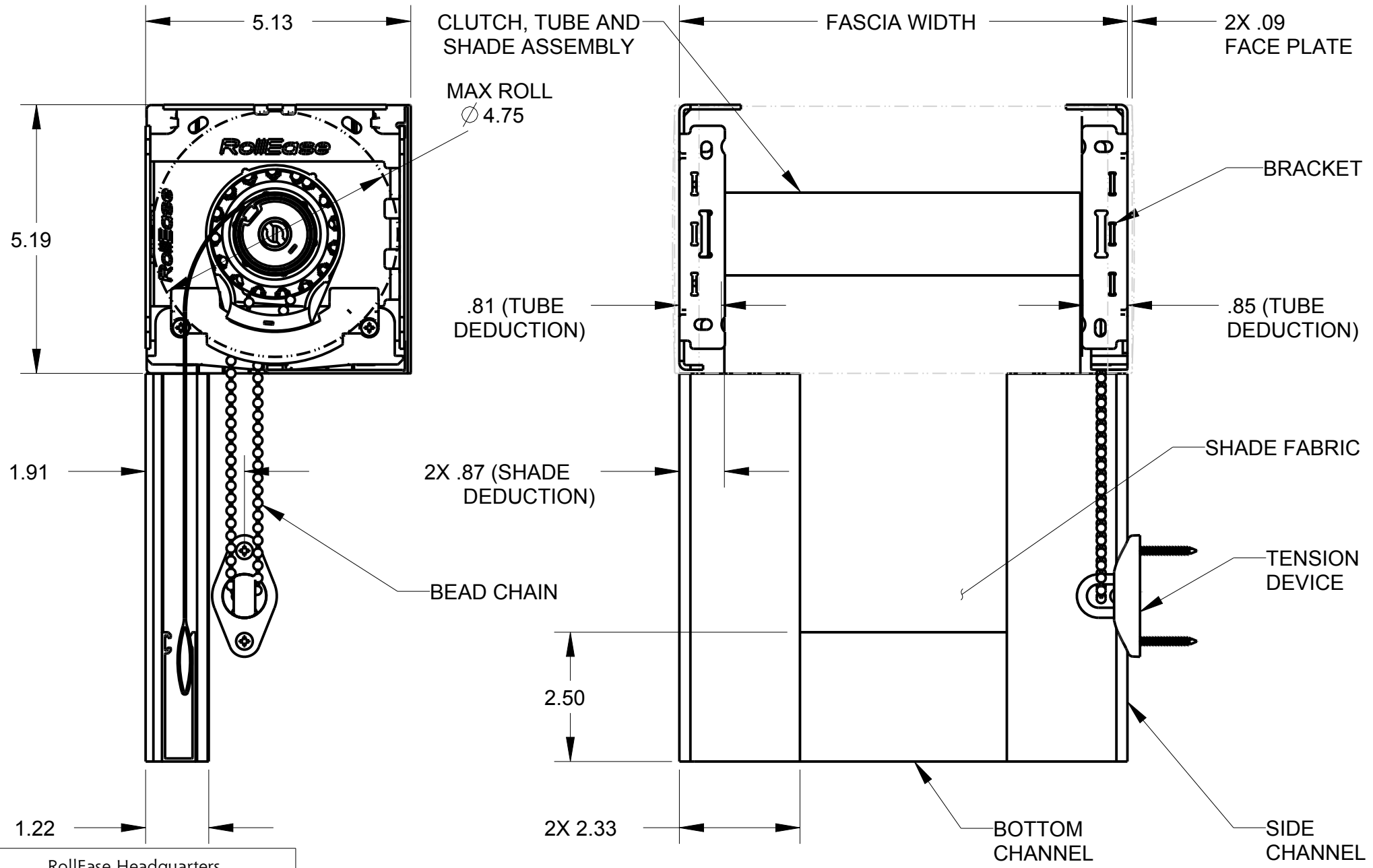
SCALE
NOT TO SCALE. DIMENSIONS IN INCHES.

DRAWN BY
EnZ

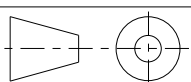
REVISION
1

R-SERIES 5in. FASCIA, R16C53 CLUTCH, 1.50 DIA TUBE
 RE002201/0202 BRACKET WITH SIDE CHANNELS

A2068



RollEase Headquarters
 200 Harvard Avenue
 Stamford, CT 06902-6320 USA
 Office: 203.964.1573/ 800.552.5100
 www.rollease.com



SCALE

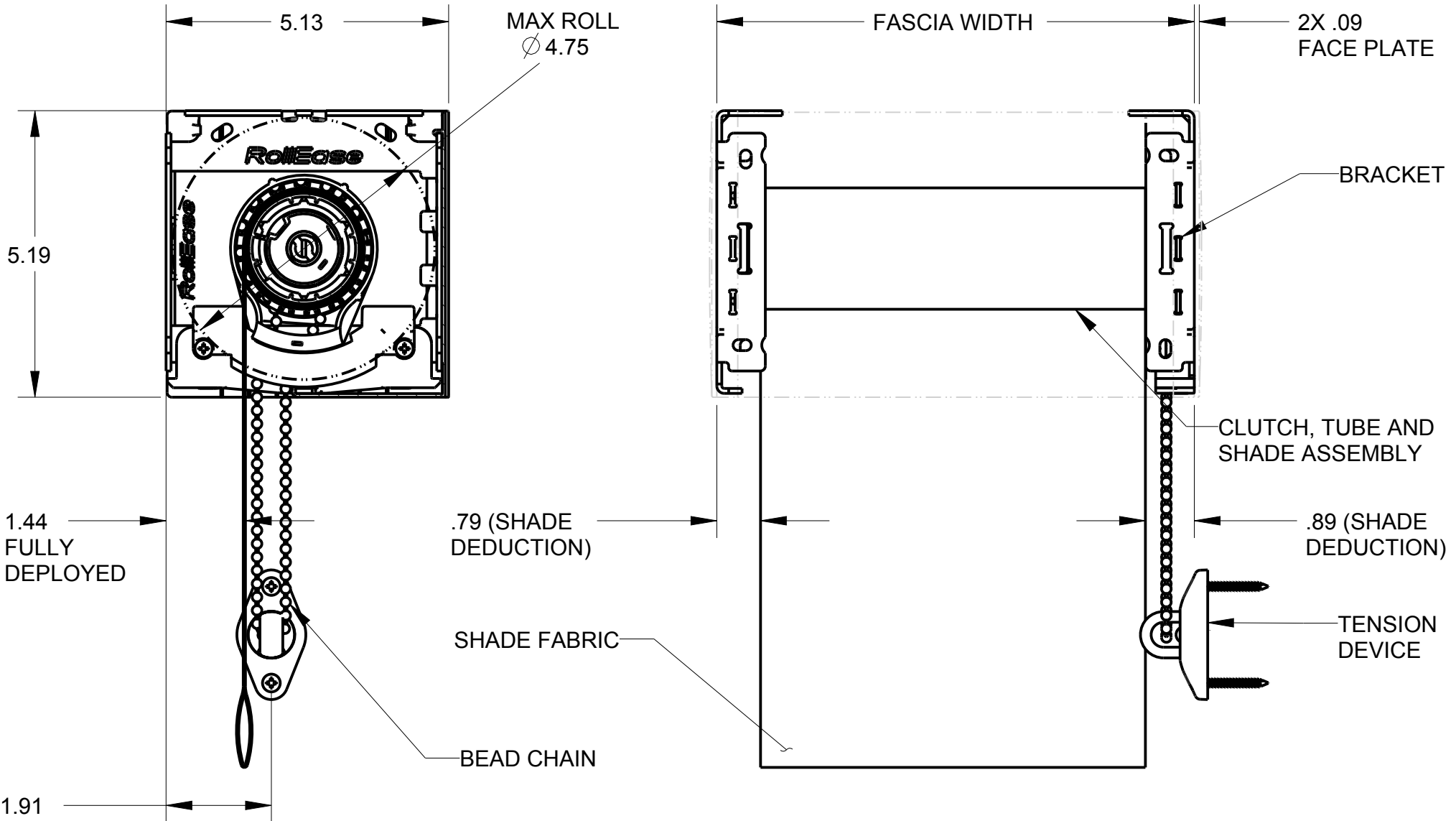
NOT TO SCALE. DIMENSIONS IN INCHES.

DRAWN BY

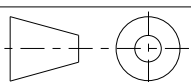
REVISION

R-SERIES 5in. FASCIA, R16C53 CLUTCH, 2.00 DIA TUBE
 RA2 ADAPTER, RE002201/0202 BRACKET

A2058



RollEase Headquarters
 200 Harvard Avenue
 Stamford, CT 06902-6320 USA
 Office: 203.964.1573/ 800.552.5100
 www.rollease.com



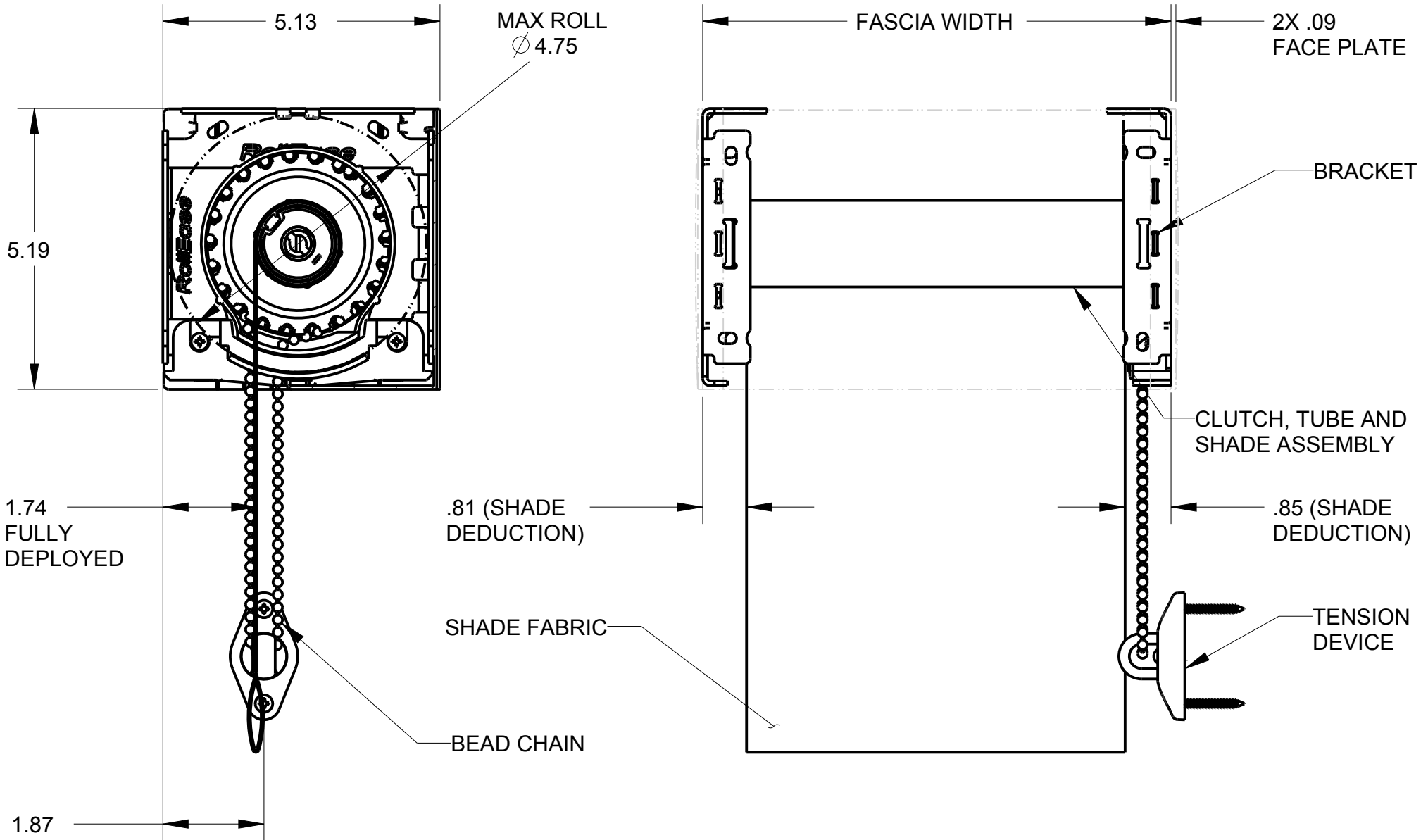
SCALE
 NOT TO SCALE. DIMENSIONS IN INCHES.

DRAWN BY
 EnZ

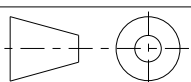
REVISION
 1

R-SERIES 5in. FASCIA, R24C53 CLUTCH, 1.50 DIA TUBE
RE002201/0202 BRACKET

A2059



RollEase Headquarters
200 Harvard Avenue
Stamford, CT 06902-6320 USA
Office: 203.964.1573/ 800.552.5100
www.rollease.com



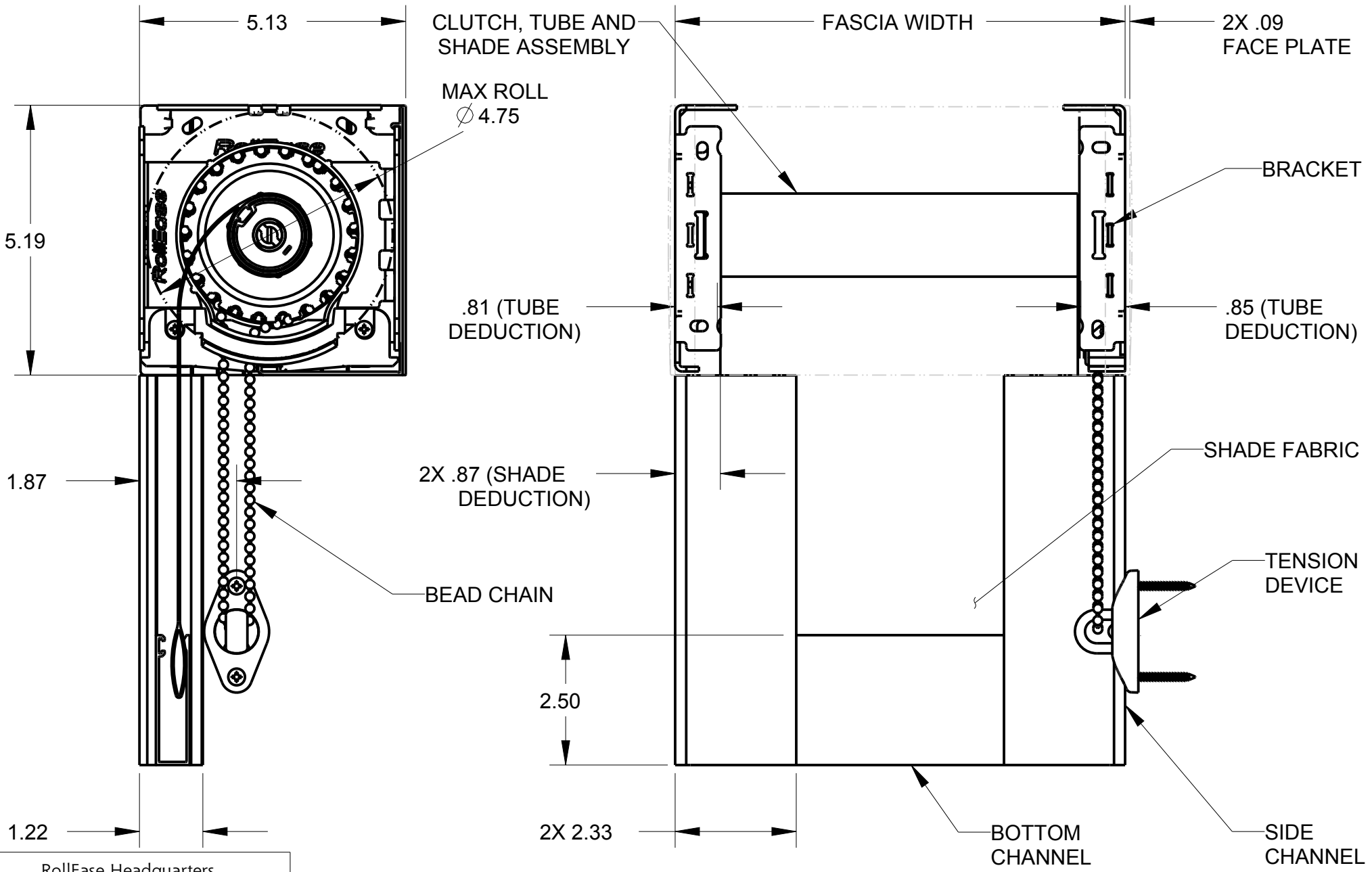
SCALE
NOT TO SCALE. DIMENSIONS IN INCHES.

DRAWN BY
EnZ

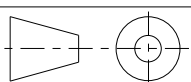
REVISION
1

R-SERIES 5in. FASCIA, R24C53 CLUTCH, 1.50 DIA TUBE
 RE002201/0202 BRACKET WITH SIDE CHANNELS

A2070



RollEase Headquarters
 200 Harvard Avenue
 Stamford, CT 06902-6320 USA
 Office: 203.964.1573/ 800.552.5100
 www.rollease.com



SCALE

NOT TO SCALE. DIMENSIONS IN INCHES.

DRAWN BY

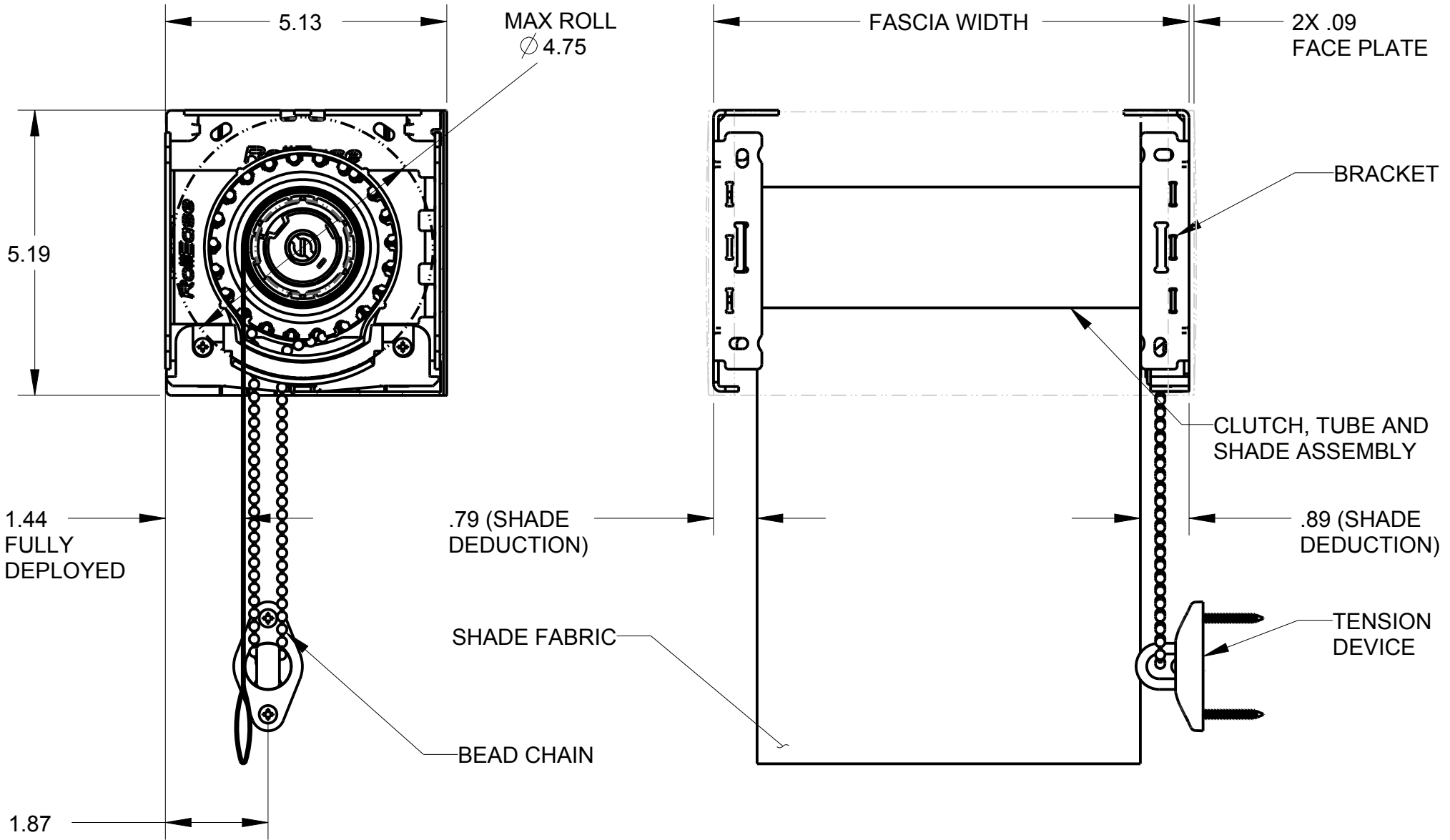
EnZ

REVISION

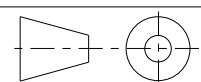
1

R-SERIES 5in. FASCIA, R24C53 CLUTCH, 2.00 DIA TUBE
 RA2 ADAPTER, RE002201/0202 BRACKET

A2060



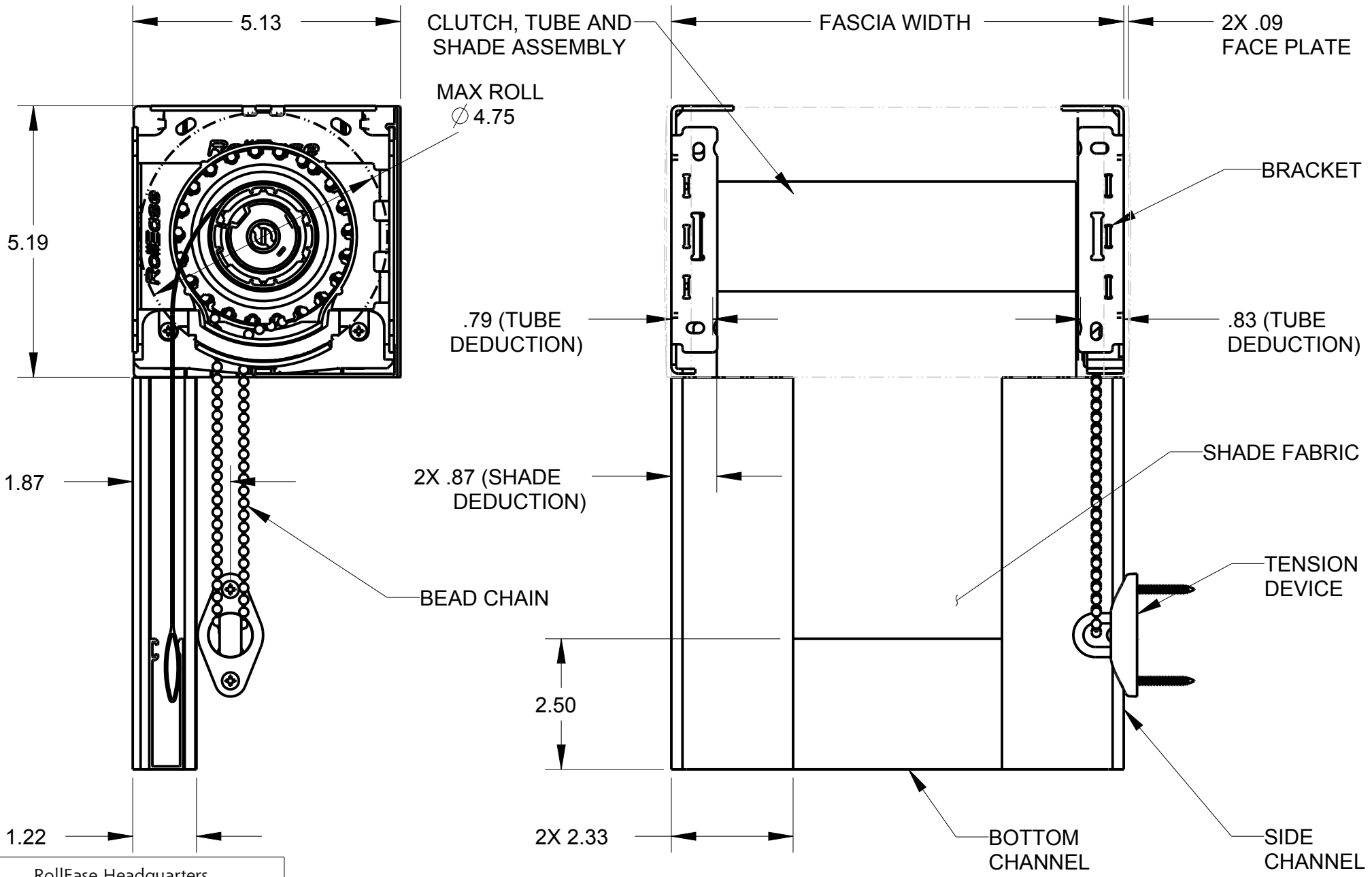
RollEase Headquarters
 200 Harvard Avenue
 Stamford, CT 06902-6320 USA
 Office: 203.964.1573/ 800.552.5100
 www.rollease.com



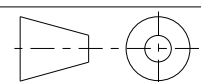
SCALE
 NOT TO SCALE. DIMENSIONS IN INCHES.

DRAWN BY
 EnZ

REVISION
 1



RollEase Headquarters
 200 Harvard Avenue
 Stamford, CT 06902-6320 USA
 Office: 203.964.1573/ 800.552.5100
 www.rollease.com



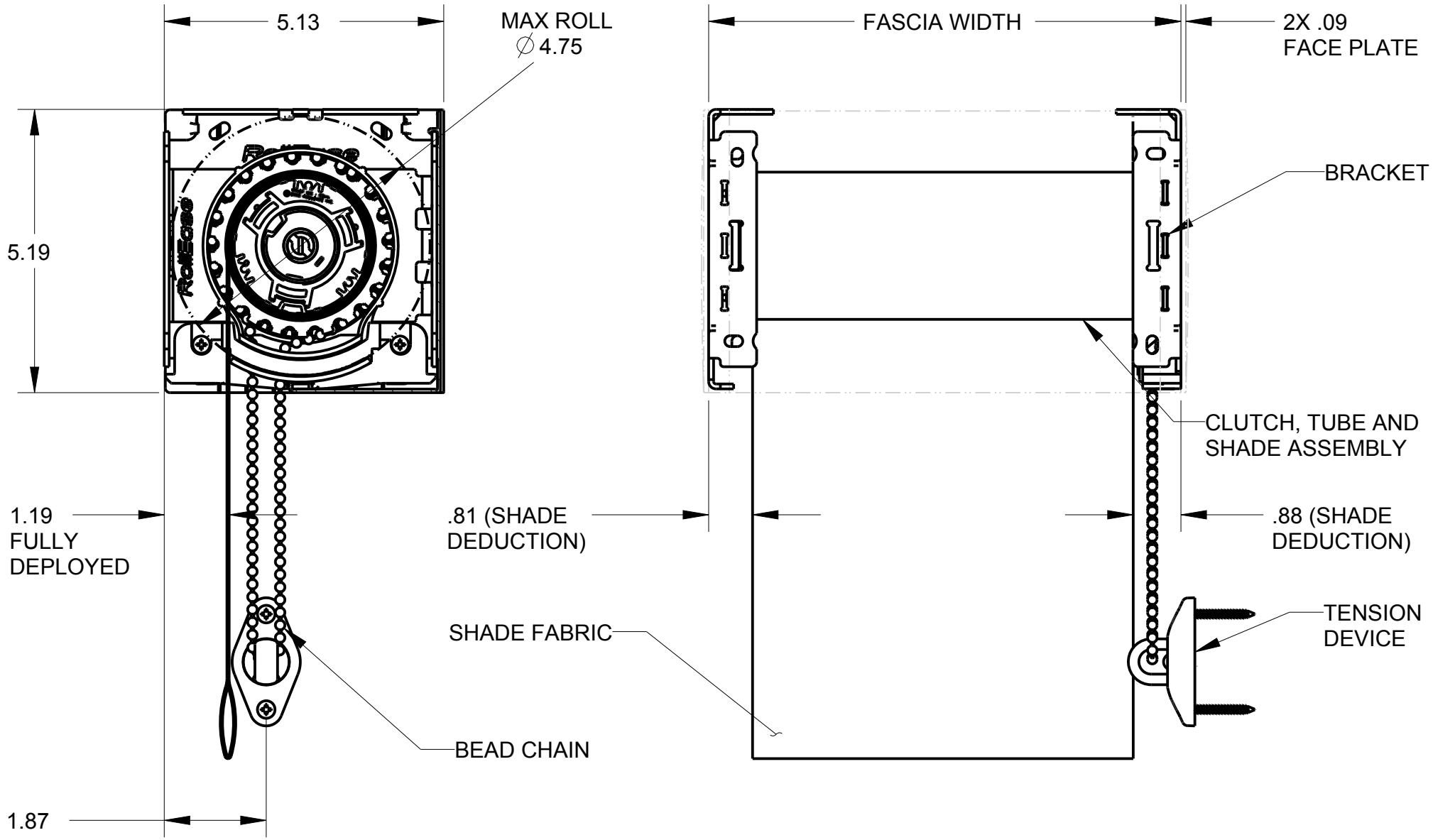
SCALE
NOT TO SCALE. DIMENSIONS IN INCHES.

DRAWN BY
EnZ

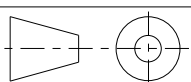
REVISION
1

R-SERIES 5in. FASCIA, R24C53 CLUTCH, 2.50 DIA TUBE
 RA25 ADAPTER, RE002201/0202 BRACKET

A2061



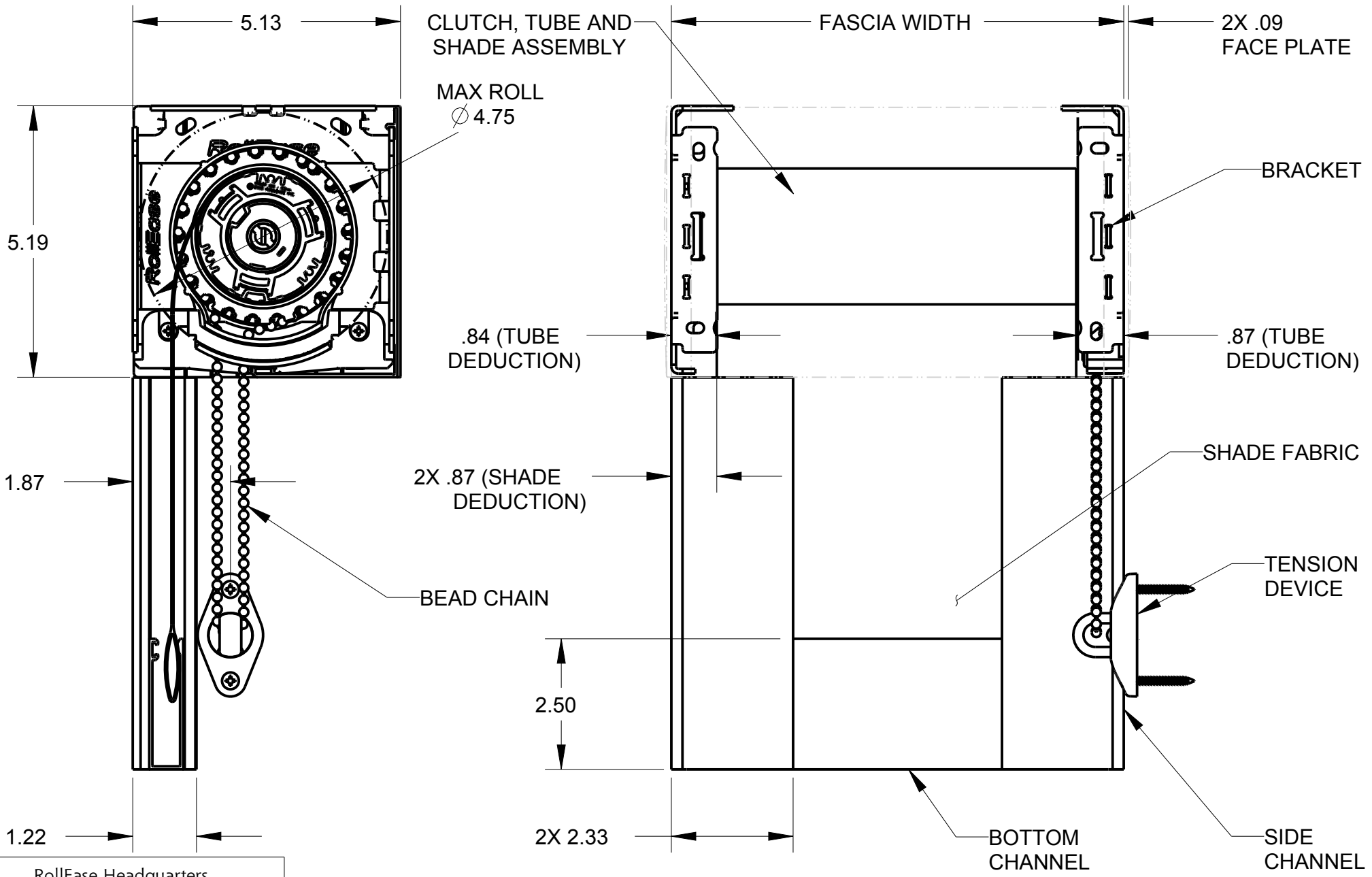
RollEase Headquarters
 200 Harvard Avenue
 Stamford, CT 06902-6320 USA
 Office: 203.964.1573/ 800.552.5100
 www.rollease.com



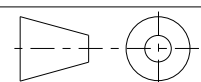
SCALE
 NOT TO SCALE. DIMENSIONS IN INCHES.

DRAWN BY
 EnZ

REVISION
 1



RollEase Headquarters
 200 Harvard Avenue
 Stamford, CT 06902-6320 USA
 Office: 203.964.1573/ 800.552.5100
 www.rollease.com



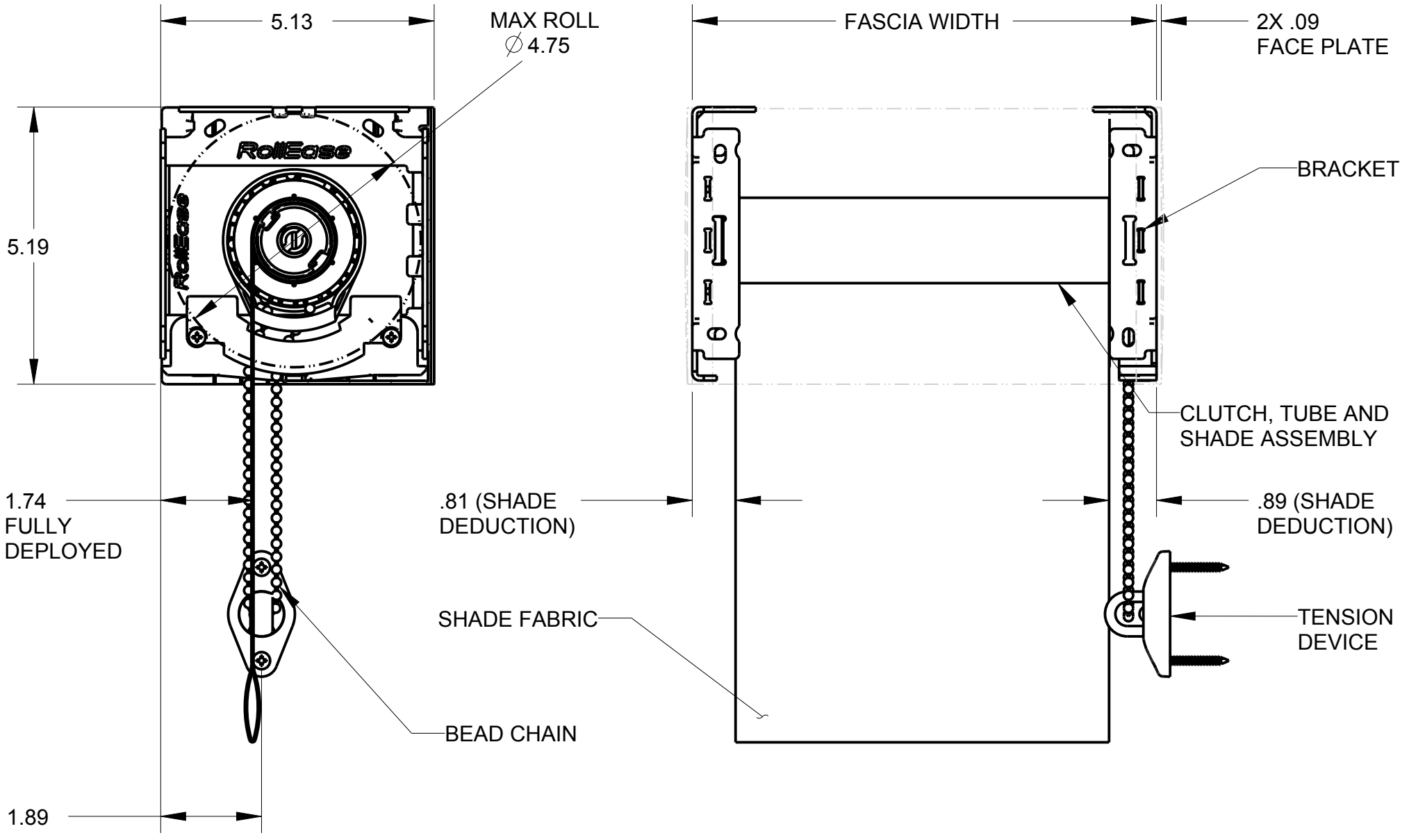
SCALE
NOT TO SCALE. DIMENSIONS IN INCHES.

DRAWN BY
EnZ

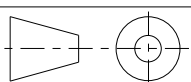
REVISION
1

R-SERIES 5in. FASCIA, RGAL CLUTCH, 1.50 DIA TUBE
RE002201/0202 BRACKET

A2062



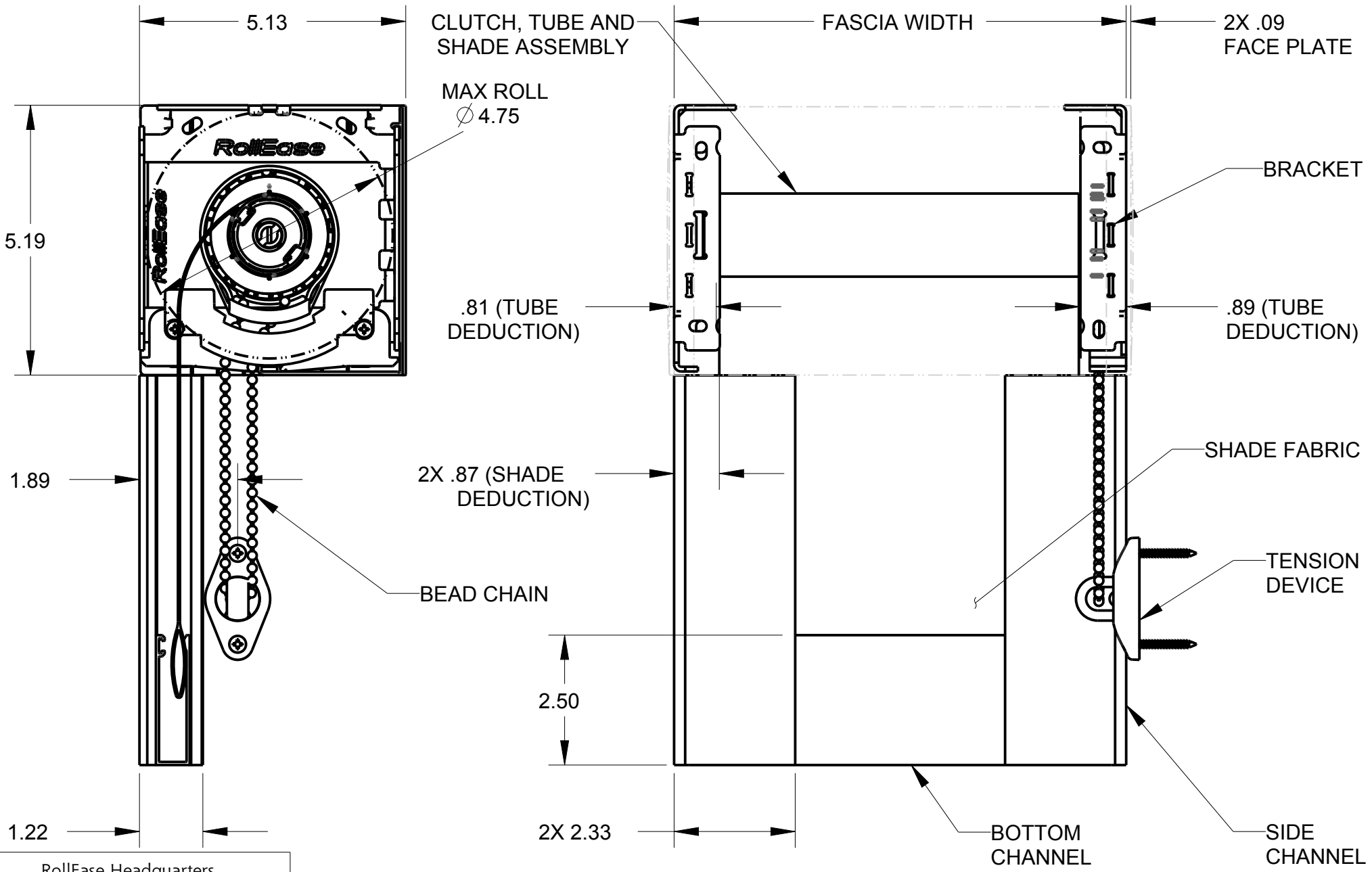
RollEase Headquarters
200 Harvard Avenue
Stamford, CT 06902-6320 USA
Office: 203.964.1573/ 800.552.5100
www.rollease.com



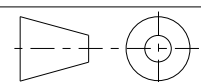
SCALE
NOT TO SCALE. DIMENSIONS IN INCHES.

DRAWN BY
EnZ

REVISION
1



RollEase Headquarters
200 Harvard Avenue
Stamford, CT 06902-6320 USA
Office: 203.964.1573/ 800.552.5100
www.rollease.com



SCALE

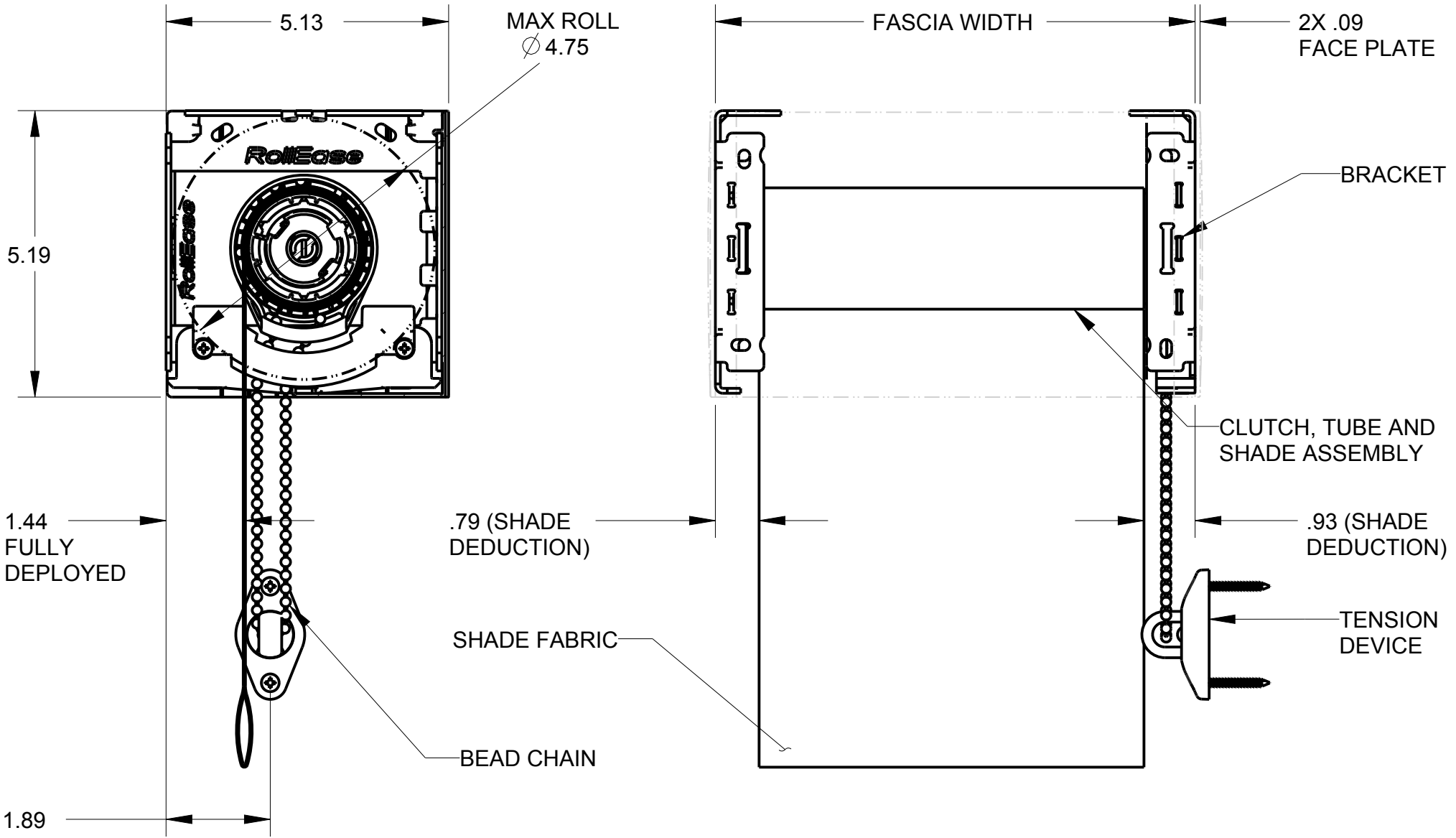
NOT TO SCALE. DIMENSIONS IN INCHES.

DRAWN BY

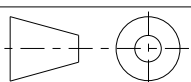
EnZ

REVISION

1



RollEase Headquarters
200 Harvard Avenue
Stamford, CT 06902-6320 USA
Office: 203.964.1573/ 800.552.5100
www.rollease.com



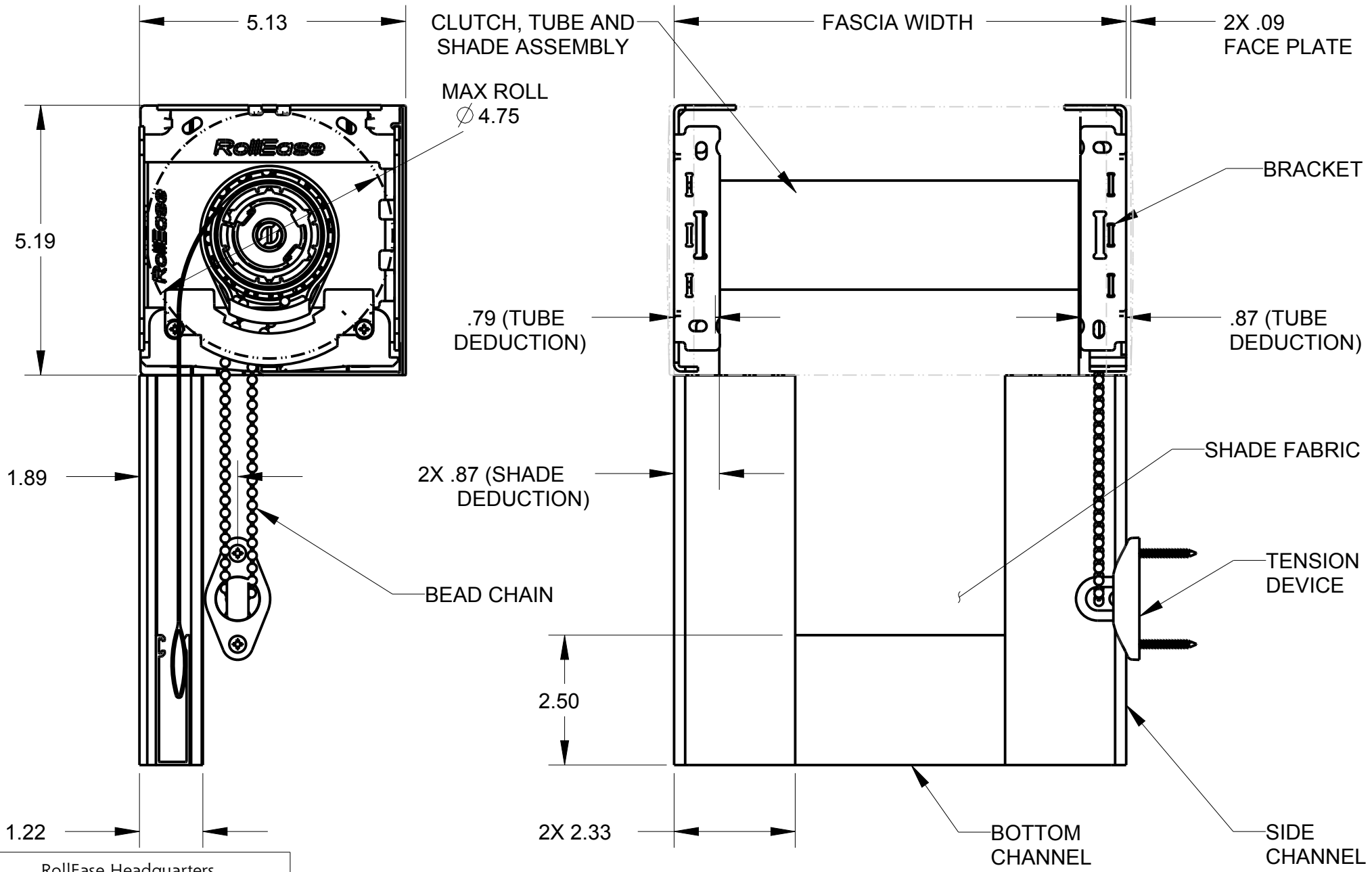
SCALE
NOT TO SCALE. DIMENSIONS IN INCHES.

DRAWN BY
EnZ

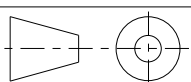
REVISION
1

R-SERIES 5in. FASCIA, RGAL CLUTCH, 2.00 DIA TUBE
 RE002201/0202 BRACKET WITH SIDE CHANNELS

A2074



RollEase Headquarters
 200 Harvard Avenue
 Stamford, CT 06902-6320 USA
 Office: 203.964.1573/ 800.552.5100
 www.rollease.com



SCALE

NOT TO SCALE. DIMENSIONS IN INCHES.

DRAWN BY

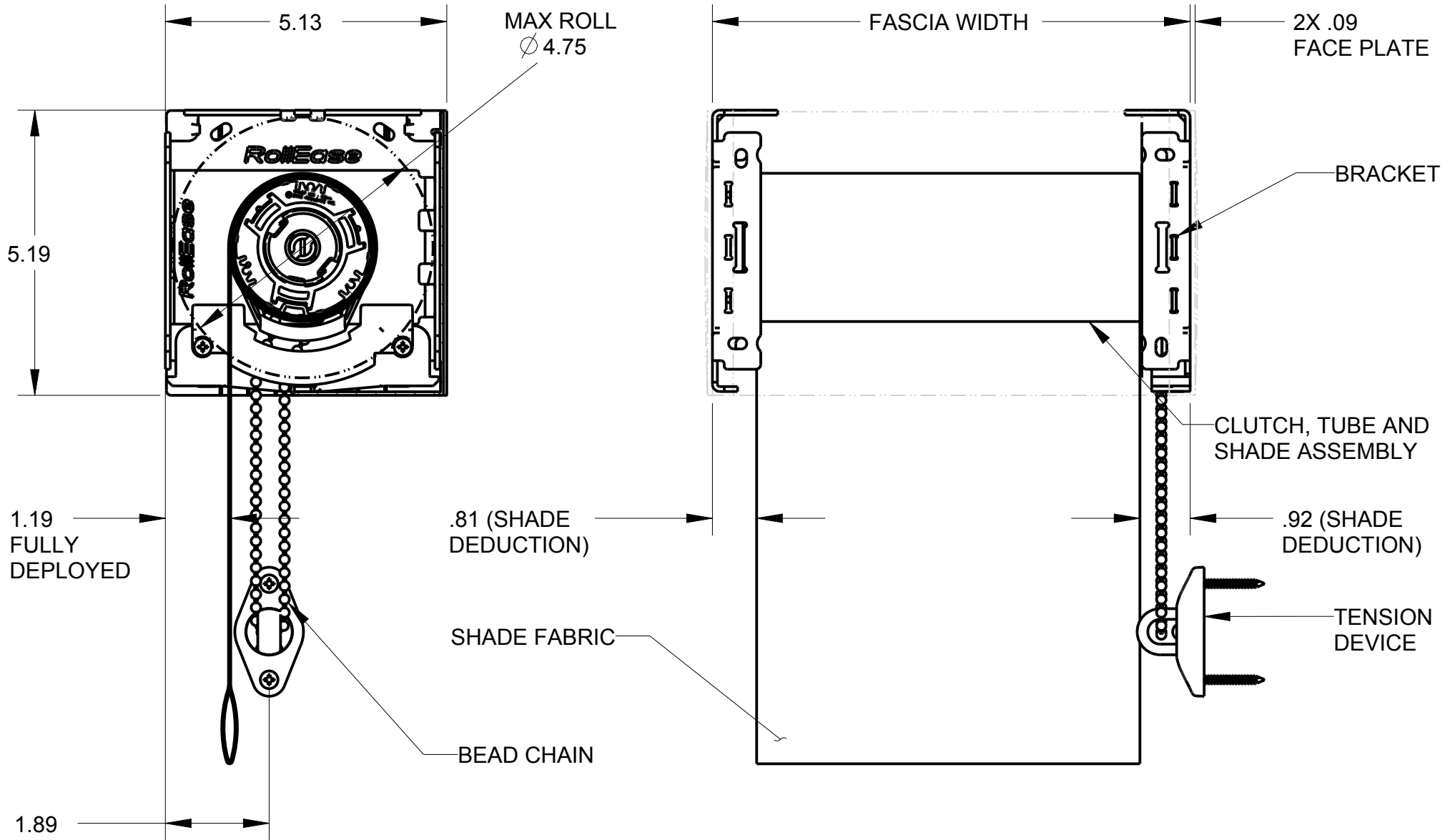
EnZ

REVISION

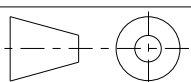
1

R-SERIES 5in. FASCIA, RGAL CLUTCH, 2.50 DIA TUBE
RA25 ADAPTER, RE002201/0202 BRACKET

A2064



RollEase Headquarters
200 Harvard Avenue
Stamford, CT 06902-6320 USA
Office: 203.964.1573/ 800.552.5100
www.rollease.com



SCALE

NOT TO SCALE. DIMENSIONS IN INCHES.

DRAWN BY

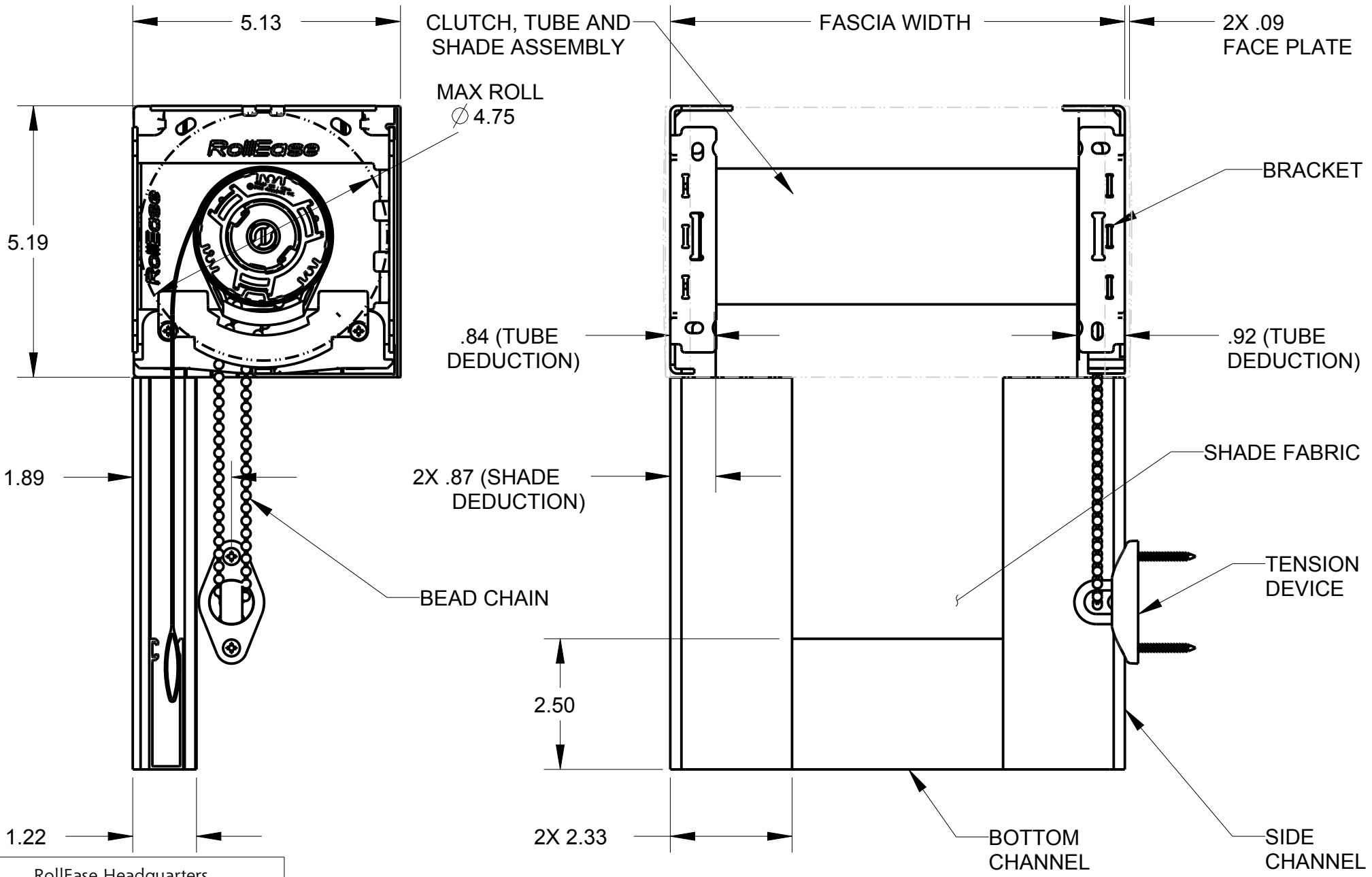
EnZ

REVISION

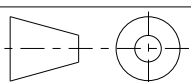
1

R-SERIES 5in. FASCIA, RGAL CLUTCH, 2.50 DIA TUBE
 RA25 ADAPTER, RE002201/0202 BRACKET W/ SIDE CHANNELS

A2075



RollEase Headquarters
 200 Harvard Avenue
 Stamford, CT 06902-6320 USA
 Office: 203.964.1573/ 800.552.5100
 www.rollease.com



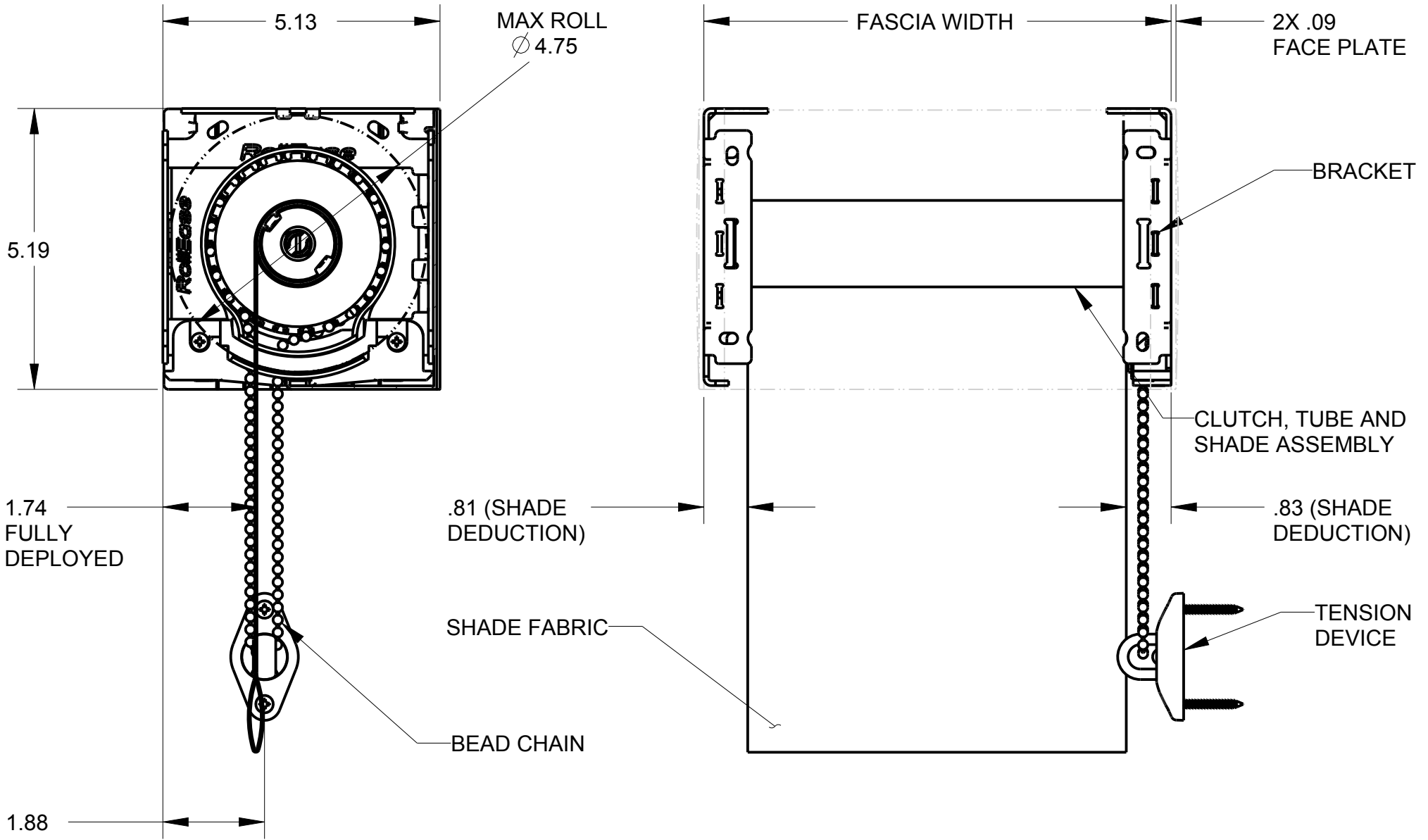
SCALE
 NOT TO SCALE. DIMENSIONS IN INCHES.

DRAWN BY
 EnZ

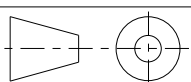
REVISION
 1

R-SERIES 5in. FASCIA, RGAL400 CLUTCH, 1.50 DIA TUBE
RE002201/0202 BRACKET

A2065



RollEase Headquarters
200 Harvard Avenue
Stamford, CT 06902-6320 USA
Office: 203.964.1573/ 800.552.5100
www.rollease.com



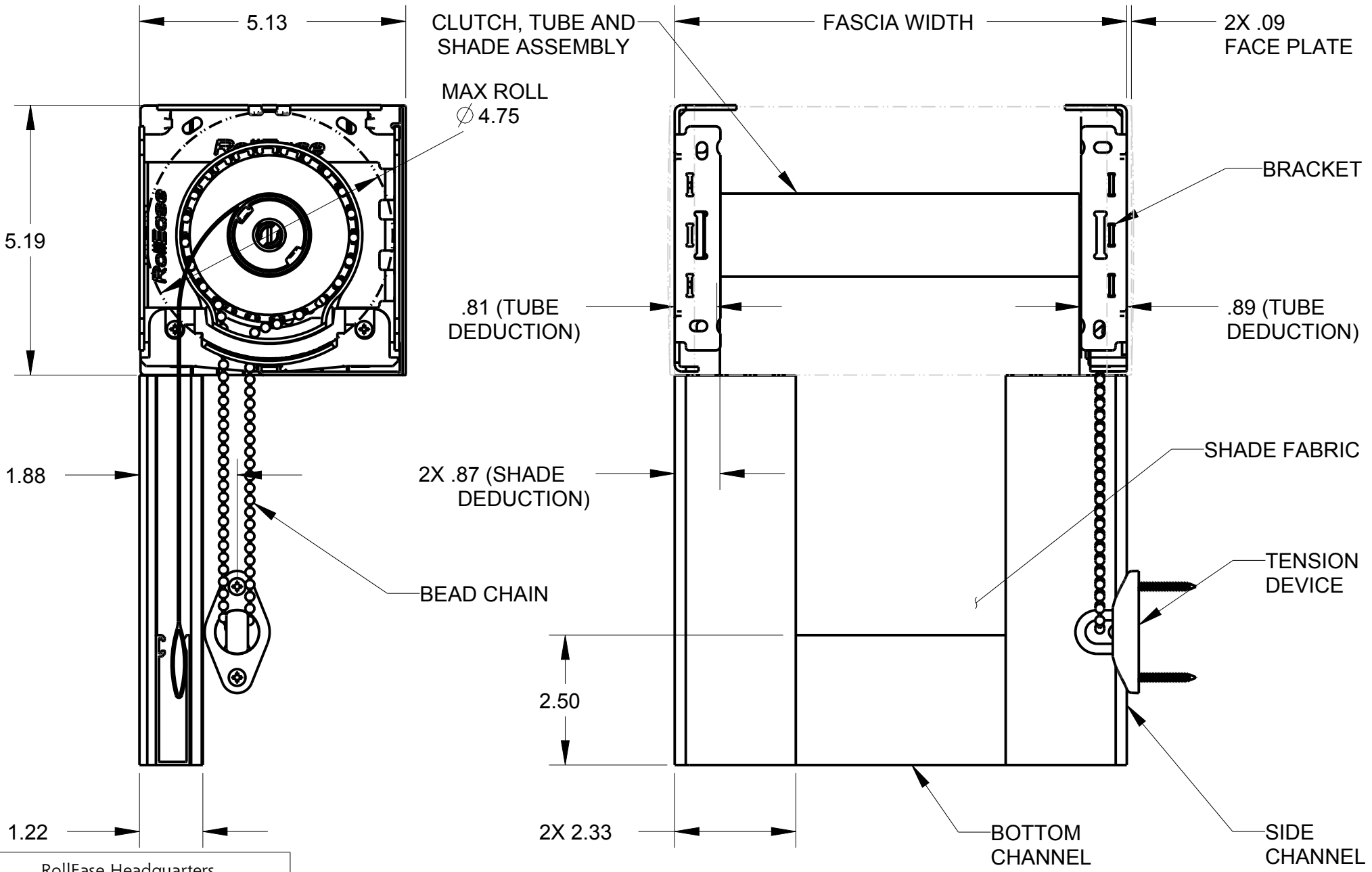
SCALE
NOT TO SCALE. DIMENSIONS IN INCHES.

DRAWN BY
EnZ

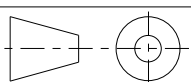
REVISION
1

R-SERIES 5in. FASCIA, RGAL400 CLUTCH, 1.50 DIA TUBE
RE002201/0202 BRACKET WITH SIDE CHANNELS

A2076



RollEase Headquarters
200 Harvard Avenue
Stamford, CT 06902-6320 USA
Office: 203.964.1573/ 800.552.5100
www.rollease.com



SCALE

NOT TO SCALE. DIMENSIONS IN INCHES.

DRAWN BY

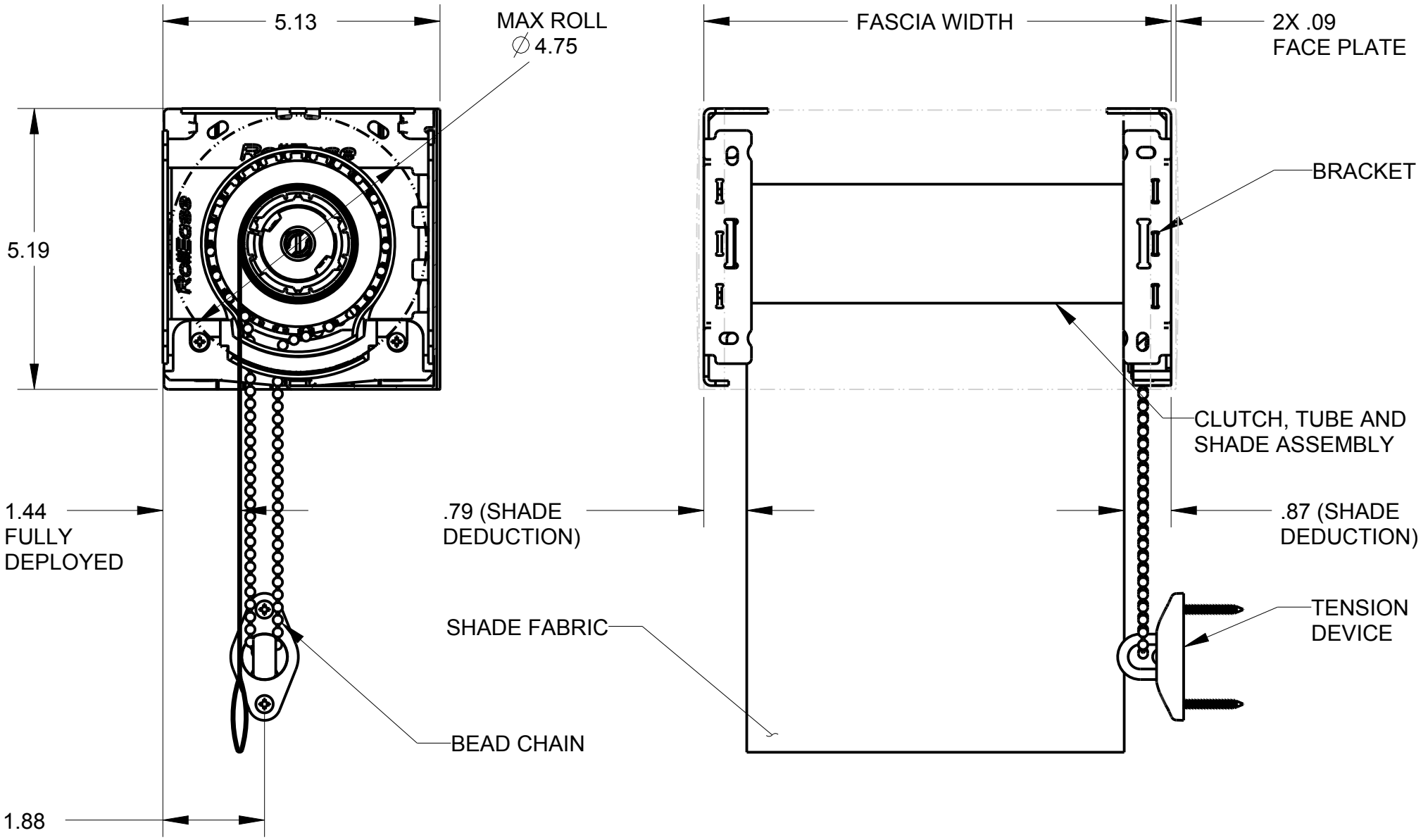
EnZ

REVISION

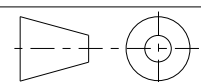
1

R-SERIES 5in. FASCIA, RGAL400 CLUTCH, 2.00 DIA TUBE
 RA2 ADAPTER, RE002201/0202 BRACKET

A2066



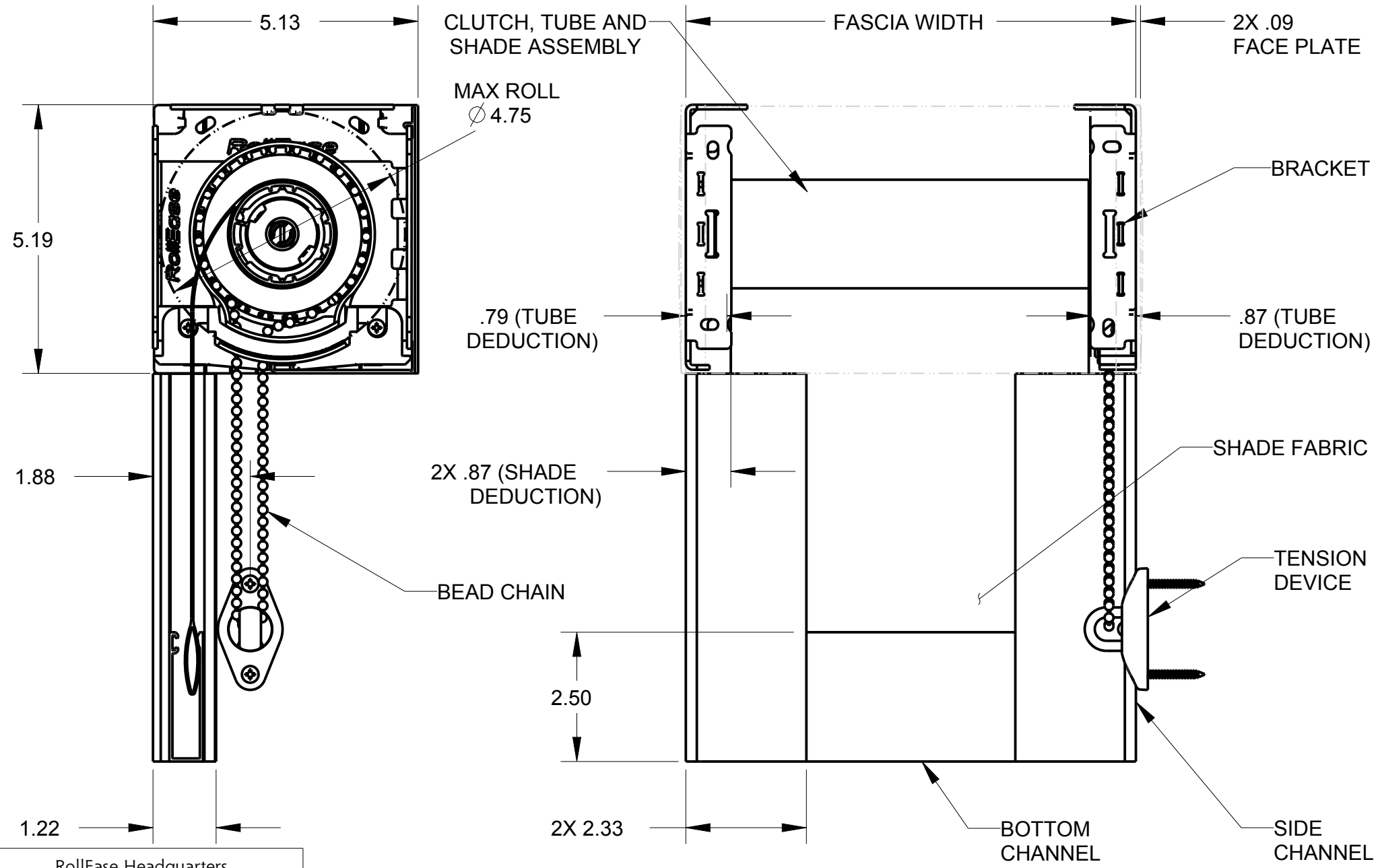
RollEase Headquarters
 200 Harvard Avenue
 Stamford, CT 06902-6320 USA
 Office: 203.964.1573/ 800.552.5100
 www.rollease.com



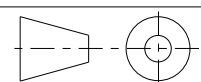
SCALE
 NOT TO SCALE. DIMENSIONS IN INCHES.

DRAWN BY
 EnZ

REVISION
 1



RollEase Headquarters
 200 Harvard Avenue
 Stamford, CT 06902-6320 USA
 Office: 203.964.1573/ 800.552.5100
 www.rollease.com



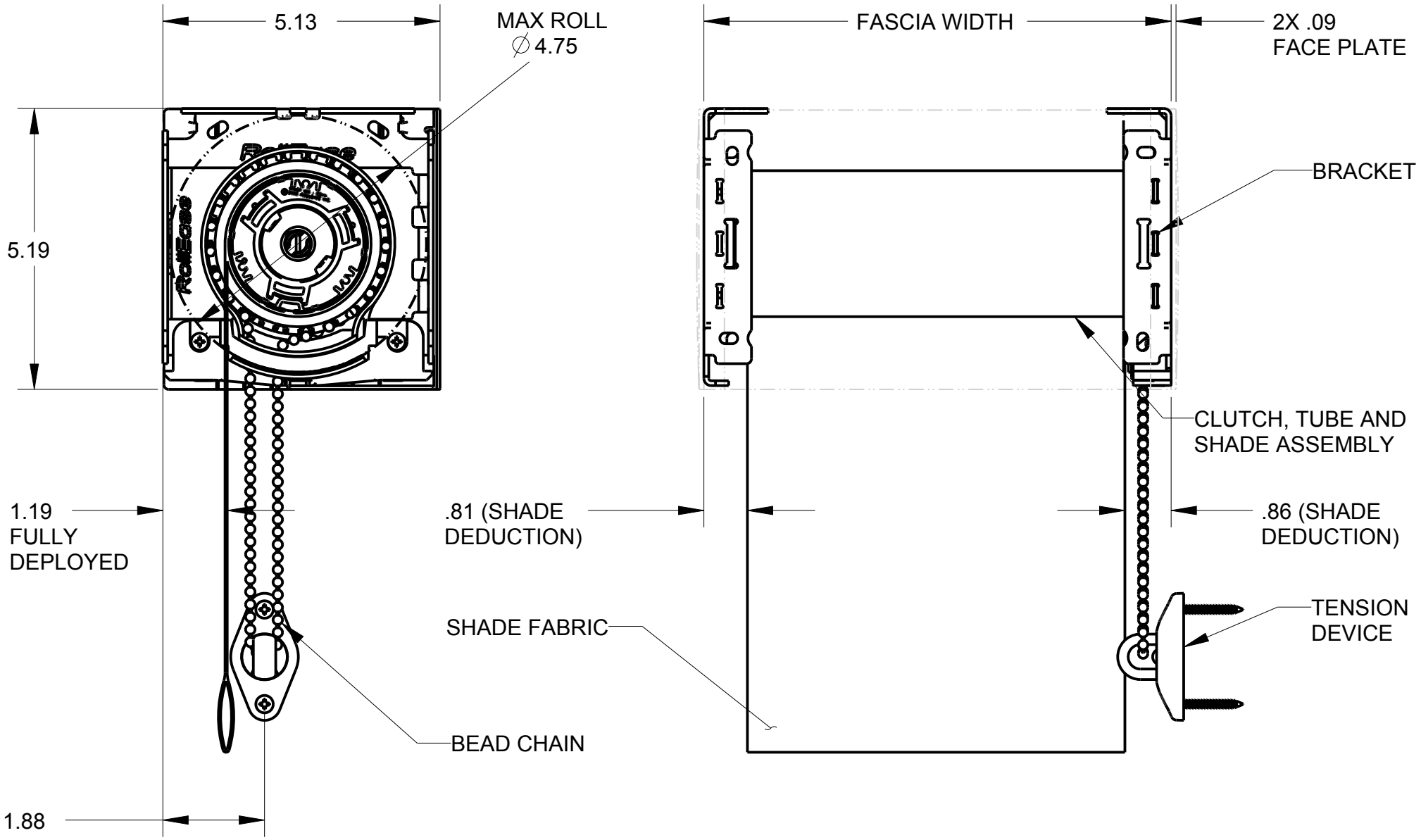
SCALE
NOT TO SCALE. DIMENSIONS IN INCHES.

DRAWN BY
EnZ

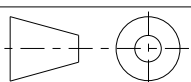
REVISION
1

R-SERIES 5in. FASCIA, RGAL400 CLUTCH, 2.50 DIA TUBE
 RA25 ADAPTER, RE002201/0202 BRACKET

A2067



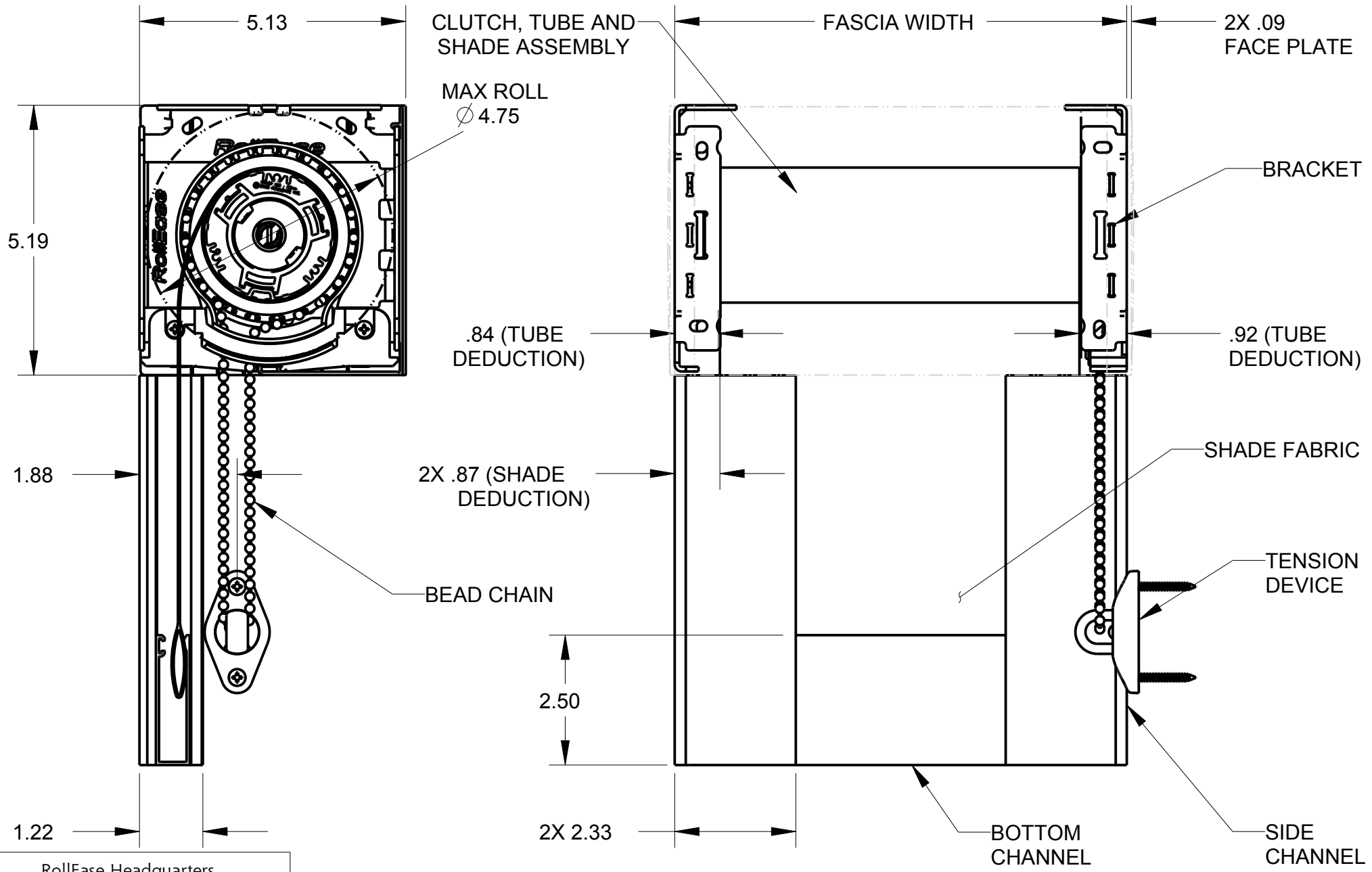
RollEase Headquarters
 200 Harvard Avenue
 Stamford, CT 06902-6320 USA
 Office: 203.964.1573/ 800.552.5100
 www.rollease.com



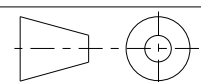
SCALE
 NOT TO SCALE. DIMENSIONS IN INCHES.

DRAWN BY
 EnZ

REVISION
 1



RollEase Headquarters
 200 Harvard Avenue
 Stamford, CT 06902-6320 USA
 Office: 203.964.1573/ 800.552.5100
 www.rollease.com

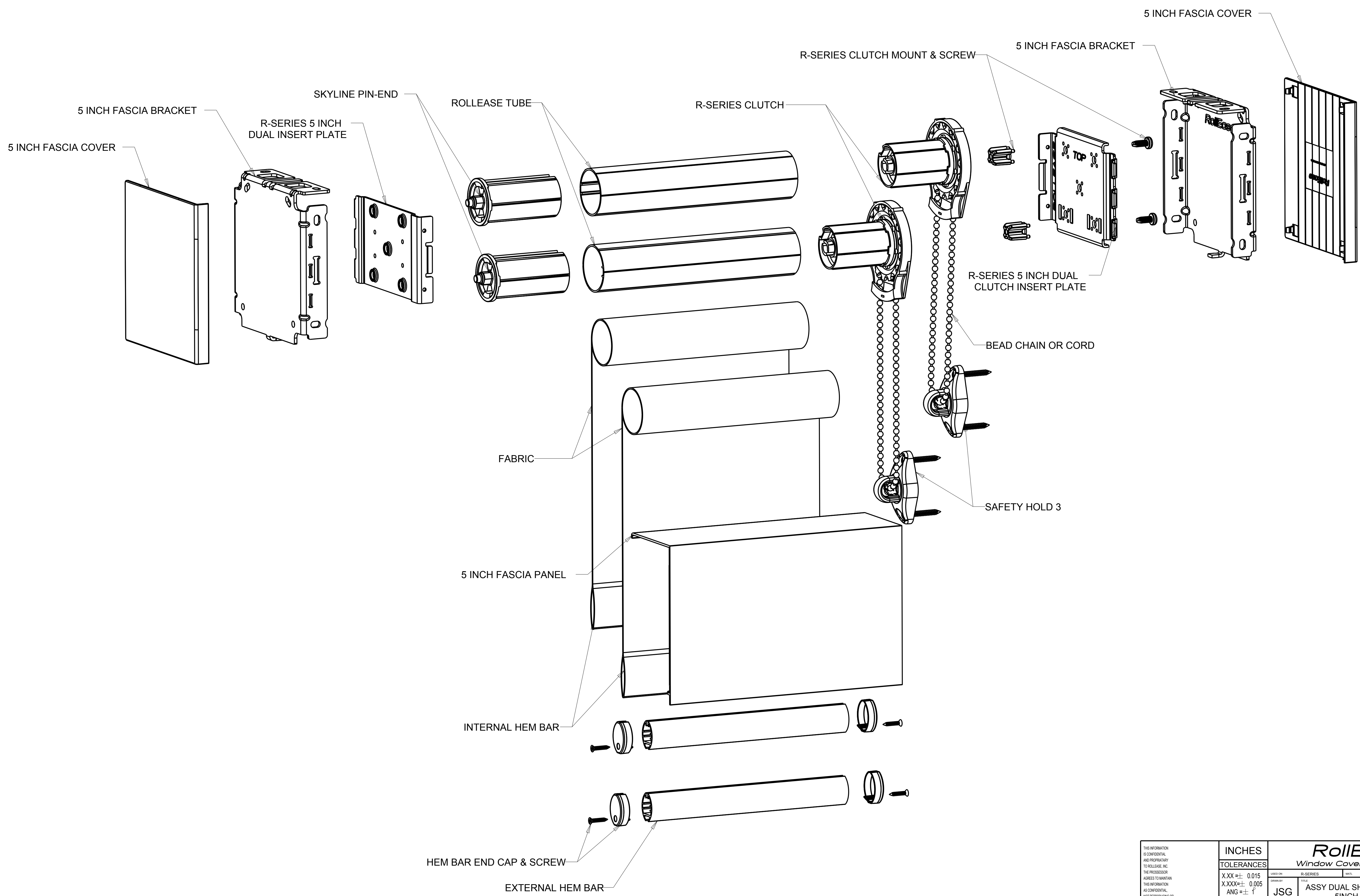


SCALE
NOT TO SCALE. DIMENSIONS IN INCHES.

DRAWN BY
EnZ

REVISION
1

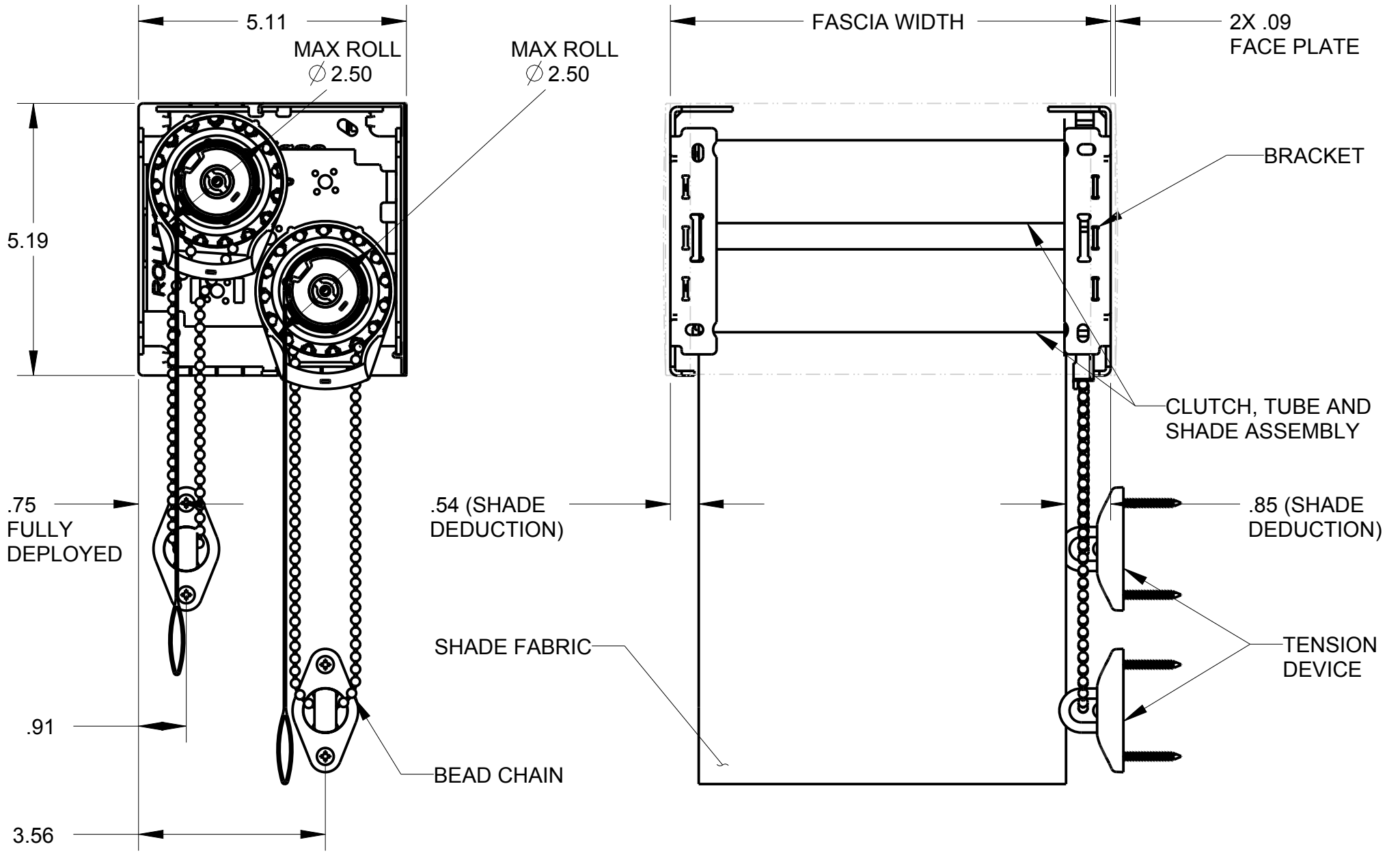
REVISION RECORD				
SYM	DESCRIPTION	BY	DATE	CHK



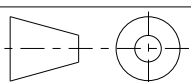
<small>THIS INFORMATION IS CONFIDENTIAL AND PROPRIETARY TO ROLLEASE, INC. THE POSSESSOR AGREES TO MAINTAIN THIS INFORMATION AS CONFIDENTIAL, NOT REPRODUCE OR DISSEMINATE IN WHOLE OR IN PART TO ANY THIRD PARTY.</small>	INCHES	RollEase Window Covering Systems			
	TOLERANCES	<small>X.XX ± 0.015</small> <small>X.XXX ± 0.005</small> <small>ANG ± 1°</small>	<small>DESIGNED BY</small> JSG	<small>TITLE</small> ASSY DUAL SHADE R-SERIES 5 INCH FASCIA	<small>SCALE</small> 1.6
	DATE	<small>DESIGNED BY</small> JSG	<small>DATE</small> 08MAR13	<small>SCALE</small> D	<small>REV</small> 1
				<small>PROJECT NO.</small> 002P055	

R-SERIES 5in. FASCIA, DUAL SHADE R16C53 CLUTCH,
RTEA4 1.50 DIA TUBE, RE002201/0202 BRACKET

A2079



RollEase Headquarters
200 Harvard Avenue
Stamford, CT 06902-6320 USA
Office: 203.964.1573/ 800.552.5100
www.rollease.com



SCALE

NOT TO SCALE. DIMENSIONS IN INCHES.

DRAWN BY

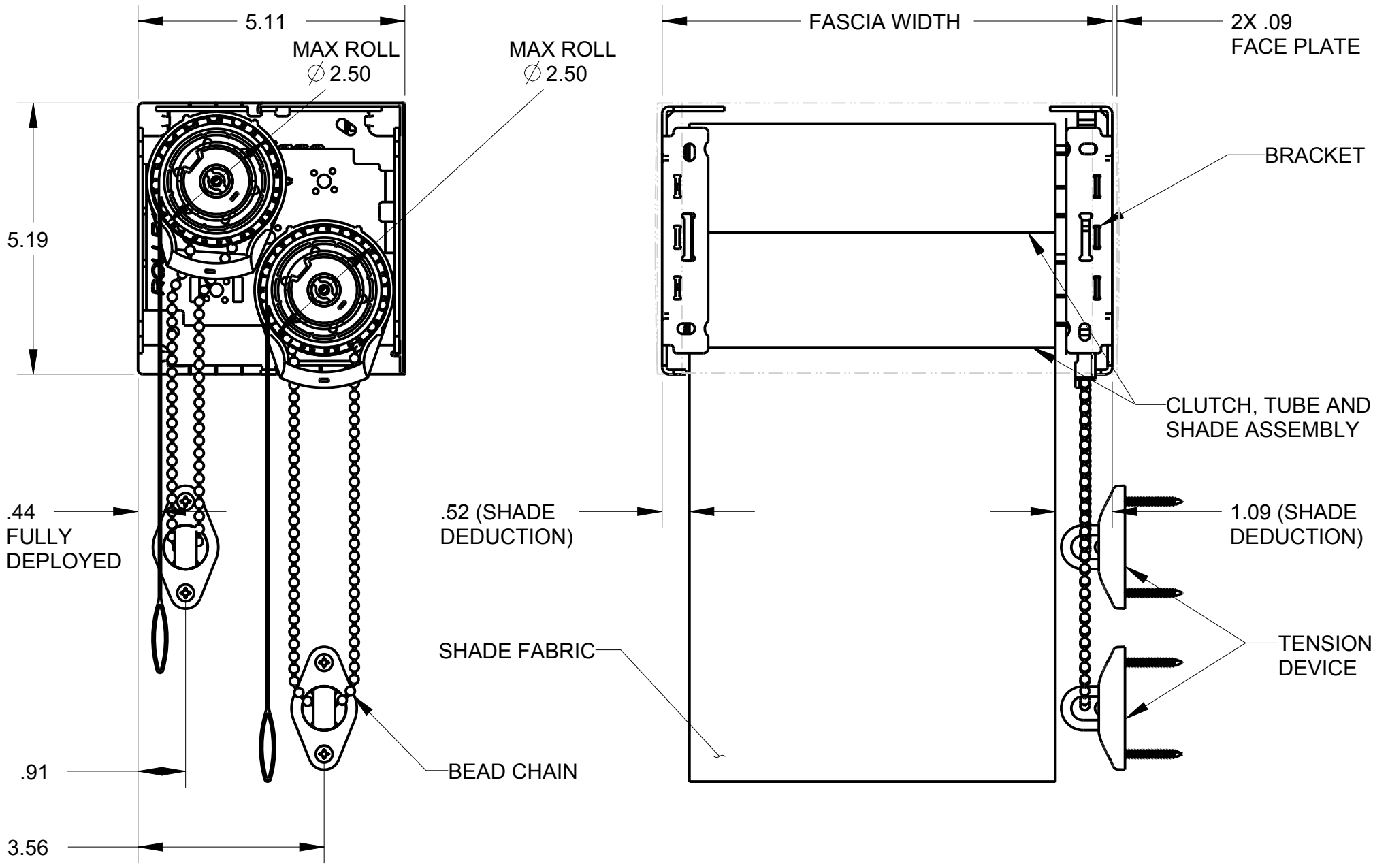
EnZ

REVISION

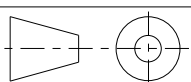
1

R-SERIES 5in. FASCIA, DUAL SHADE R16C53 CLUTCH, RTEA5
2.00 DIA TUBE, RA2 ADAPTER RE002201/0202 BRACKET

A2081



RollEase Headquarters
200 Harvard Avenue
Stamford, CT 06902-6320 USA
Office: 203.964.1573/ 800.552.5100
www.rollease.com



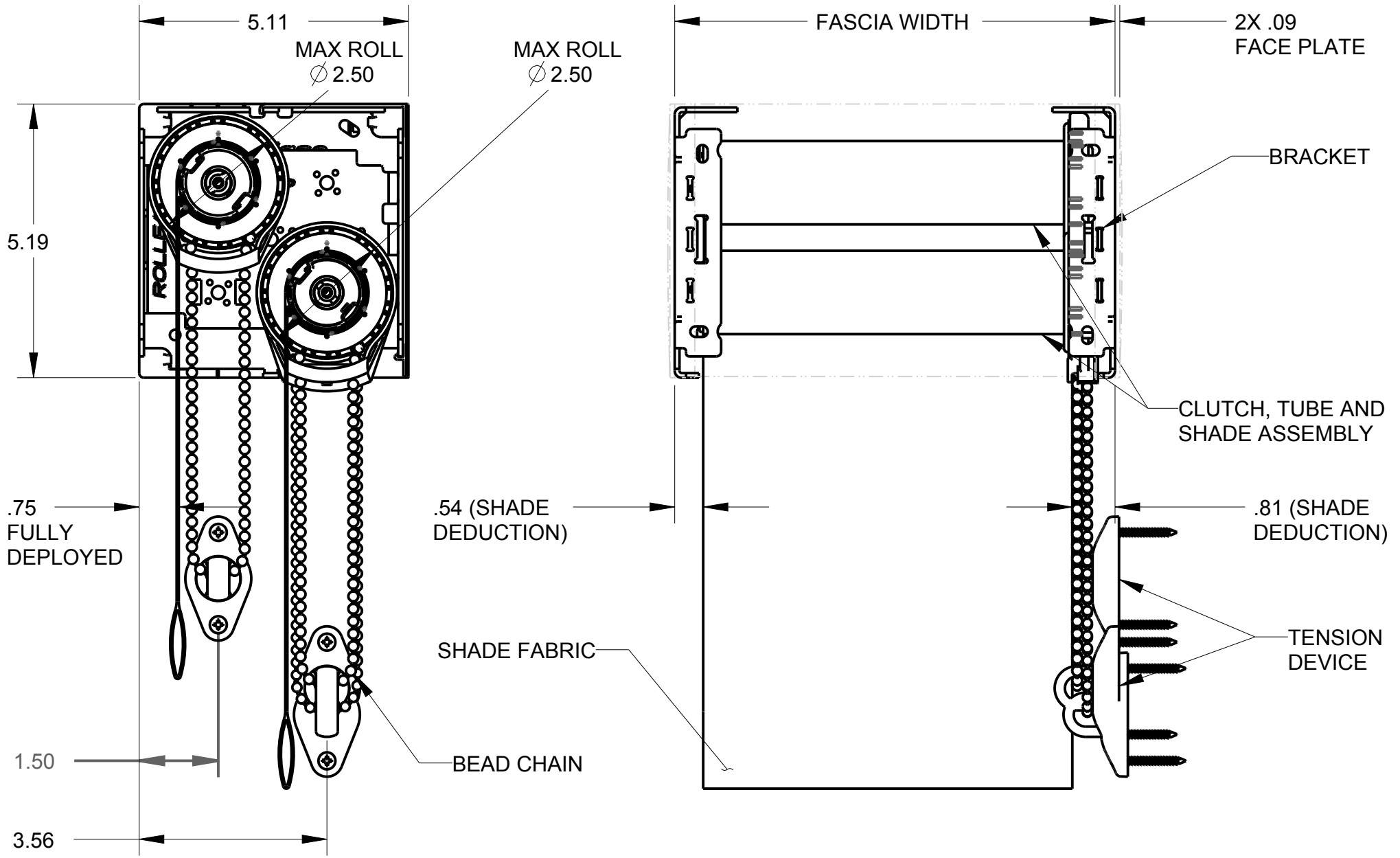
SCALE
NOT TO SCALE. DIMENSIONS IN INCHES.

DRAWN BY
EnZ

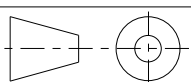
REVISION
1

R-SERIES 5in. FASCIA, DUAL SHADE RGL CLUTCH,
RTEA4 1.50 DIA TUBE, RE002201/0202 BRACKET

A2080



RollEase Headquarters
200 Harvard Avenue
Stamford, CT 06902-6320 USA
Office: 203.964.1573/ 800.552.5100
www.rollease.com



SCALE

NOT TO SCALE. DIMENSIONS IN INCHES.

DRAWN BY

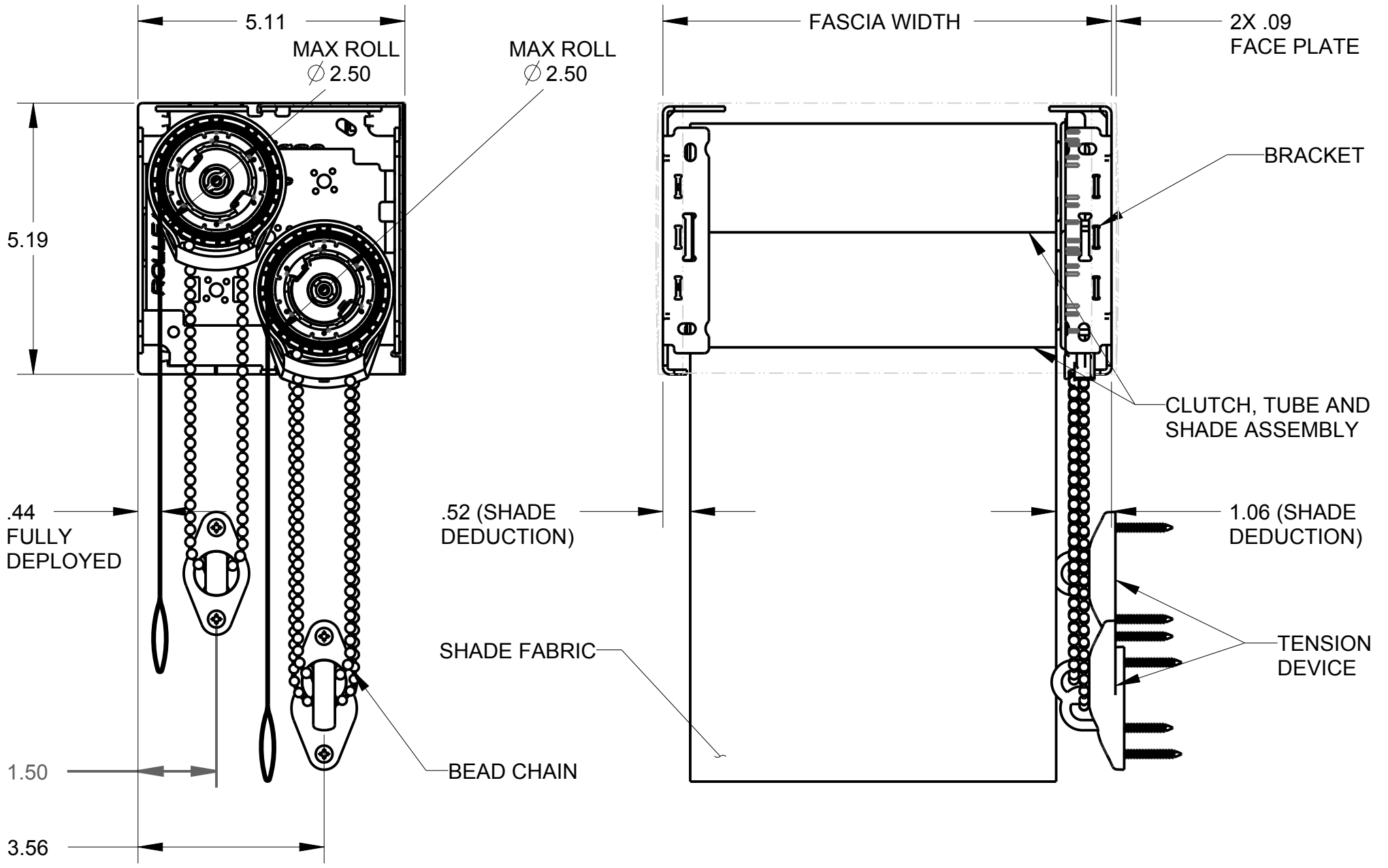
EnZ

REVISION

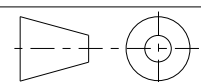
1

R-SERIES 5in. FASCIA, DUAL SHADE RGAL CLUTCH, RTEA5
2.00 DIA TUBE, RA2 ADAPTER RE002201/0202 BRACKET

A2082



RollEase Headquarters
200 Harvard Avenue
Stamford, CT 06902-6320 USA
Office: 203.964.1573/ 800.552.5100
www.rollease.com



SCALE
NOT TO SCALE. DIMENSIONS IN INCHES.

DRAWN BY
EnZ

REVISION
1