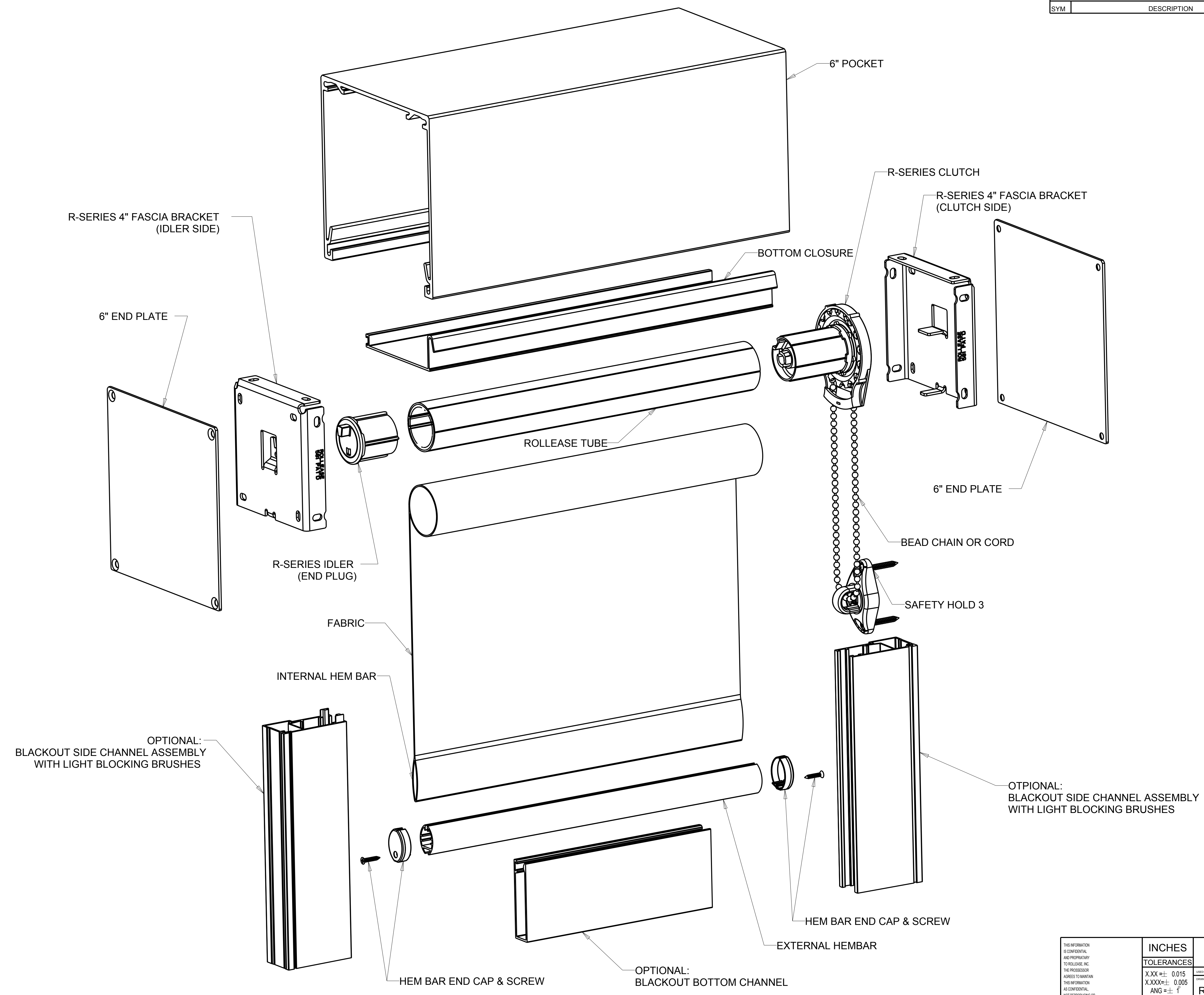
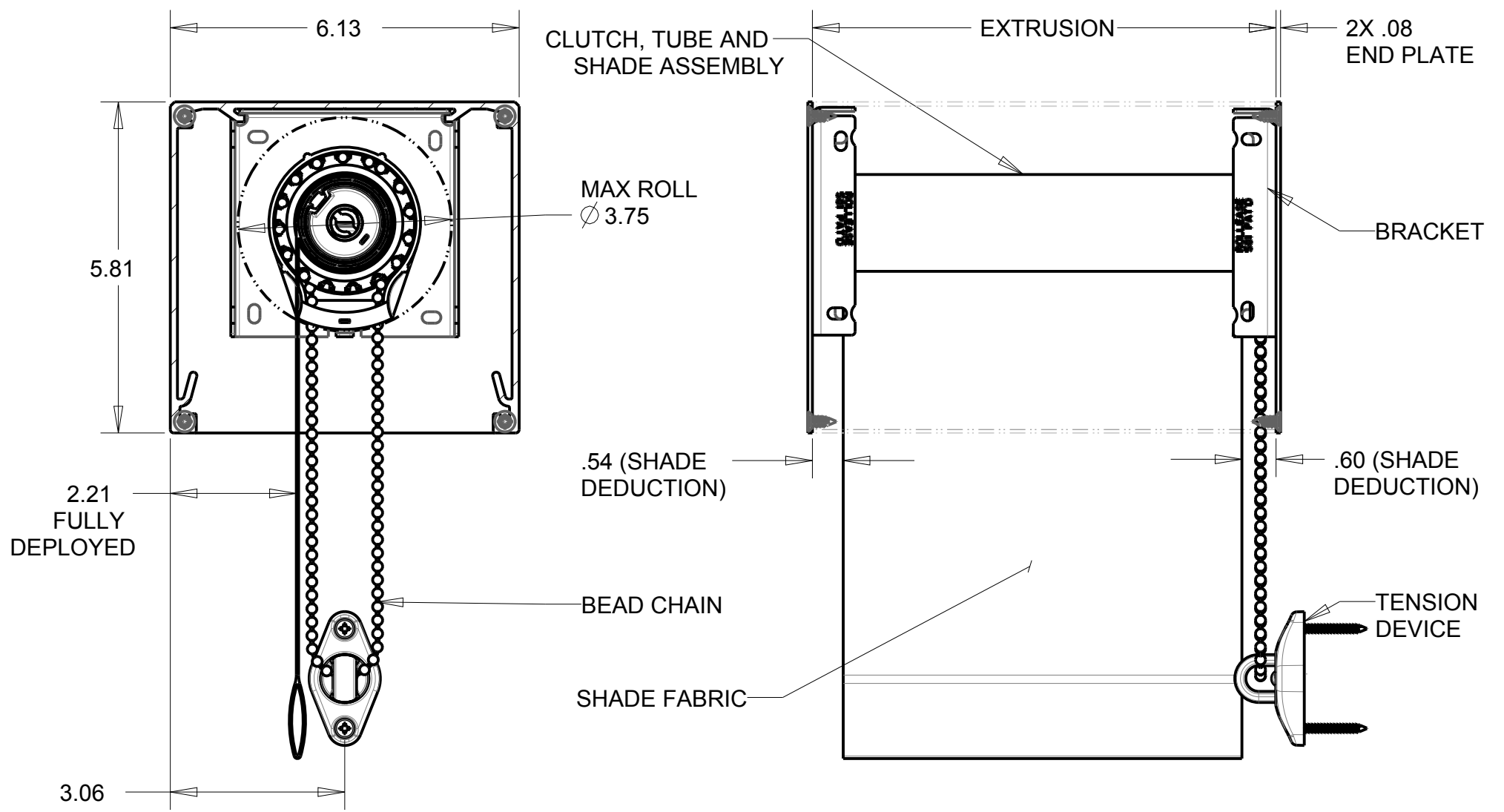


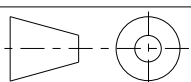
REVISION RECORD				
SYM	DESCRIPTION	BY	DATE	CHK



<small>THIS INFORMATION IS CONFIDENTIAL AND PROPRIETARY TO ROLLEASE, INC. THE POSSESSOR AGREES TO MAINTAIN THIS INFORMATION AS CONFIDENTIAL, NOT REPRODUCE OR DISSEMINATE IN WHOLE OR IN PART TO ANY THIRD PARTY.</small>	INCHES		RollEase	
	TOLERANCES		Window Covering Systems	
	X.XX ± 0.015	DATE	DESIGNED BY	DATE
	X.XXX ± 0.005	RAE	6" CONTRACT R-16	1.8
ANG ± 1°	03MAY13	D	W174P021	1



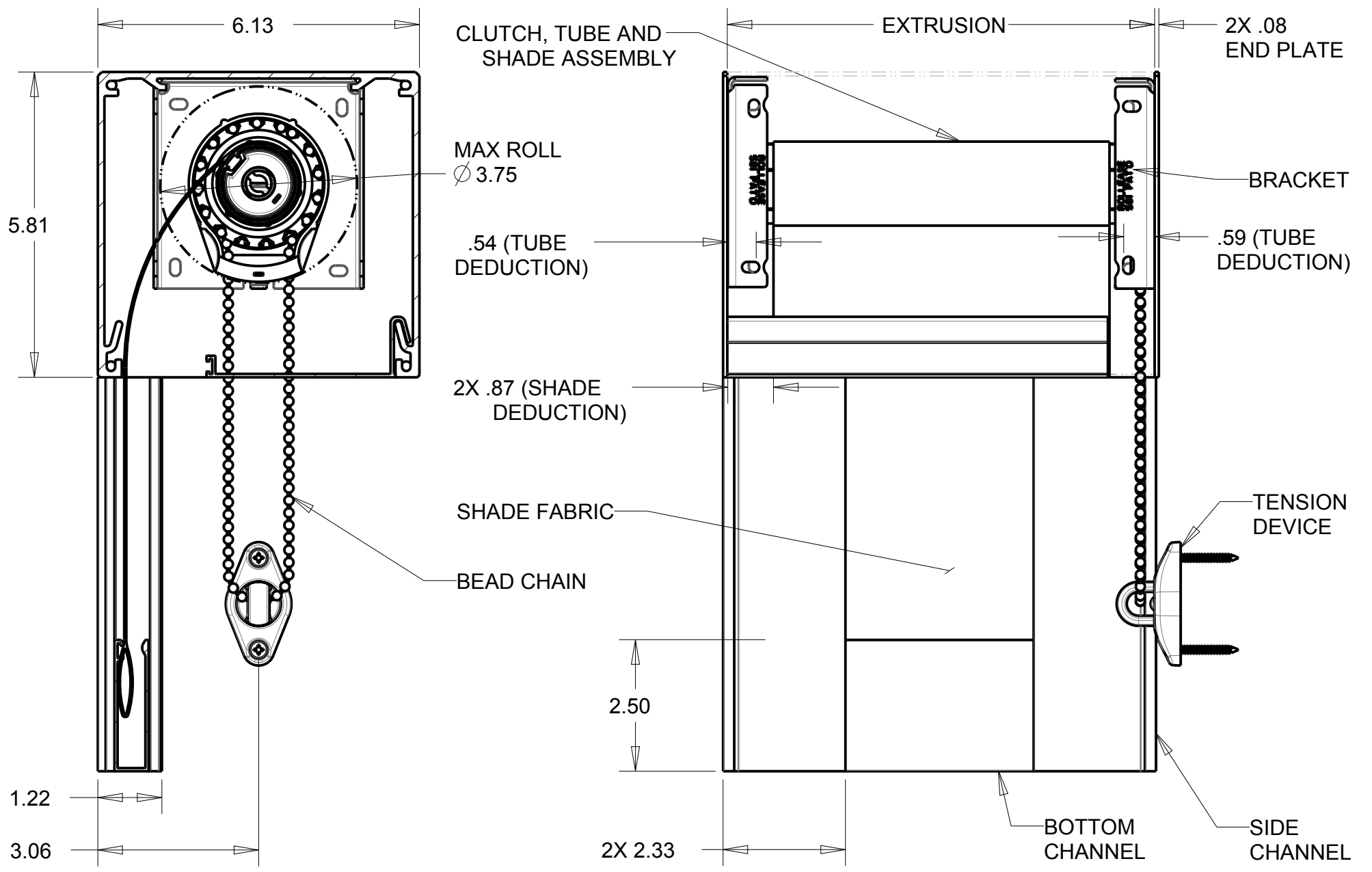
RollEase Headquarters
 200 Harvard Avenue
 Stamford, CT 06902-6320 USA
 Office: 203.964.1573/ 800.552.5100
 www.rollease.com



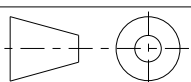
SCALE
 NOT TO SCALE. DIMENSIONS IN INCHES.

DRAWN BY
 MCC

REVISION
 1



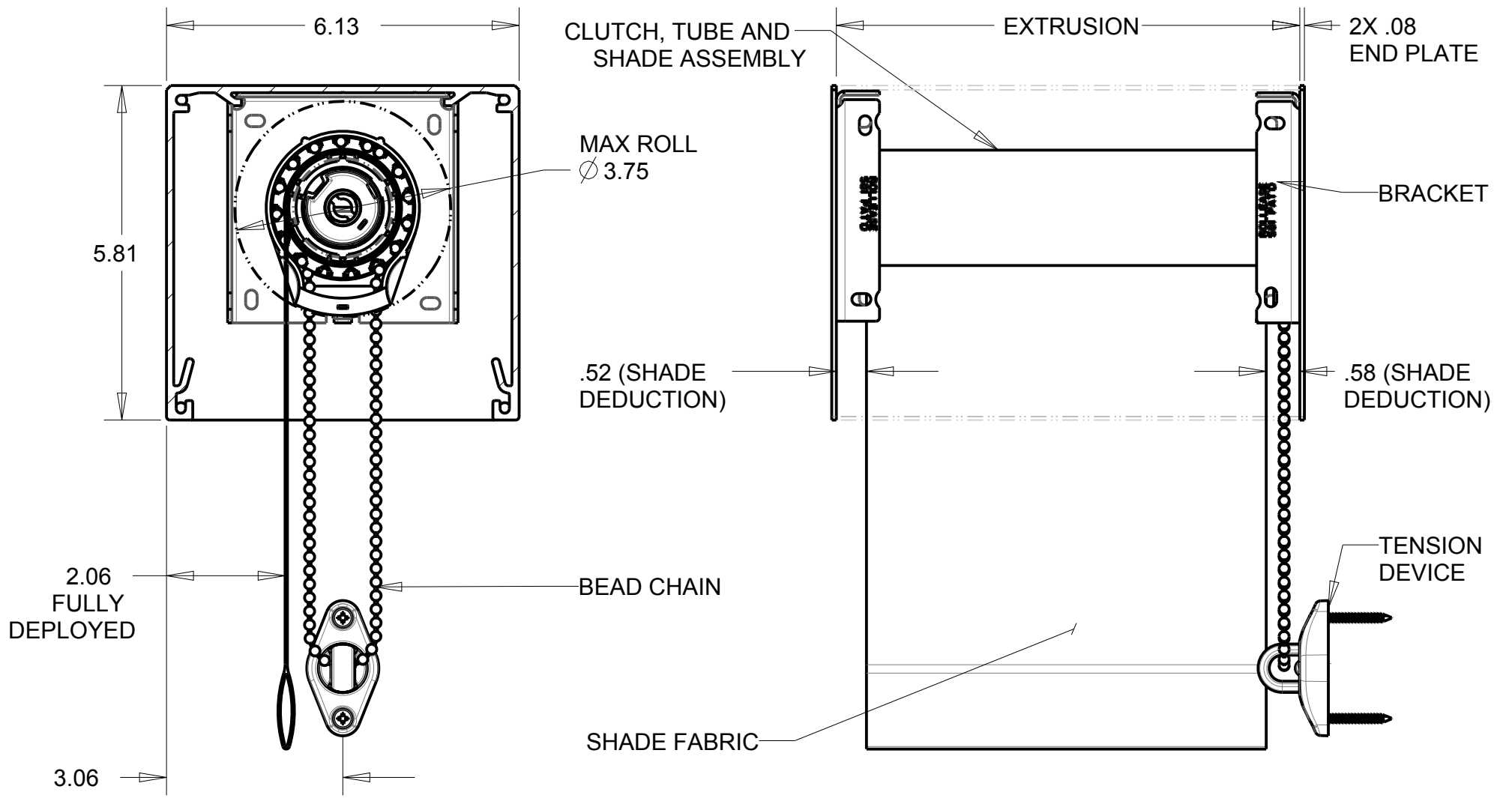
RollEase Headquarters
 200 Harvard Avenue
 Stamford, CT 06902-6320 USA
 Office: 203.964.1573/ 800.552.5100
 www.rollease.com



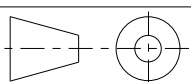
SCALE
 NOT TO SCALE. DIMENSIONS IN INCHES.

DRAWN BY
 MCC

REVISION
 1



RollEase Headquarters
200 Harvard Avenue
Stamford, CT 06902-6320 USA
Office: 203.964.1573/ 800.552.5100
www.rollease.com



SCALE

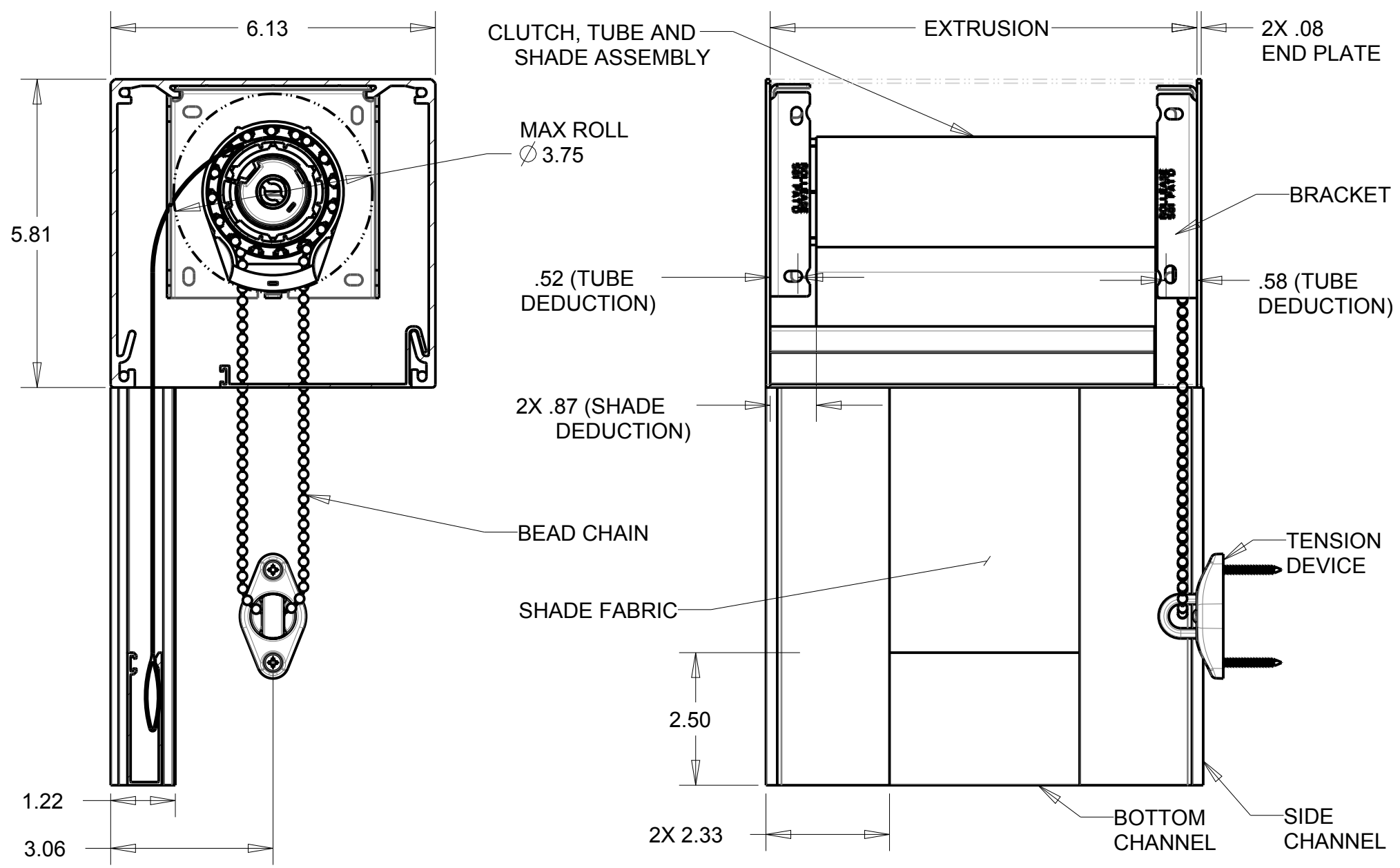
NOT TO SCALE. DIMENSIONS IN INCHES.

DRAWN BY

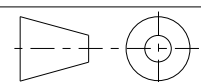
MCC

REVISION

1



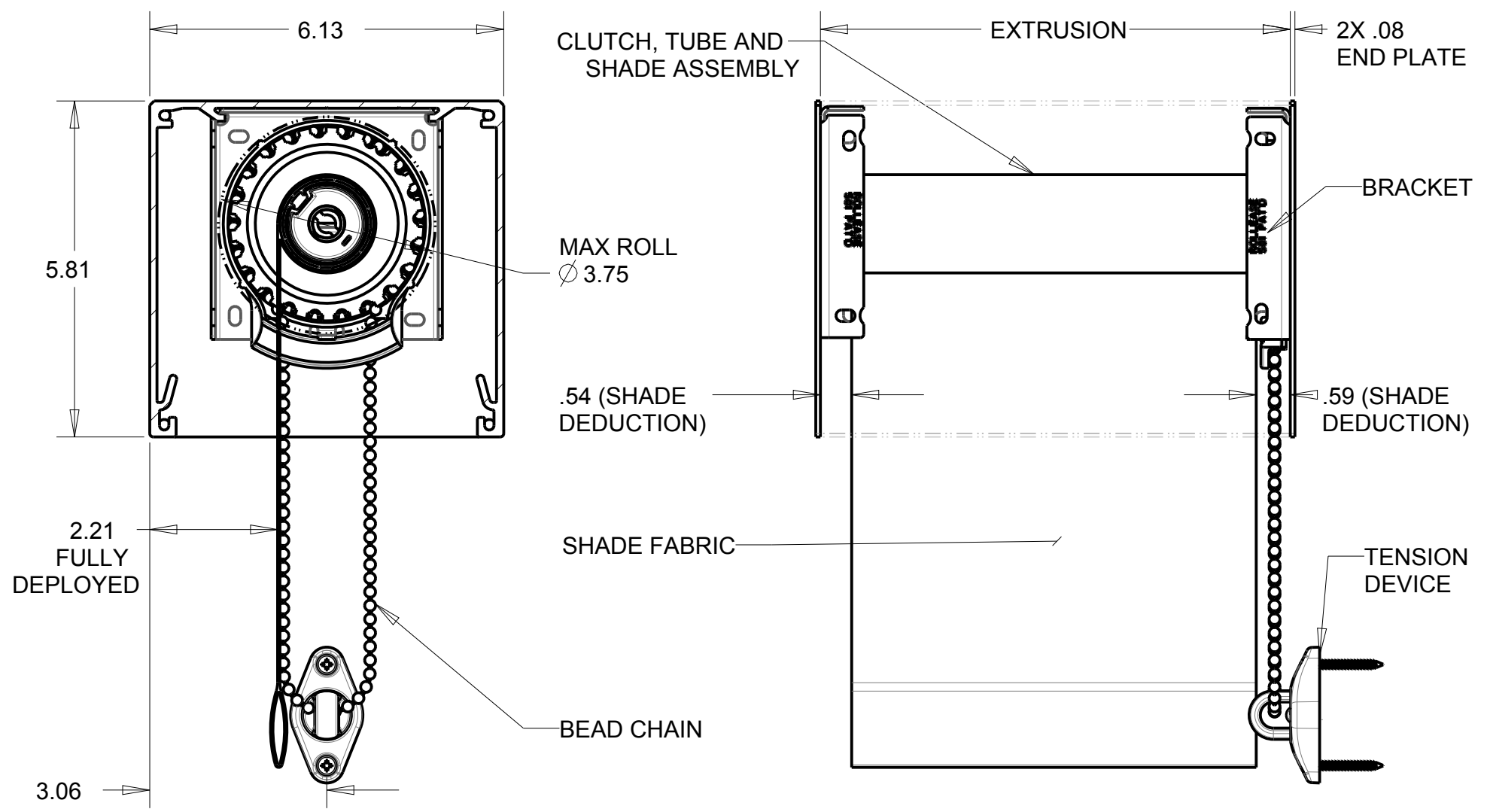
RollEase Headquarters
 200 Harvard Avenue
 Stamford, CT 06902-6320 USA
 Office: 203.964.1573/ 800.552.5100
 www.rollease.com



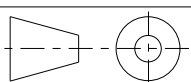
SCALE
 NOT TO SCALE. DIMENSIONS IN INCHES.

DRAWN BY
 MCC

REVISION
 1



RollEase Headquarters
200 Harvard Avenue
Stamford, CT 06902-6320 USA
Office: 203.964.1573/ 800.552.5100
www.rollease.com



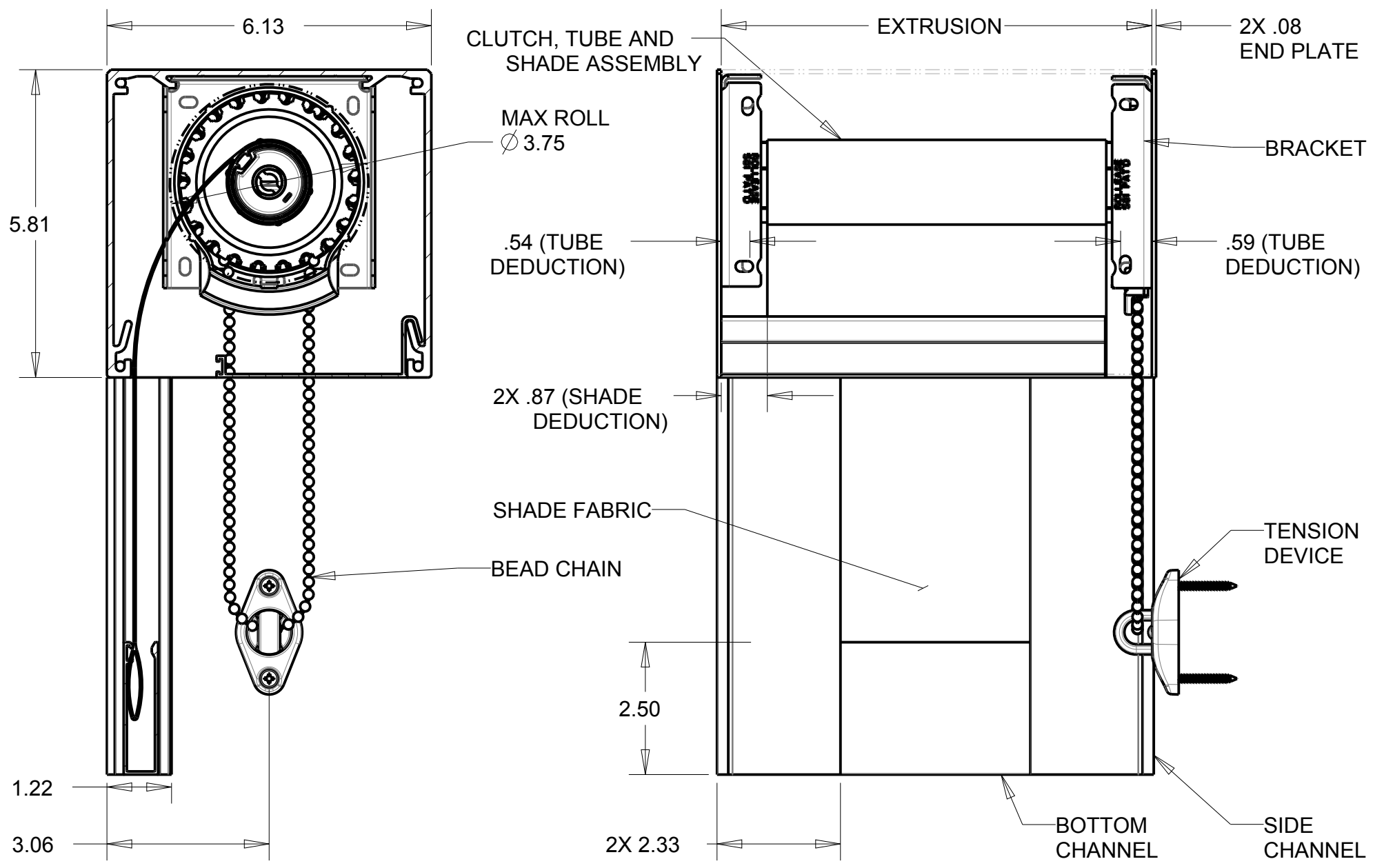
SCALE
NOT TO SCALE. DIMENSIONS IN INCHES.

DRAWN BY
MCC

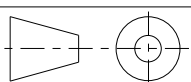
REVISION
1

R-SERIES, 6IN POCKET, R24C53 CLUTCH, 1.5 DIA TUBE,
RB581 BRACKET SIDE CHANNELS AND BOTTOM CLOSURE

A2109



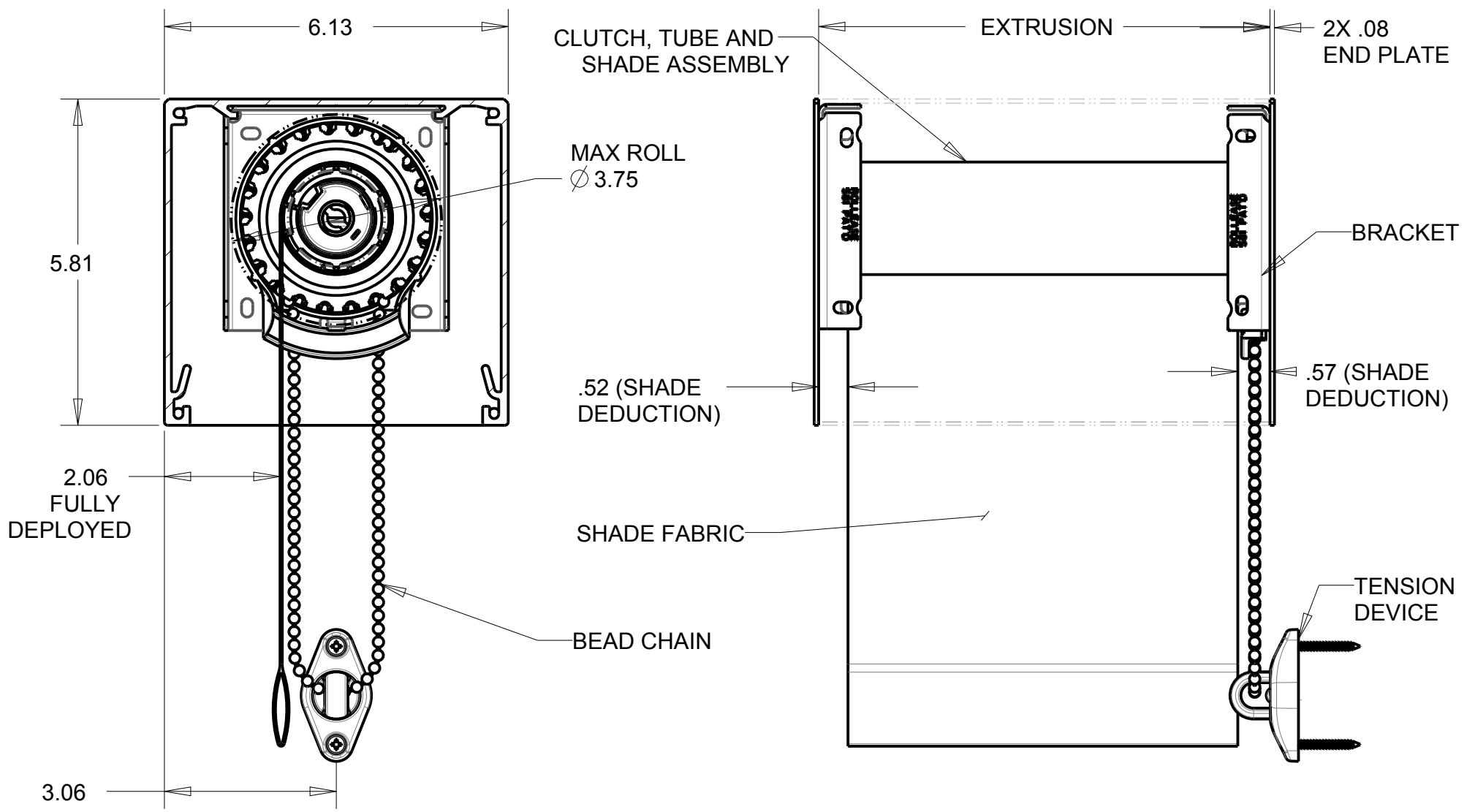
RollEase Headquarters
200 Harvard Avenue
Stamford, CT 06902-6320 USA
Office: 203.964.1573/ 800.552.5100
www.rollease.com



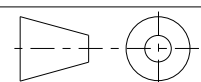
SCALE
NOT TO SCALE. DIMENSIONS IN INCHES.

DRAWN BY
MCC

REVISION
1



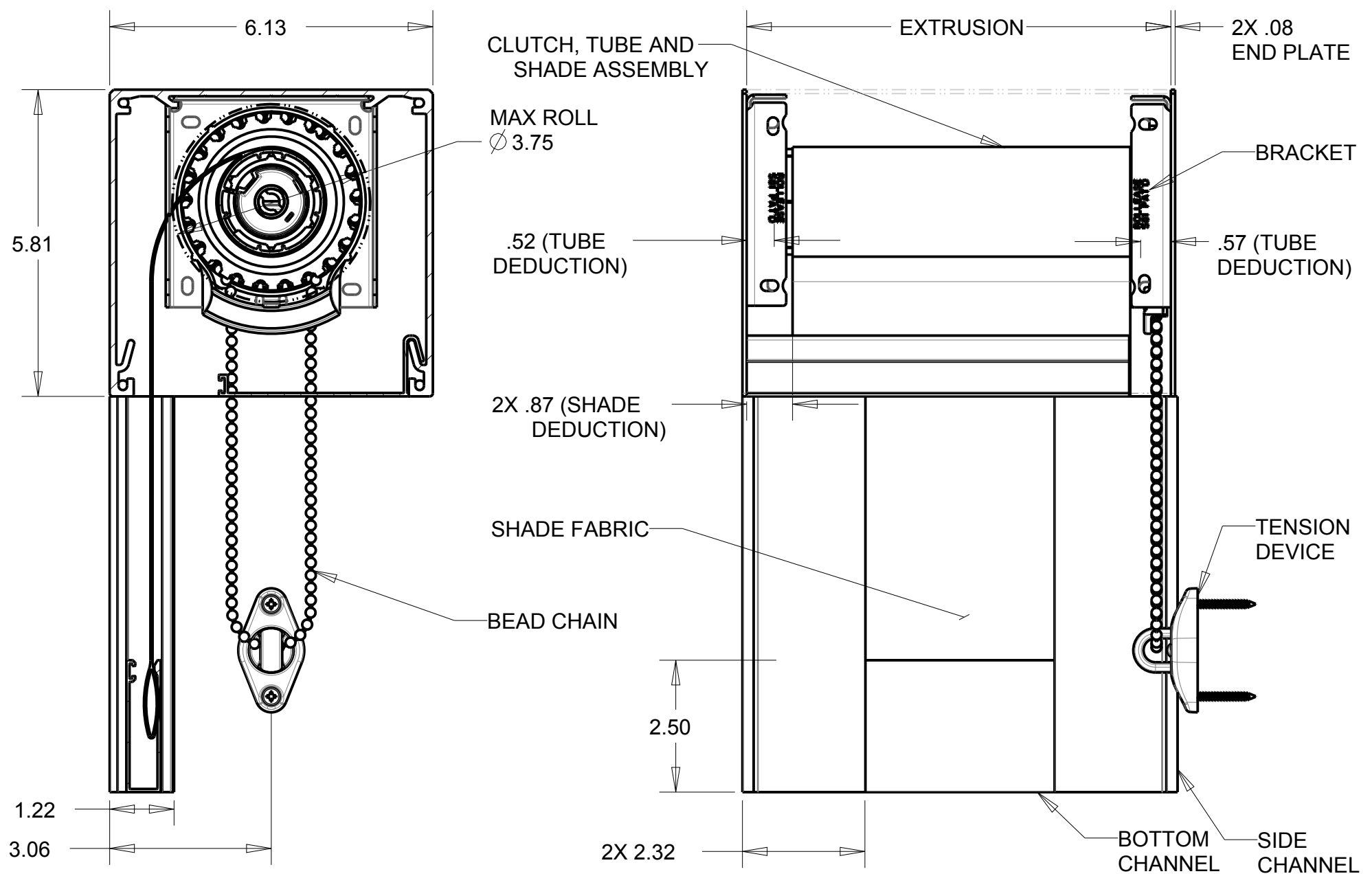
RollEase Headquarters
200 Harvard Avenue
Stamford, CT 06902-6320 USA
Office: 203.964.1573/ 800.552.5100
www.rollease.com



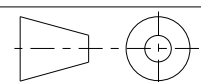
SCALE
NOT TO SCALE. DIMENSIONS IN INCHES.

DRAWN BY
MCC

REVISION
1



RollEase Headquarters
200 Harvard Avenue
Stamford, CT 06902-6320 USA
Office: 203.964.1573/ 800.552.5100
www.rollease.com



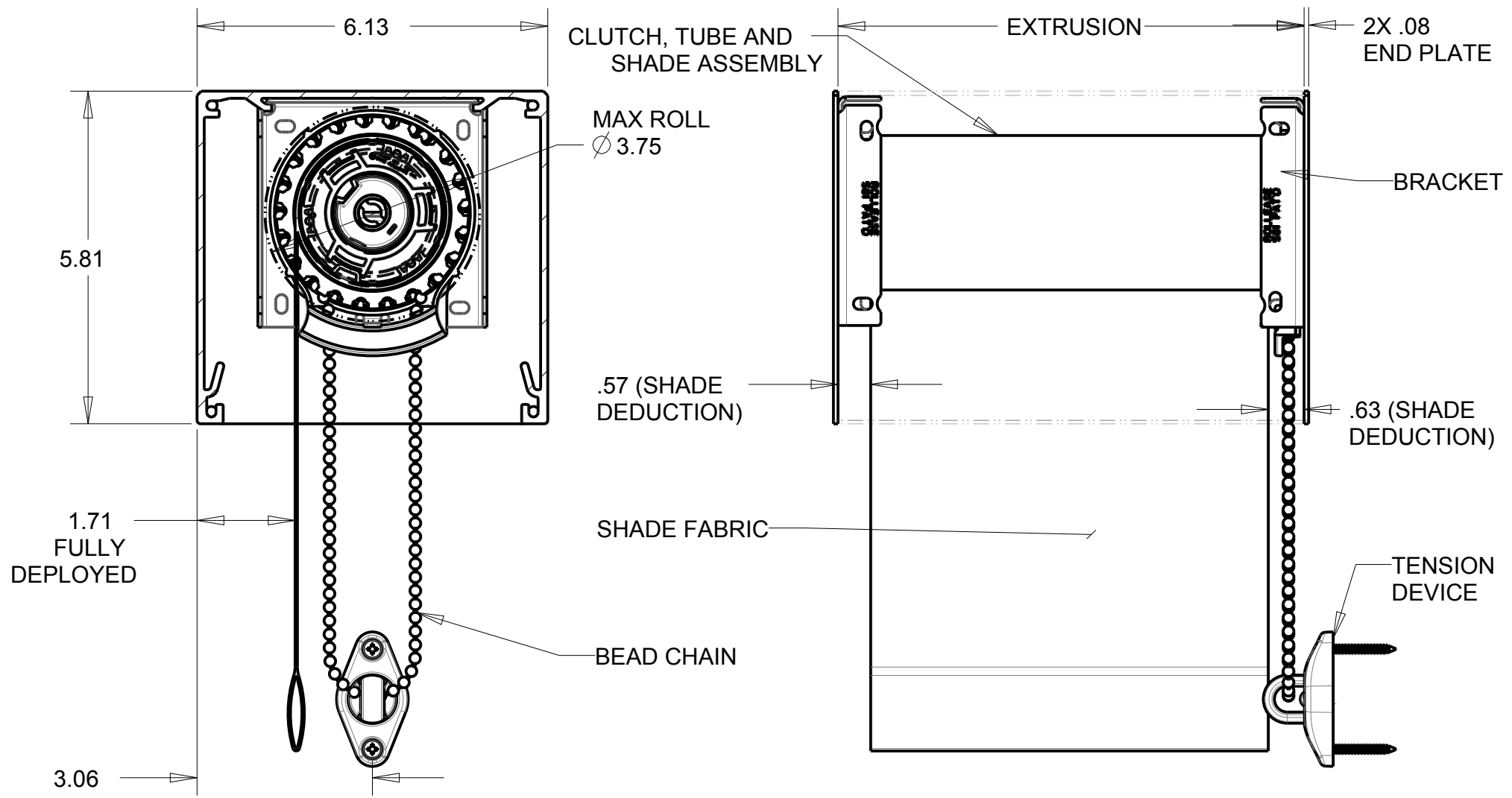
SCALE
NOT TO SCALE. DIMENSIONS IN INCHES.

DRAWN BY
MCC

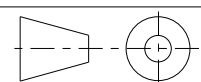
REVISION
1

R-SERIES 6IN POCKET, R24C53 CLUTCH, 2.5 DIA TUBE,
RA25 ADAPTER, RB581 BRACKET NO CLOSURE

A2100



RollEase Headquarters
200 Harvard Avenue
Stamford, CT 06902-6320 USA
Office: 203.964.1573/ 800.552.5100
www.rollease.com



SCALE

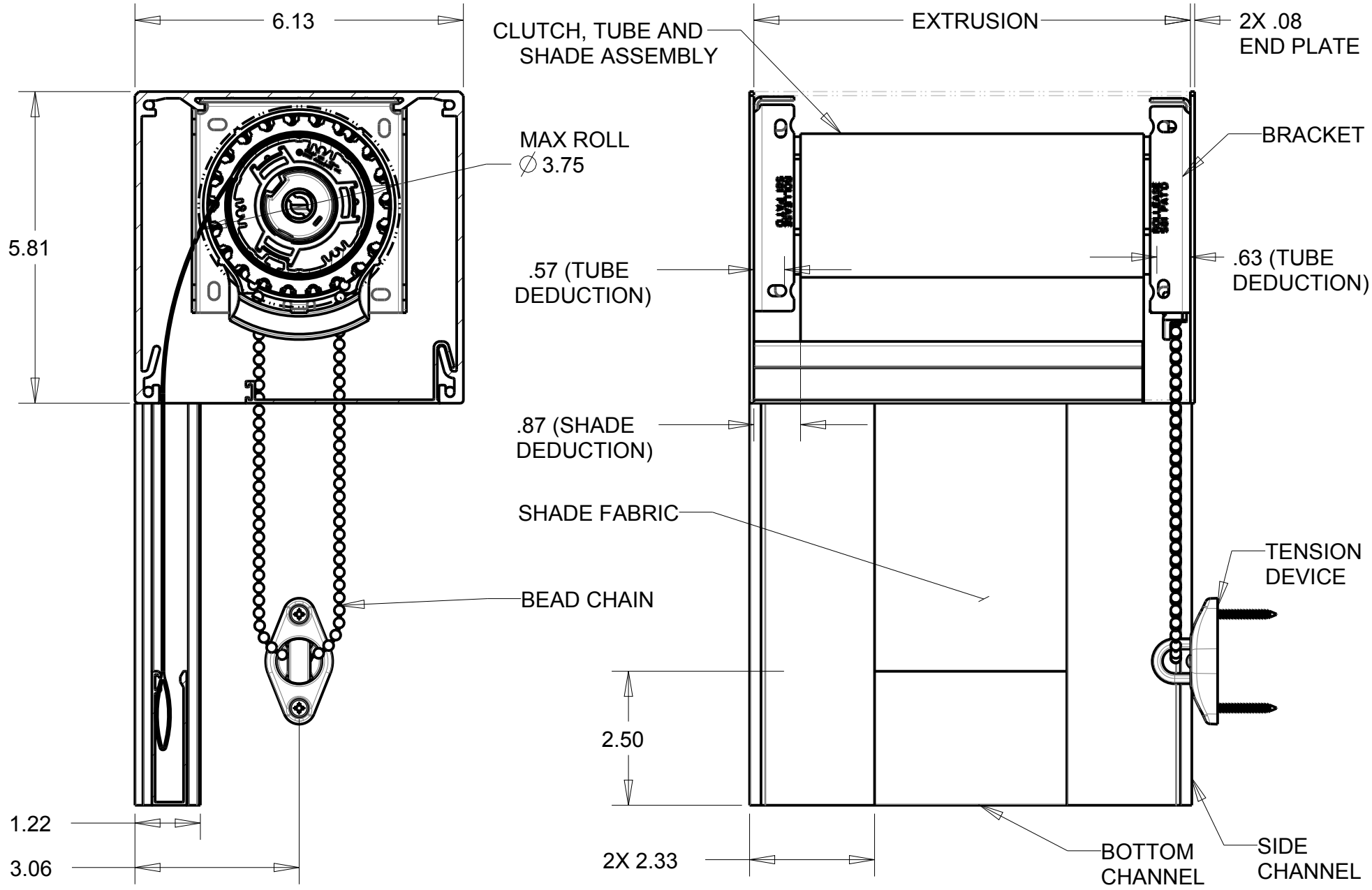
NOT TO SCALE. DIMENSIONS IN INCHES.

DRAWN BY

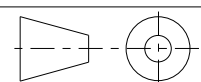
MCC

REVISION

1



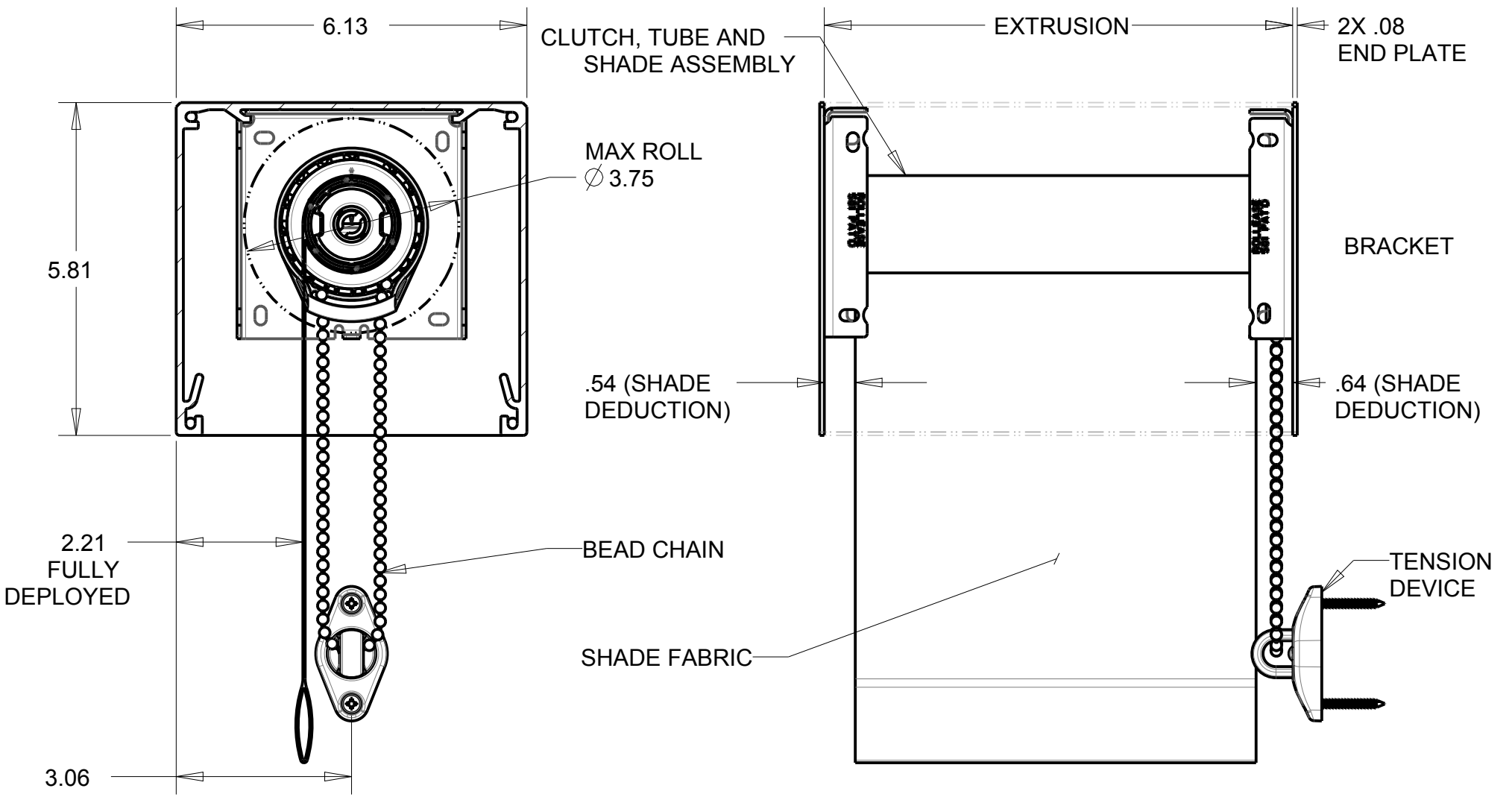
RollEase Headquarters
 200 Harvard Avenue
 Stamford, CT 06902-6320 USA
 Office: 203.964.1573/ 800.552.5100
 www.rollease.com



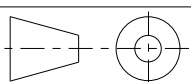
SCALE
 NOT TO SCALE. DIMENSIONS IN INCHES.

DRAWN BY
 MCC

REVISION
 1



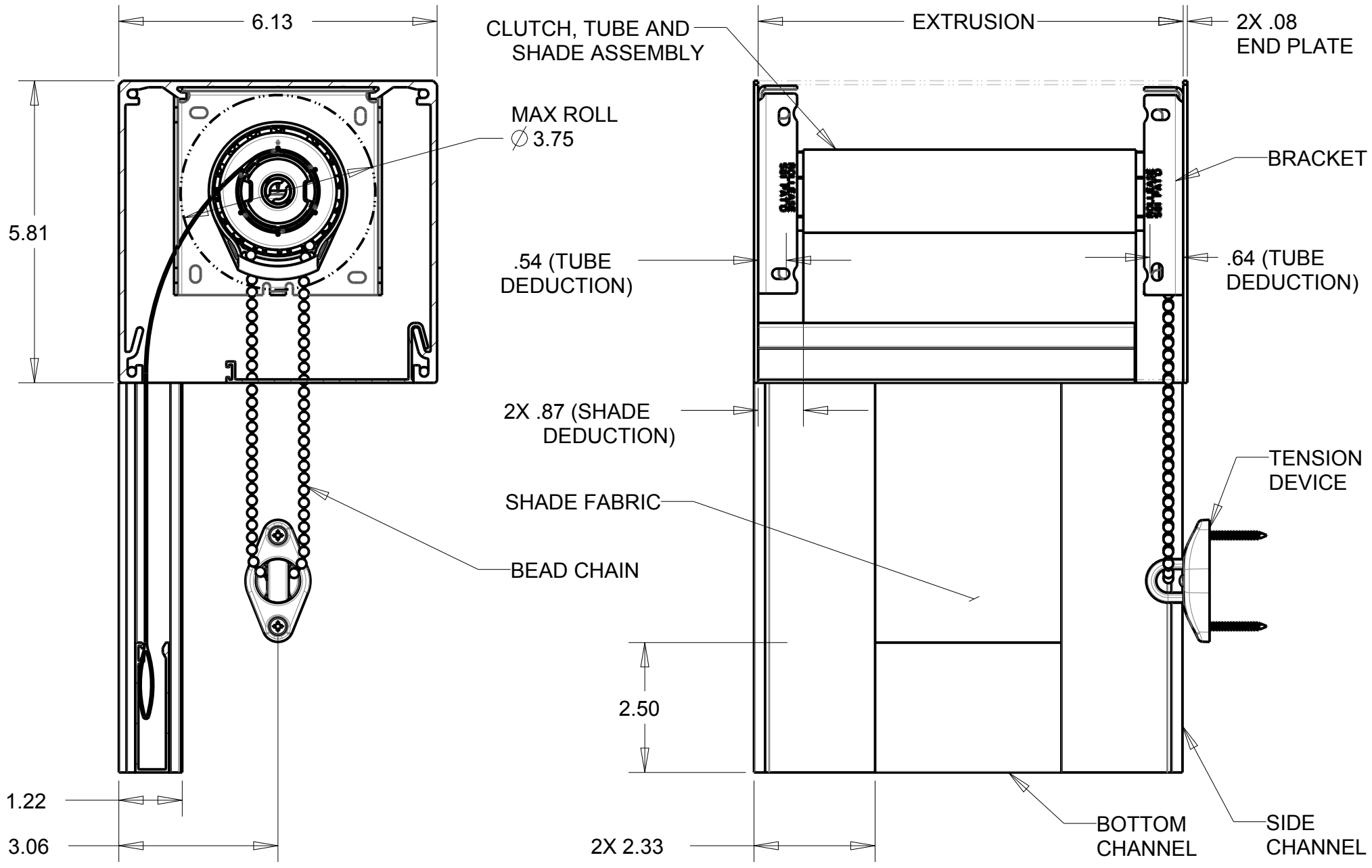
RollEase Headquarters
200 Harvard Avenue
Stamford, CT 06902-6320 USA
Office: 203.964.1573/ 800.552.5100
www.rollease.com



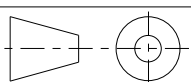
SCALE
NOT TO SCALE. DIMENSIONS IN INCHES.

DRAWN BY
MCC

REVISION
1



RollEase Headquarters
200 Harvard Avenue
Stamford, CT 06902-6320 USA
Office: 203.964.1573/ 800.552.5100
www.rollease.com



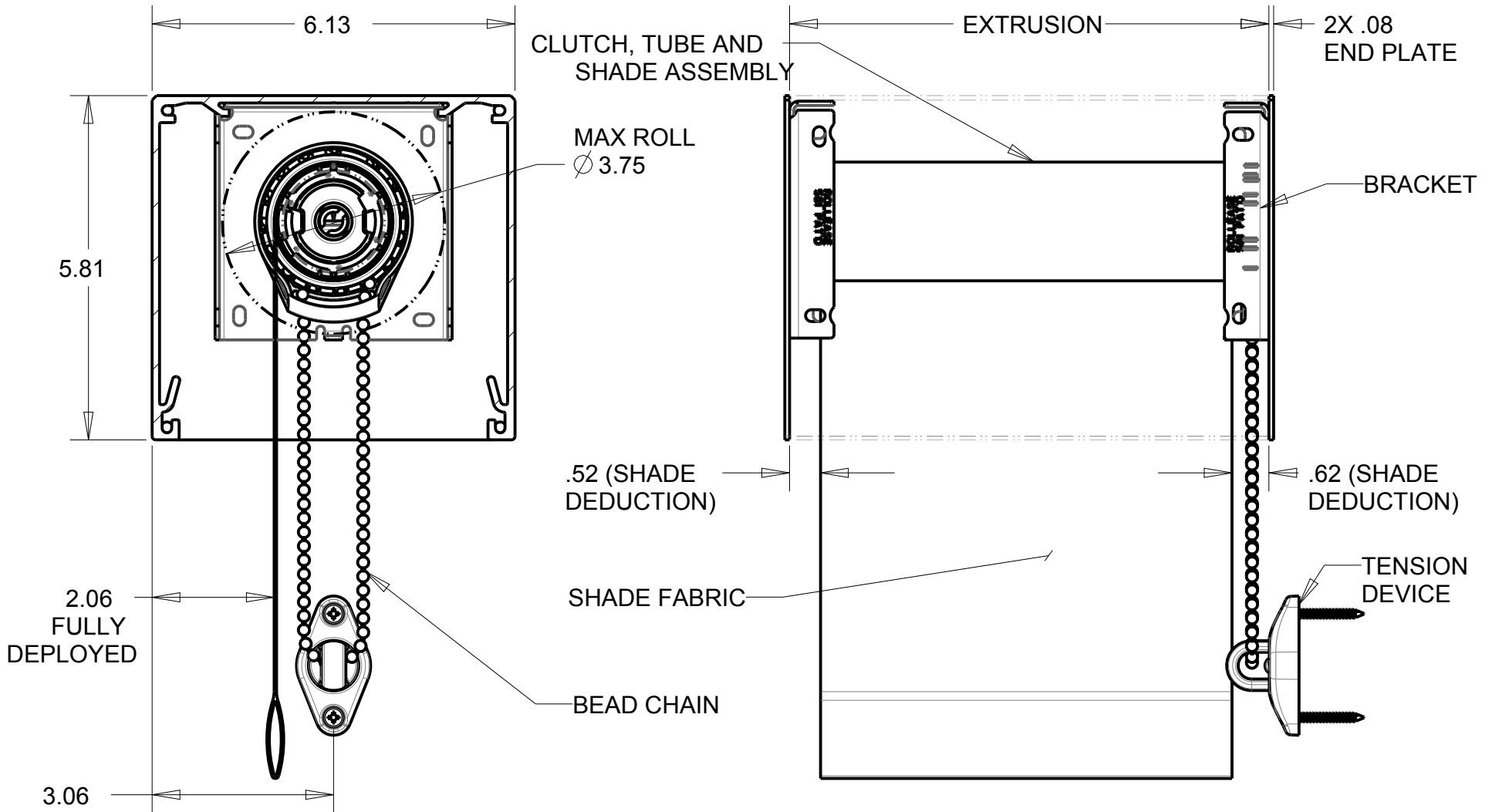
SCALE
NOT TO SCALE. DIMENSIONS IN INCHES.

DRAWN BY
MCC

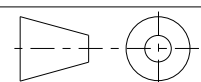
REVISION
1

R-SERIES 6IN POCKET, RGAL; CLUTCH, 2.0 DIA TUBE,
RA2 ADAPTER, RB581 BRACKET NO CLOSURE

A2102



RollEase Headquarters
200 Harvard Avenue
Stamford, CT 06902-6320 USA
Office: 203.964.1573/ 800.552.5100
www.rollease.com



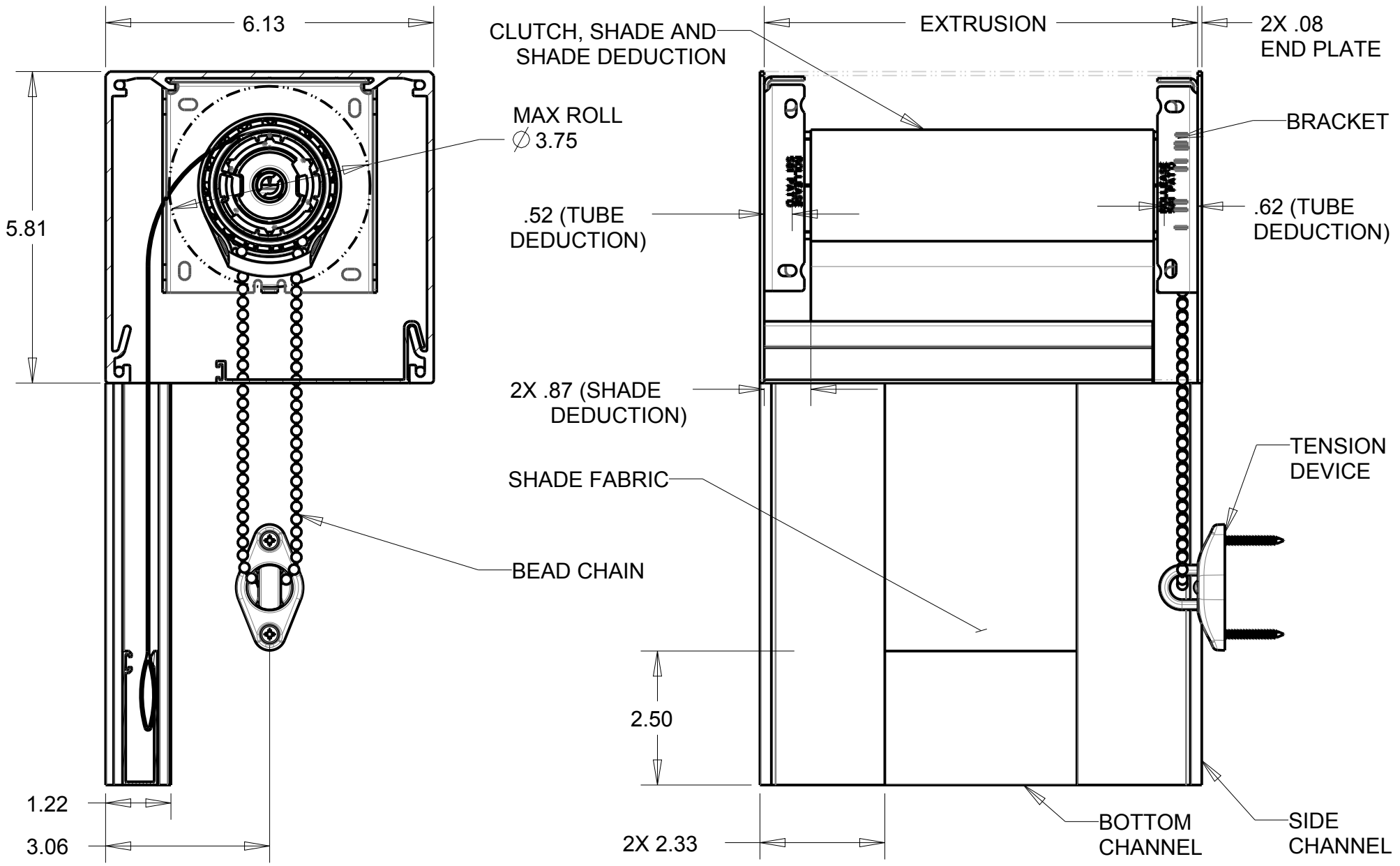
SCALE
NOT TO SCALE. DIMENSIONS IN INCHES.

DRAWN BY
MCC

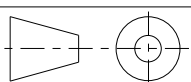
REVISION
1

R-SERIES 6IN POCKET, RGAL CLUTCH, 2.0 DIA TUBE
 RA2 ADAPTER RB581 BRACKET SIDE CHANNELS BOTTOM CLOSURE

A2113



RollEase Headquarters
 200 Harvard Avenue
 Stamford, CT 06902-6320 USA
 Office: 203.964.1573/ 800.552.5100
 www.rollease.com



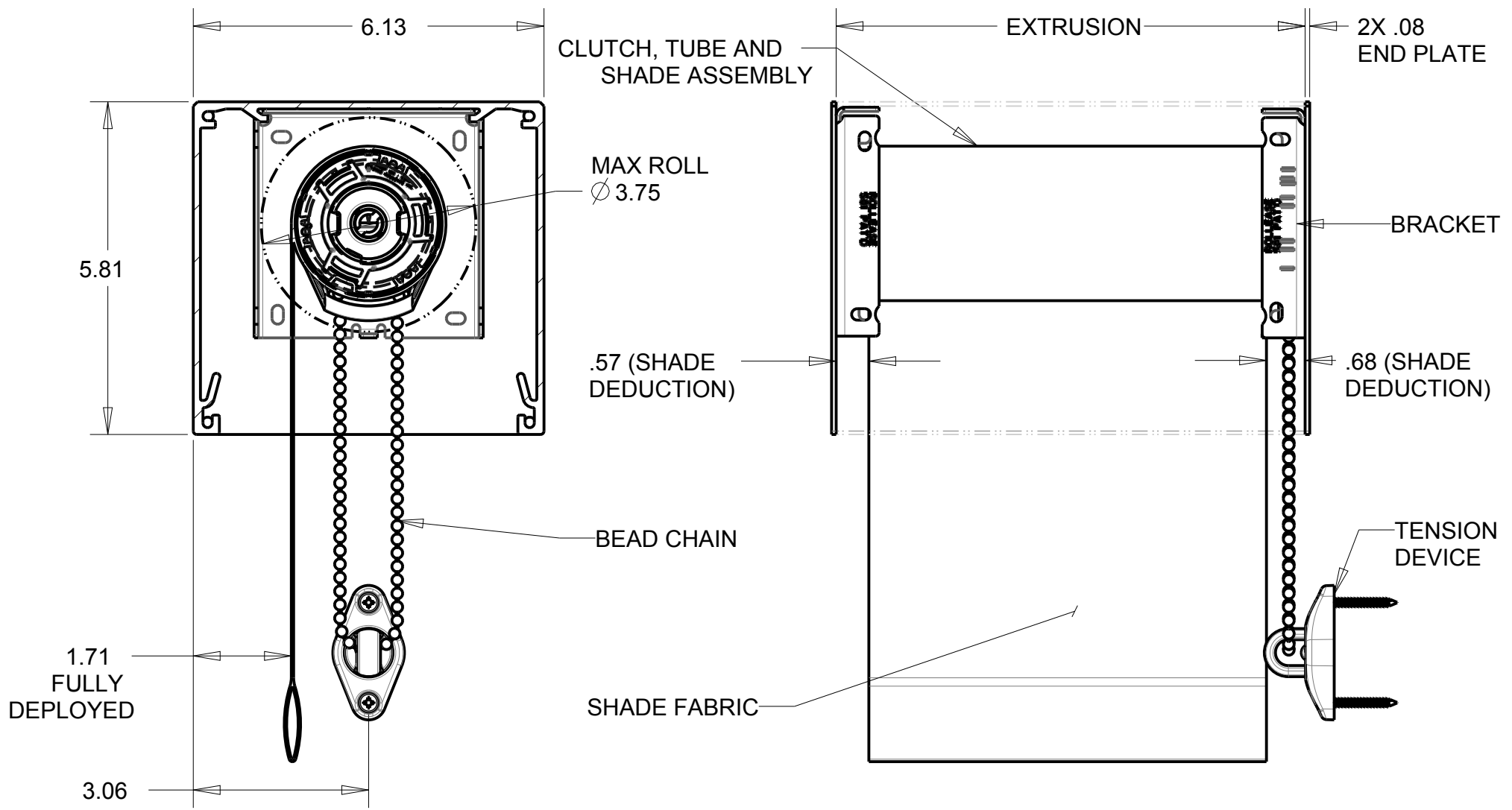
SCALE
 NOT TO SCALE. DIMENSIONS IN INCHES.

DRAWN BY
 MCC

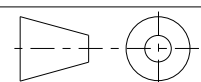
REVISION
 1

R-SERIES 6IN POCKET, RGAL; CLUTCH, 2.5 DIA TUBE, RA25 ADAPTER, RB581 BRACKET NO CLOSURE

A2103



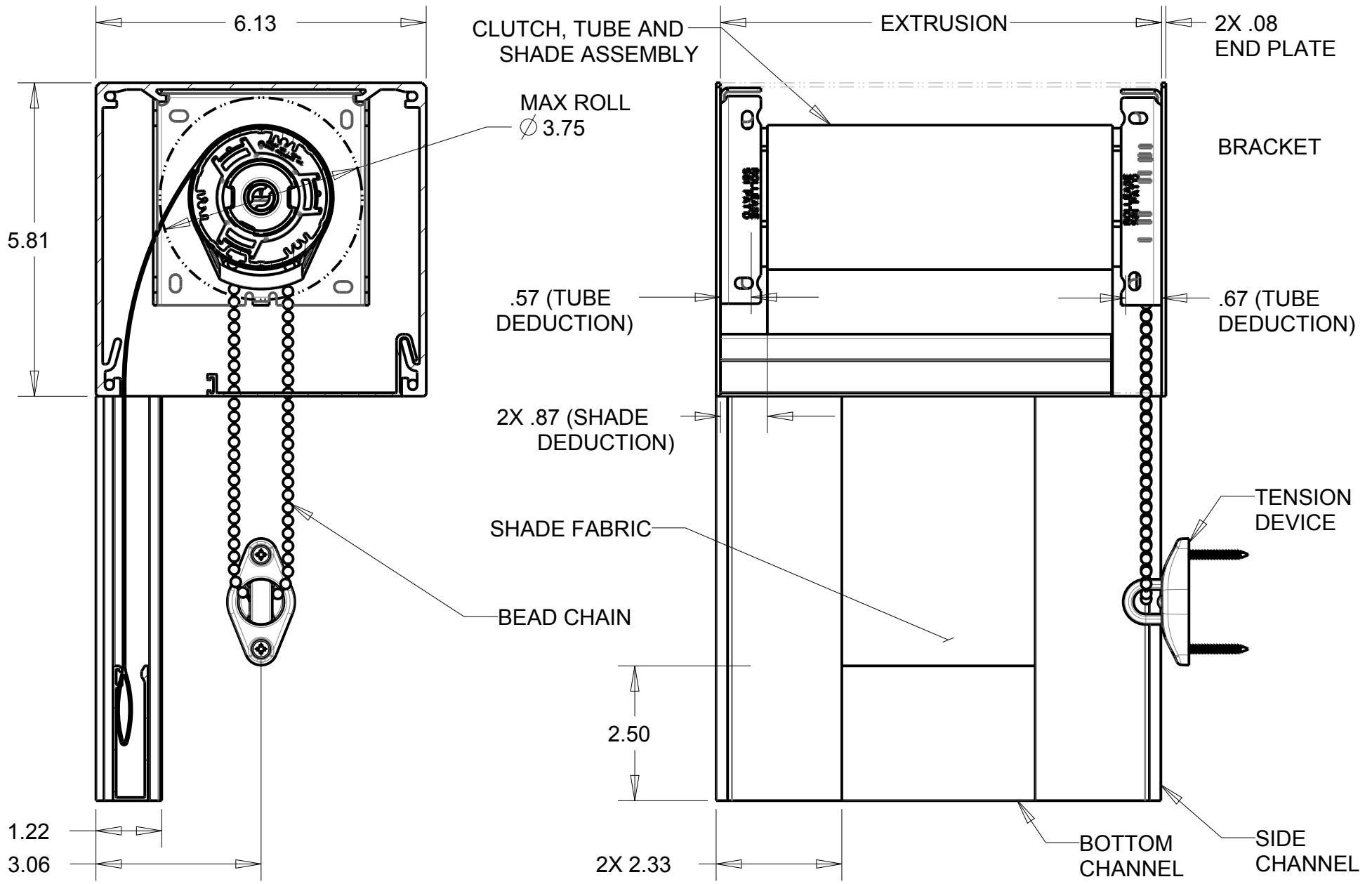
RollEase Headquarters
 200 Harvard Avenue
 Stamford, CT 06902-6320 USA
 Office: 203.964.1573/ 800.552.5100
 www.rollease.com



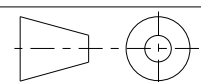
SCALE
 NOT TO SCALE. DIMENSIONS IN INCHES.

DRAWN BY
 MCC

REVISION
 1



RollEase Headquarters
200 Harvard Avenue
Stamford, CT 06902-6320 USA
Office: 203.964.1573/ 800.552.5100
www.rollease.com



SCALE

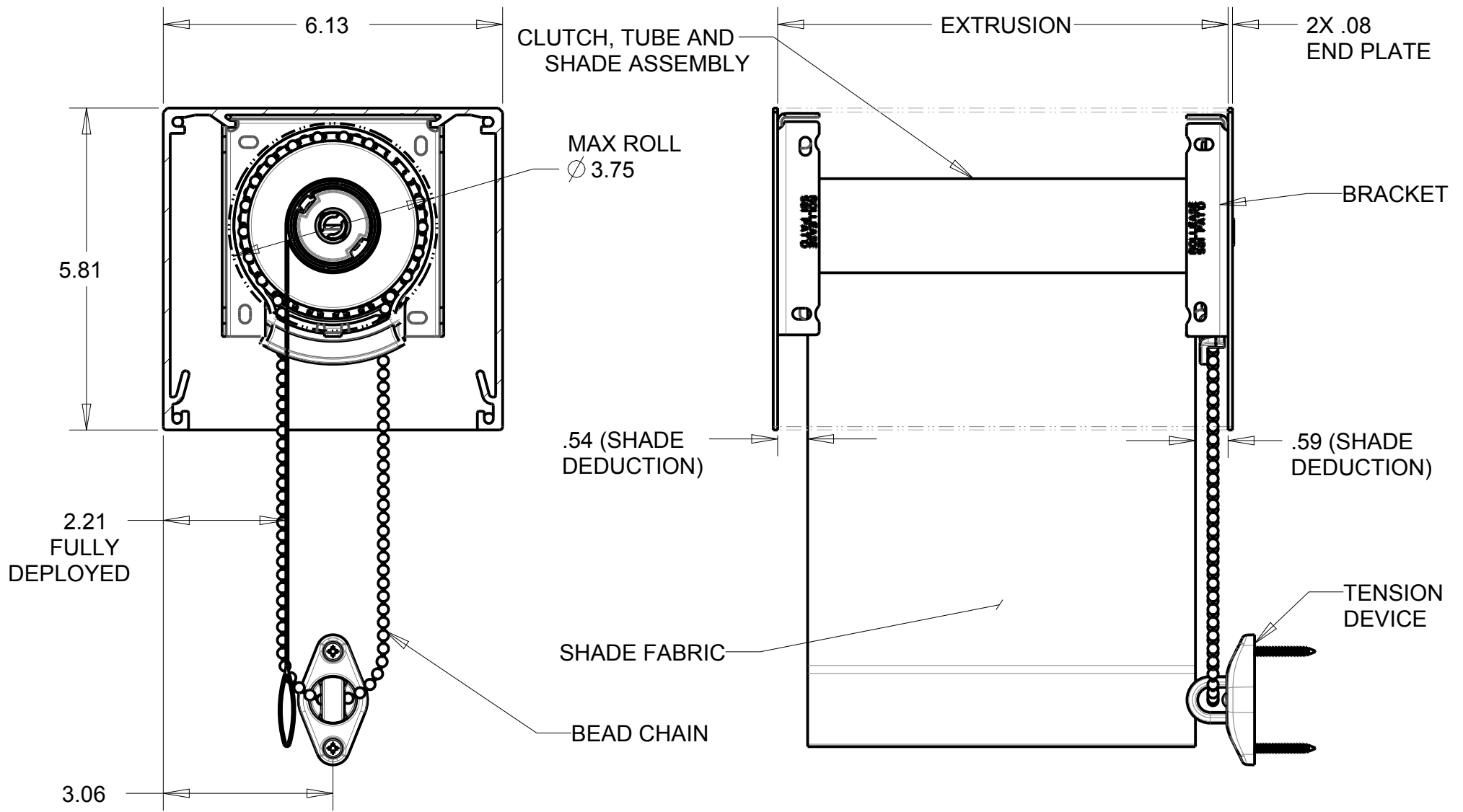
NOT TO SCALE. DIMENSIONS IN INCHES.

DRAWN BY

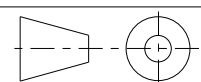
MCC

REVISION

1



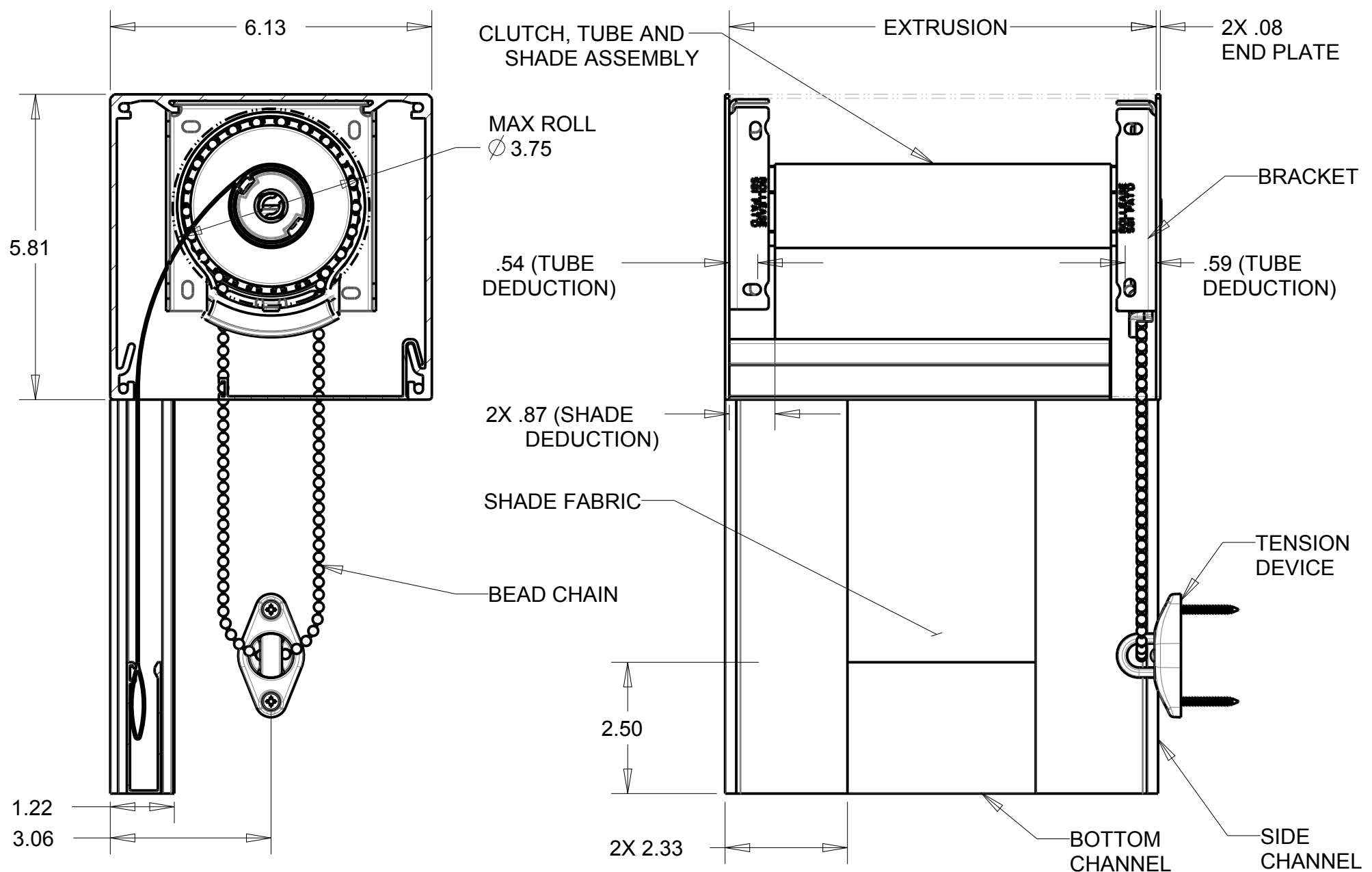
RollEase Headquarters
 200 Harvard Avenue
 Stamford, CT 06902-6320 USA
 Office: 203.964.1573/ 800.552.5100
 www.rollease.com



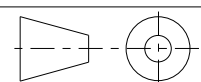
SCALE
 NOT TO SCALE. DIMENSIONS IN INCHES.

DRAWN BY
 MCC

REVISION
 1



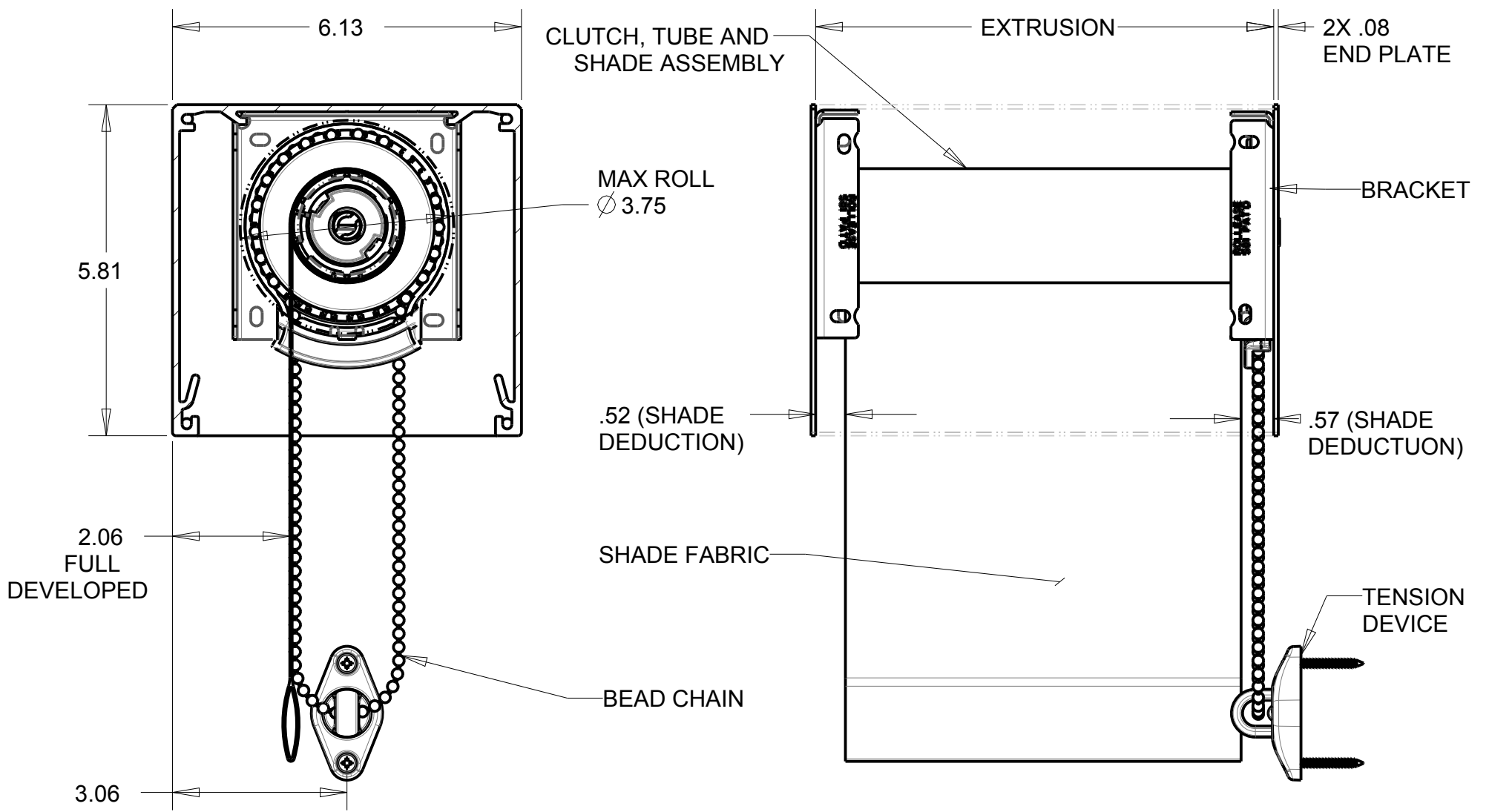
RollEase Headquarters
 200 Harvard Avenue
 Stamford, CT 06902-6320 USA
 Office: 203.964.1573/ 800.552.5100
 www.rollease.com



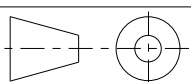
SCALE
 NOT TO SCALE. DIMENSIONS IN INCHES.

DRAWN BY
 MCC

REVISION
 1



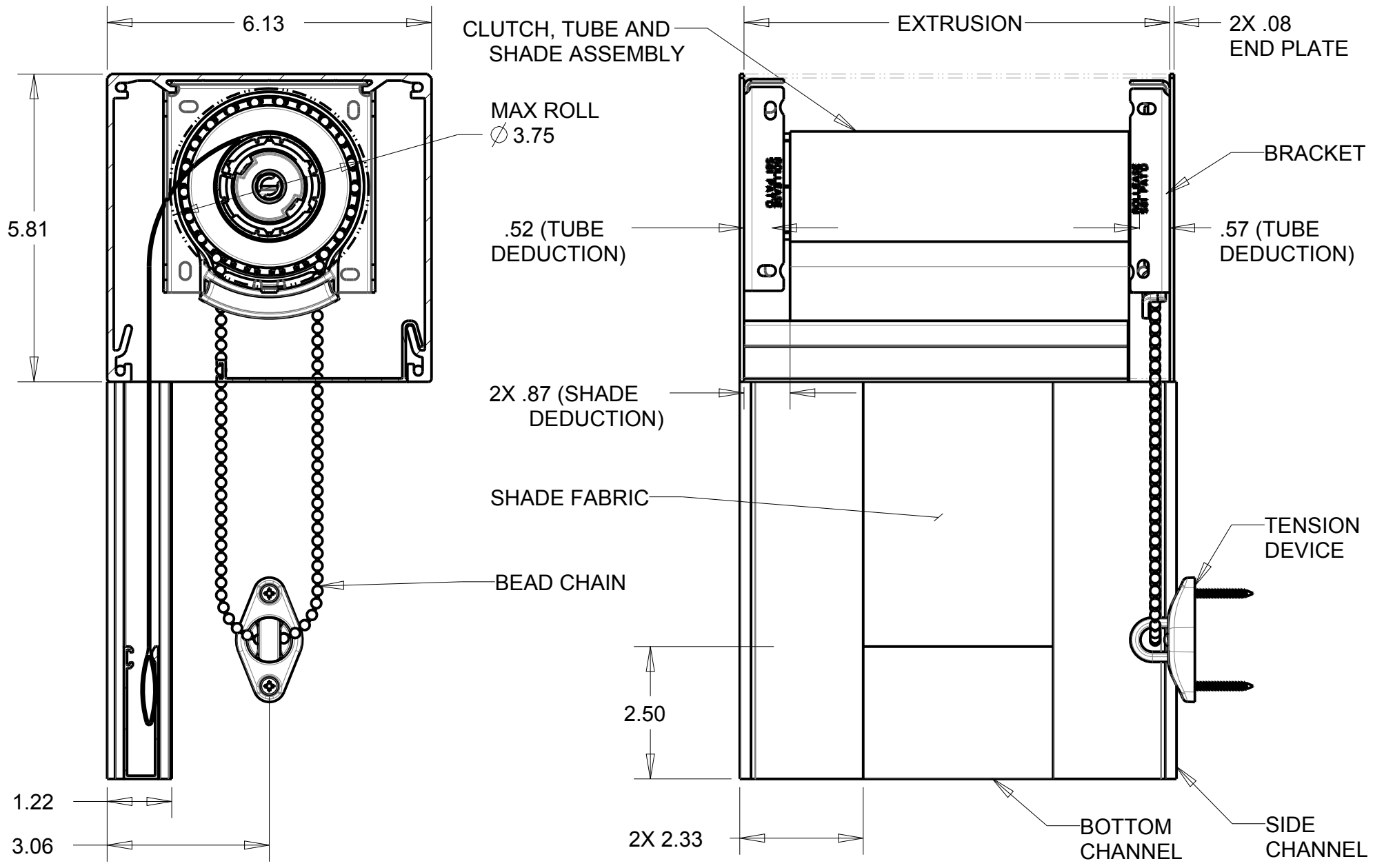
RollEase Headquarters
 200 Harvard Avenue
 Stamford, CT 06902-6320 USA
 Office: 203.964.1573/ 800.552.5100
 www.rollease.com



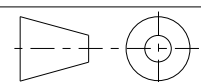
SCALE
 NOT TO SCALE. DIMENSIONS IN INCHES.

DRAWN BY
 MCC

REVISION
 1



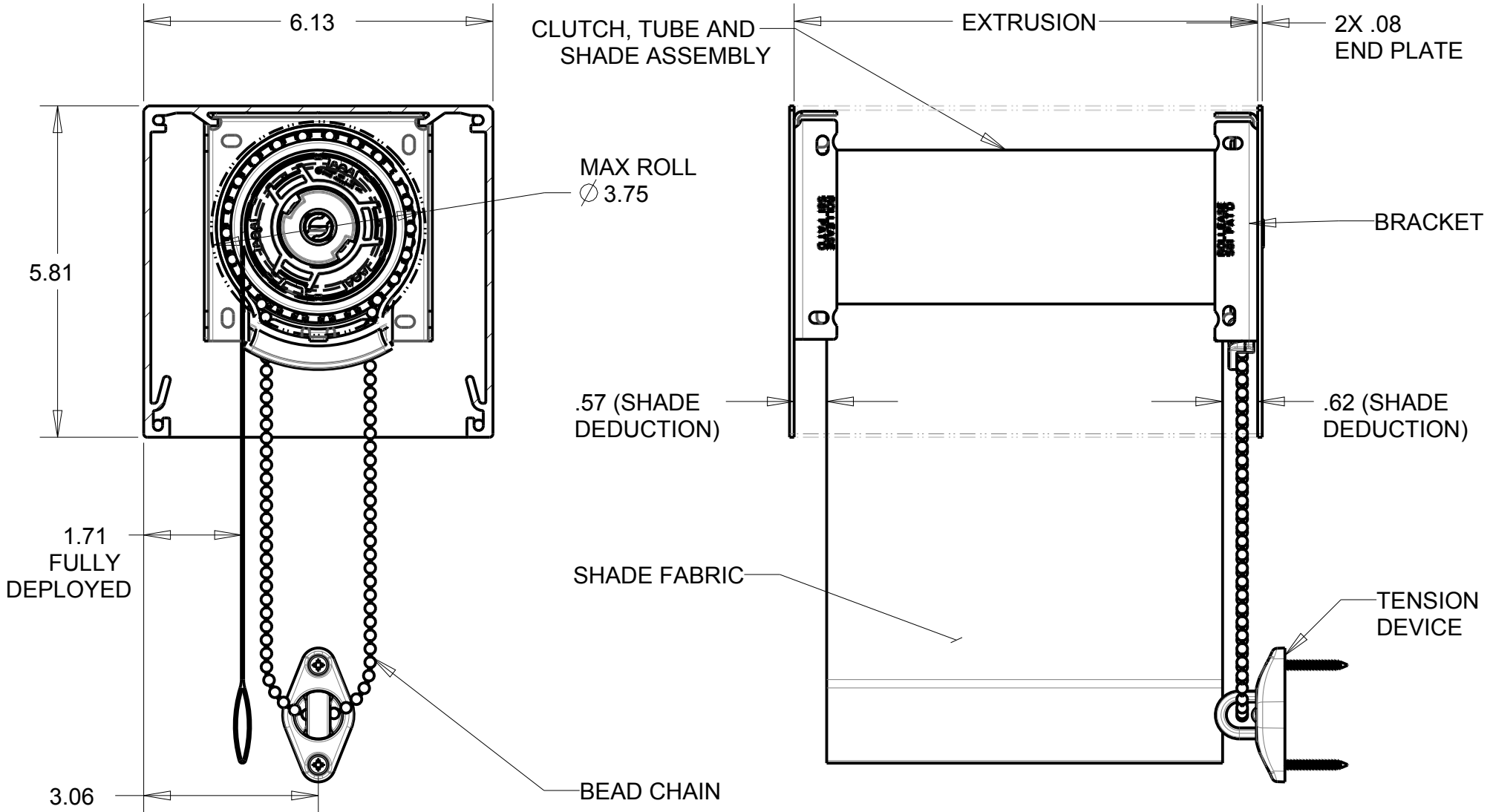
RollEase Headquarters
 200 Harvard Avenue
 Stamford, CT 06902-6320 USA
 Office: 203.964.1573/ 800.552.5100
 www.rollease.com



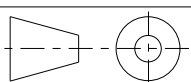
SCALE
 NOT TO SCALE. DIMENSIONS IN INCHES.

DRAWN BY
 MCC

REVISION
 1



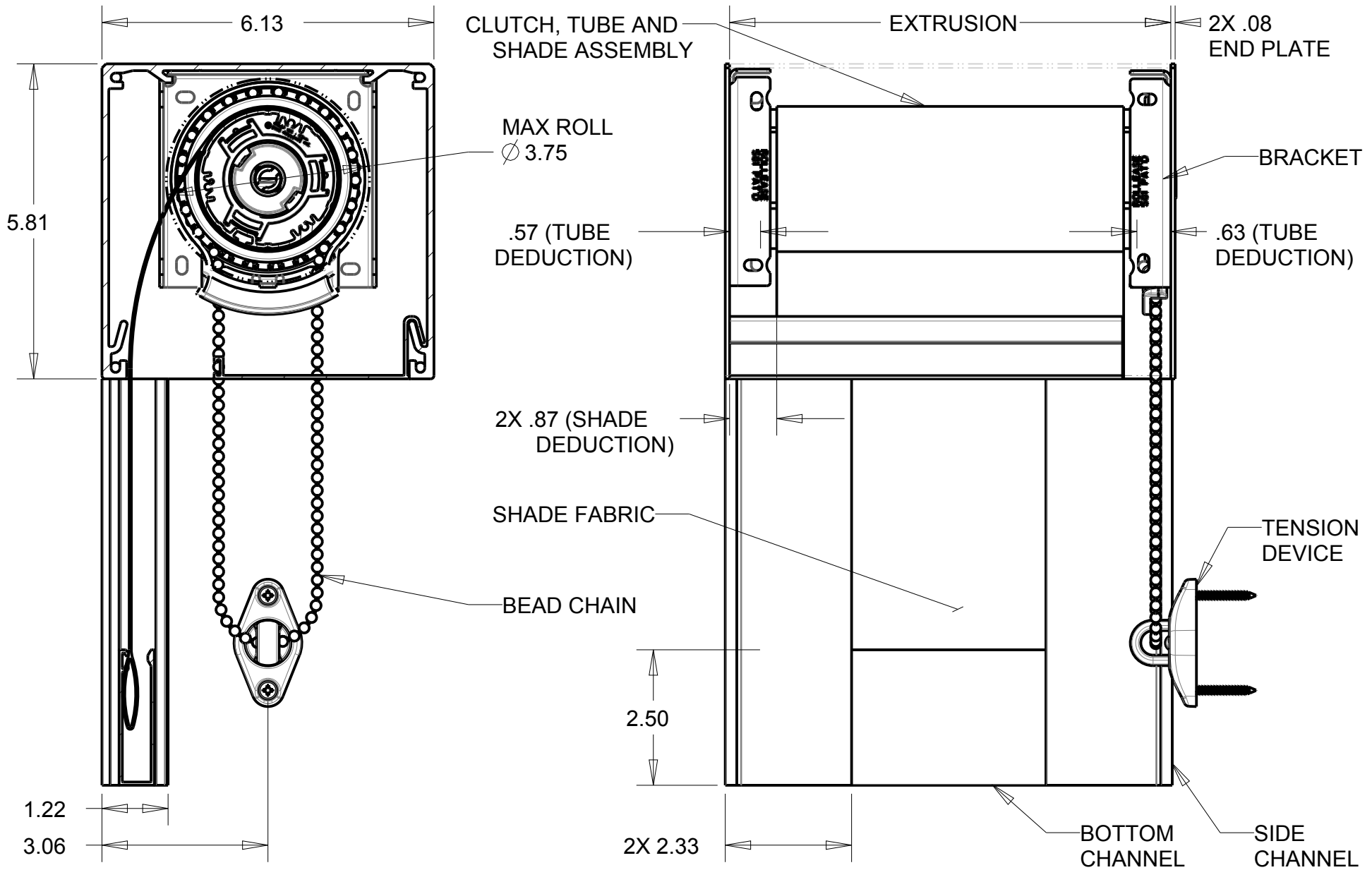
RollEase Headquarters
200 Harvard Avenue
Stamford, CT 06902-6320 USA
Office: 203.964.1573/ 800.552.5100
www.rollease.com



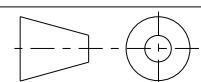
SCALE
NOT TO SCALE. DIMENSIONS IN INCHES.

DRAWN BY
MCC

REVISION
1



RollEase Headquarters
 200 Harvard Avenue
 Stamford, CT 06902-6320 USA
 Office: 203.964.1573/ 800.552.5100
 www.rollease.com



SCALE
 NOT TO SCALE. DIMENSIONS IN INCHES.

DRAWN BY
 MCC

REVISION
 1