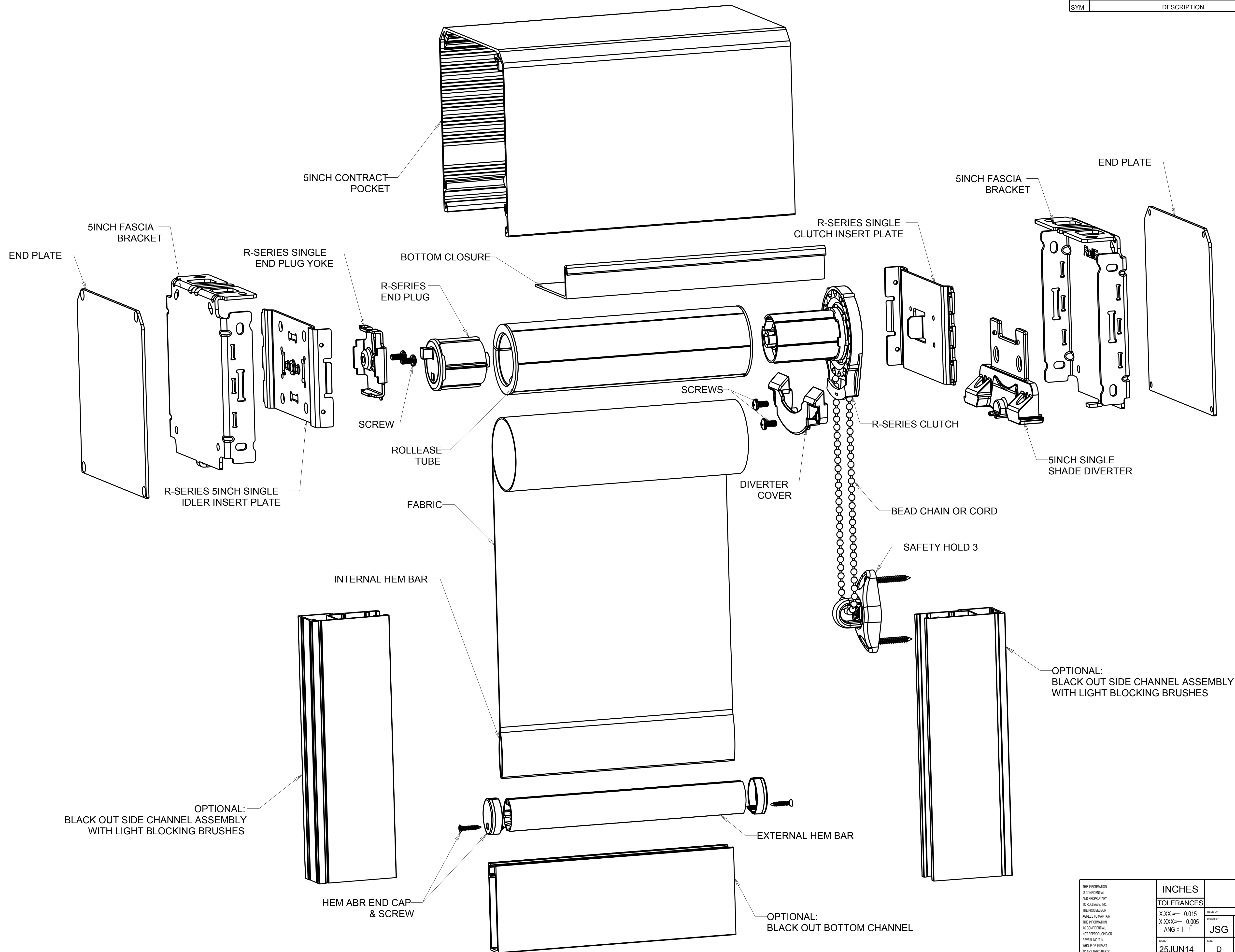
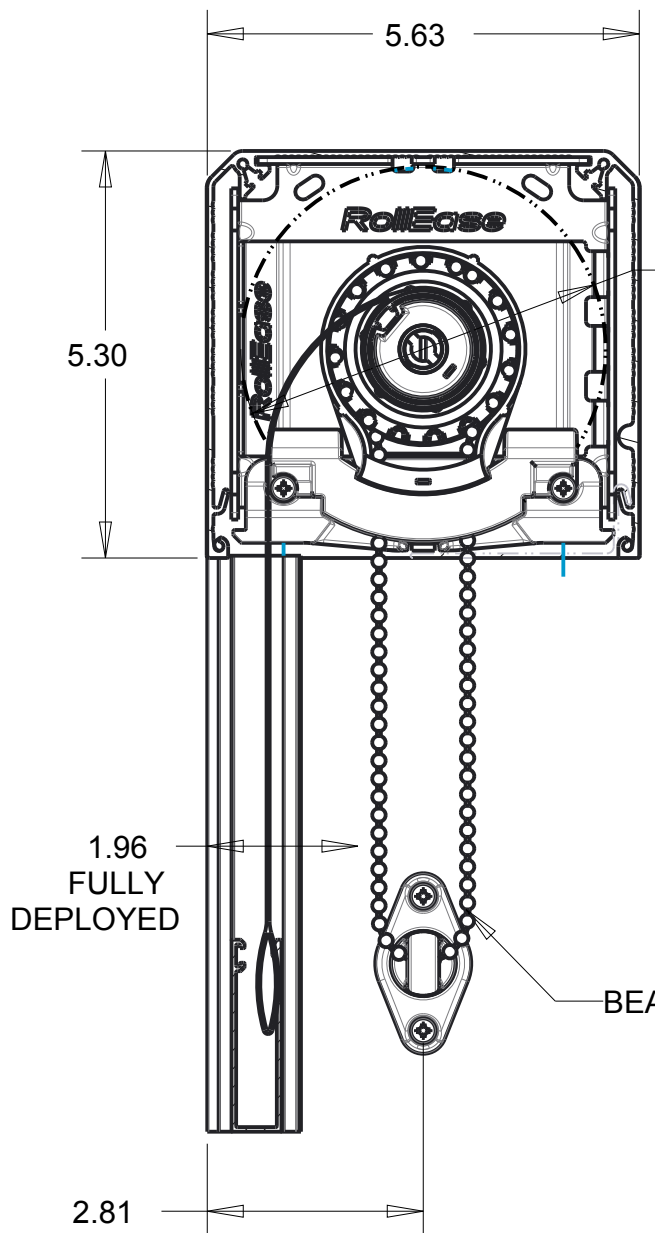


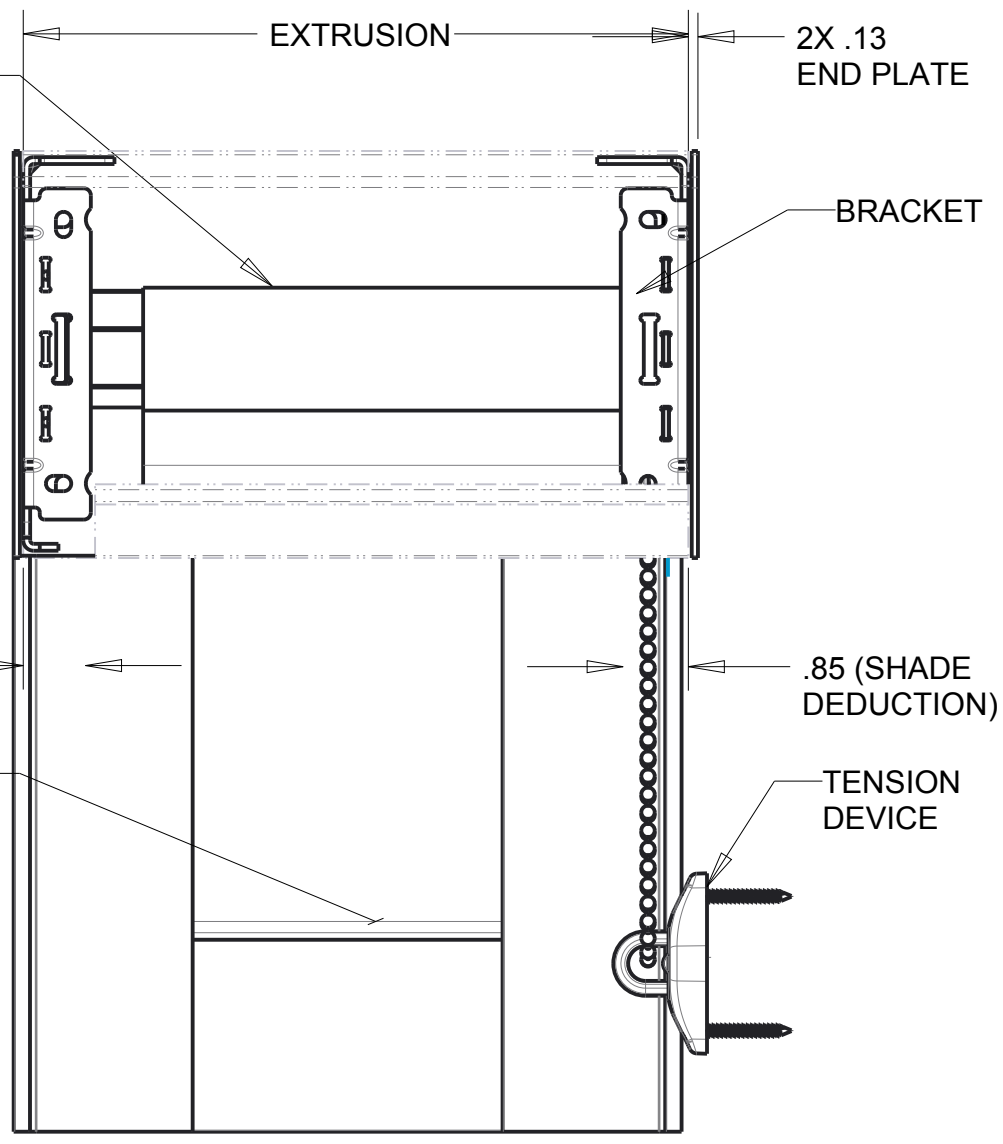
REVISION RECORD				
SYM	DESCRIPTION	BY	DATE	CHK



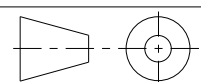
<small>THIS INFORMATION IS CONFIDENTIAL AND PROPRIETARY TO ROLLESE, INC. THE POSSESSOR AGREES TO MAINTAIN THIS INFORMATION AS CONFIDENTIAL AND PROPRIETARY AND TO REFRAIN FROM DISCLOSURE IN WHOLE OR IN PART TO ANY THIRD PARTY.</small>	<b>INCHES</b>		<b>RollEse</b>	
	TOLERANCES		Window Covering Systems	
	X.XX ± 0.015	X.XXX ± 0.005	DATE	TITLE
	ANG ± 1°		25JUN14	R-SERIES 5IN CONTRACT POCKET
DATE	DRAWN BY	SCALE	ENGINEERING/CHKING/ISSUED	REV
25JUN14	JSG	1/1	A2179	1.44



CLUTCH, TUBE AND  
SHADE ASSEMBLY



RollEase Headquarters  
200 Harvard Avenue  
Stamford, CT 06902-6320 USA  
Office: 203.964.1573/ 800.552.5100  
www.rollease.com



SCALE

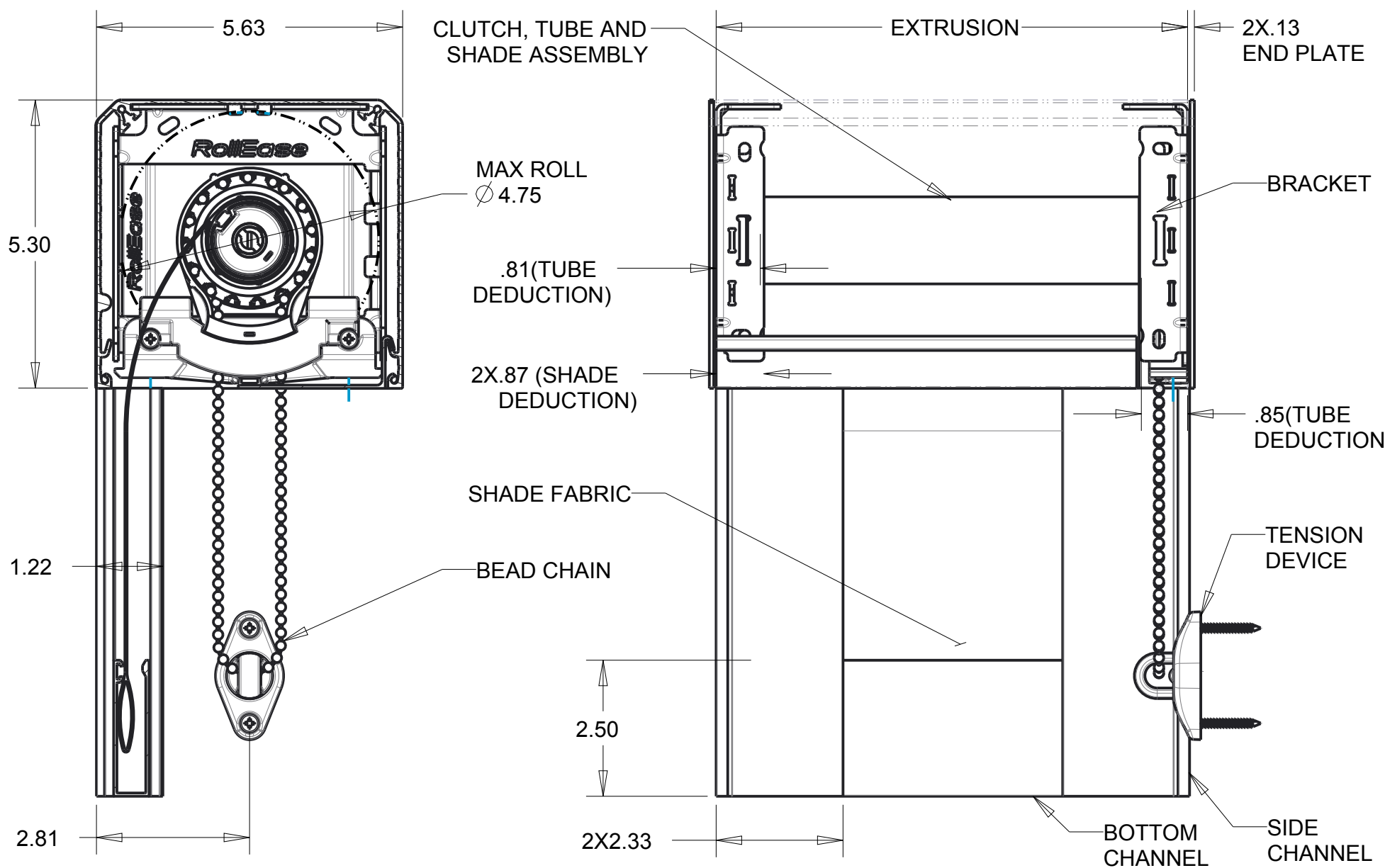
NOT TO SCALE. DIMENSIONS IN INCHES.

DRAWN BY

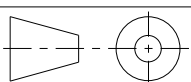
MCC

REVISION

1



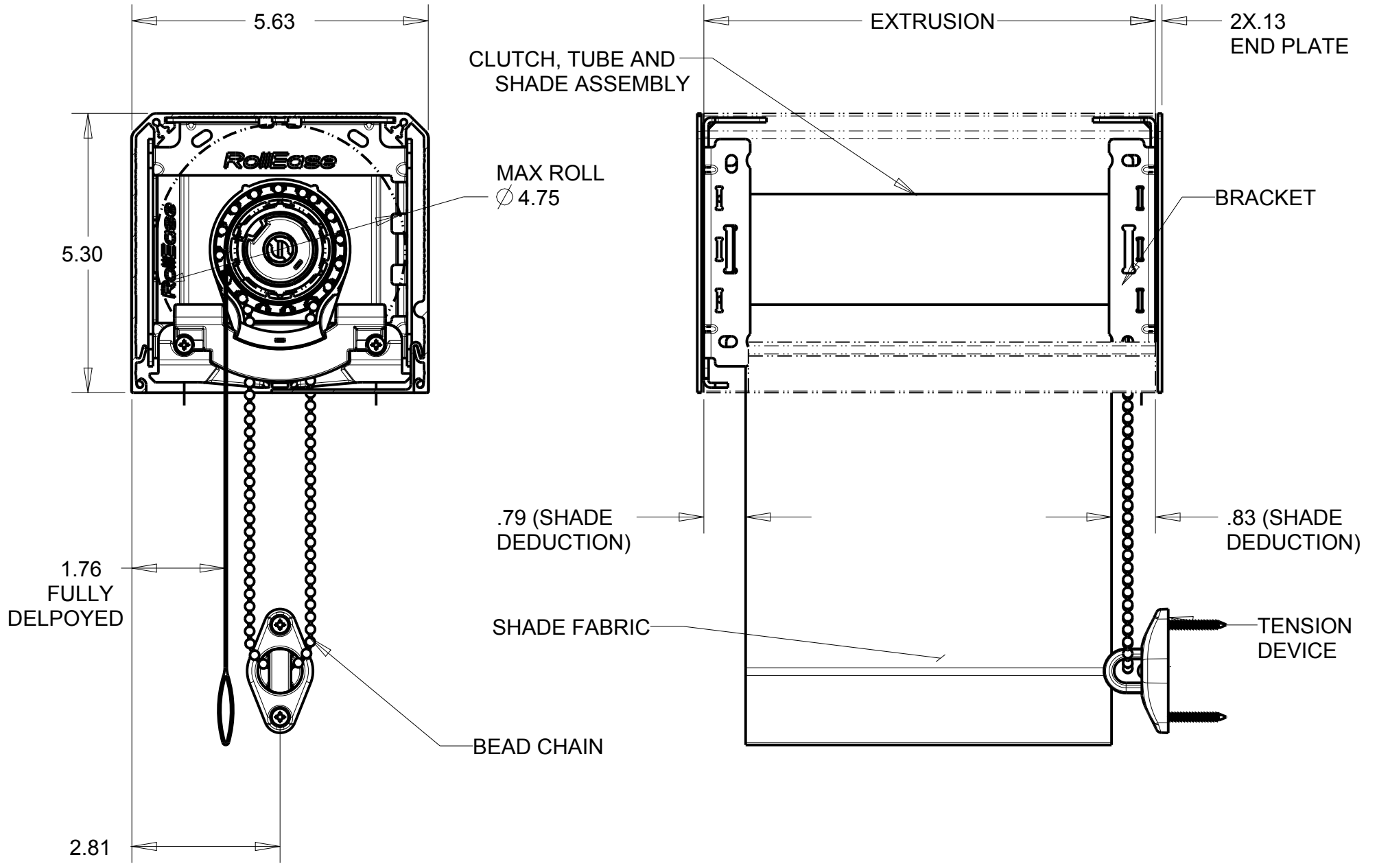
RollEase Headquarters  
 200 Harvard Avenue  
 Stamford, CT 06902-6320 USA  
 Office: 203.964.1573/ 800.552.5100  
 www.rollease.com



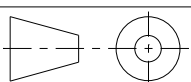
SCALE  
**NOT TO SCALE. DIMENSIONS IN INCHES.**

DRAWN BY  
**MCC**

REVISION  
**1**



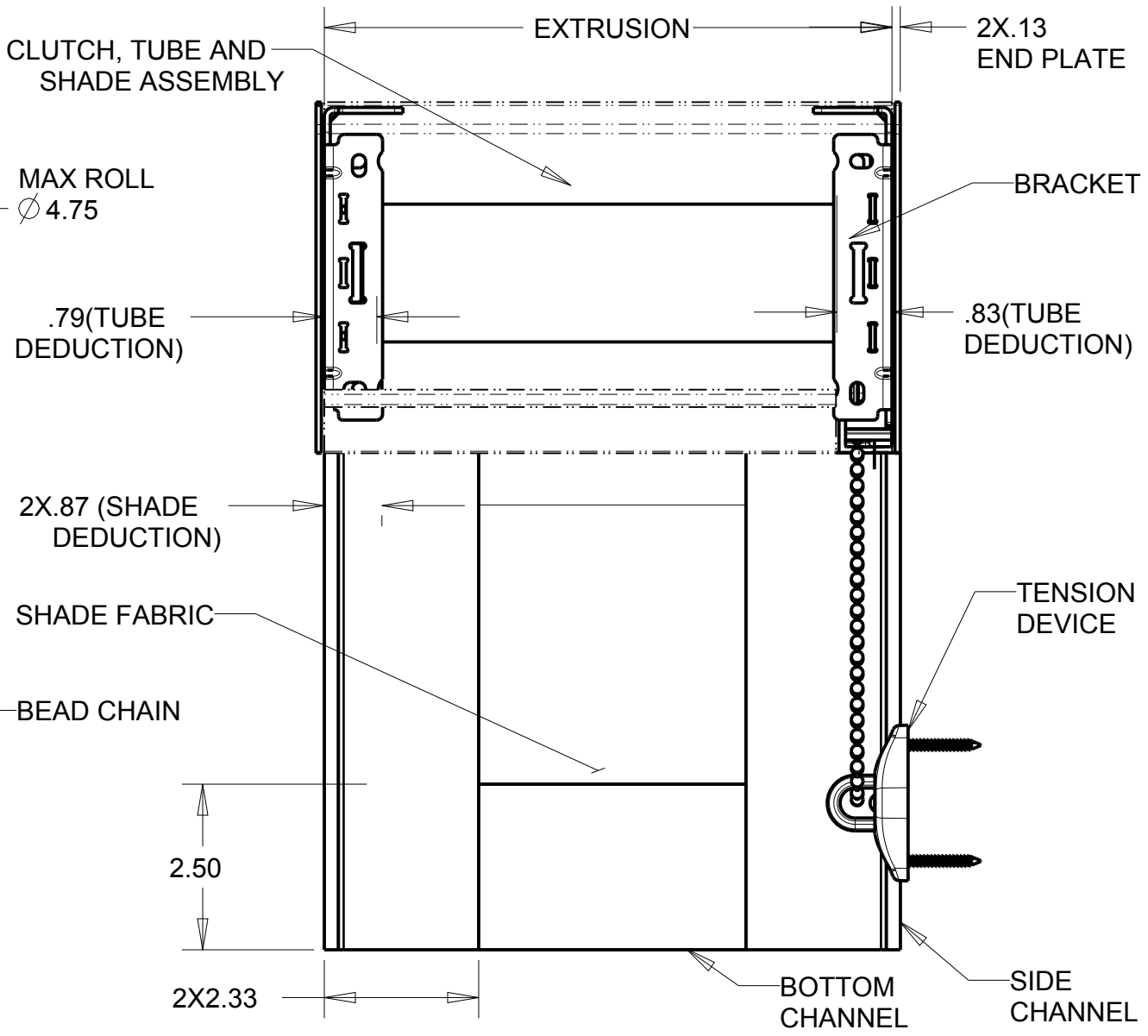
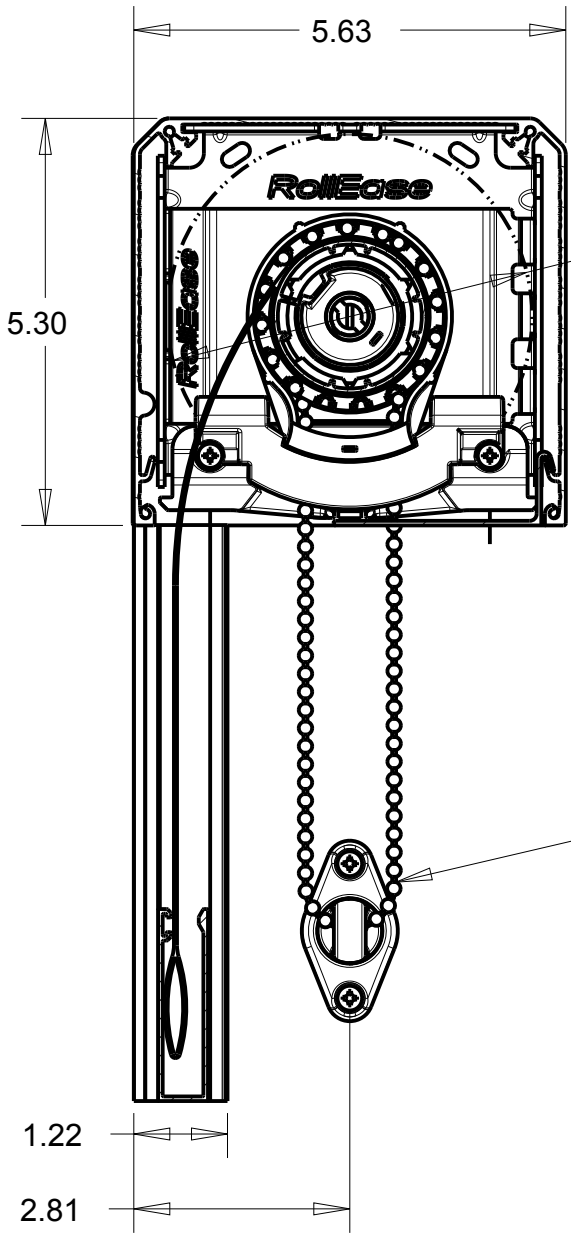
RollEase Headquarters  
 200 Harvard Avenue  
 Stamford, CT 06902-6320 USA  
 Office: 203.964.1573/ 800.552.5100  
 www.rollease.com



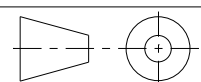
SCALE  
 NOT TO SCALE. DIMENSIONS IN INCHES.

DRAWN BY  
 MCC

REVISION  
 1



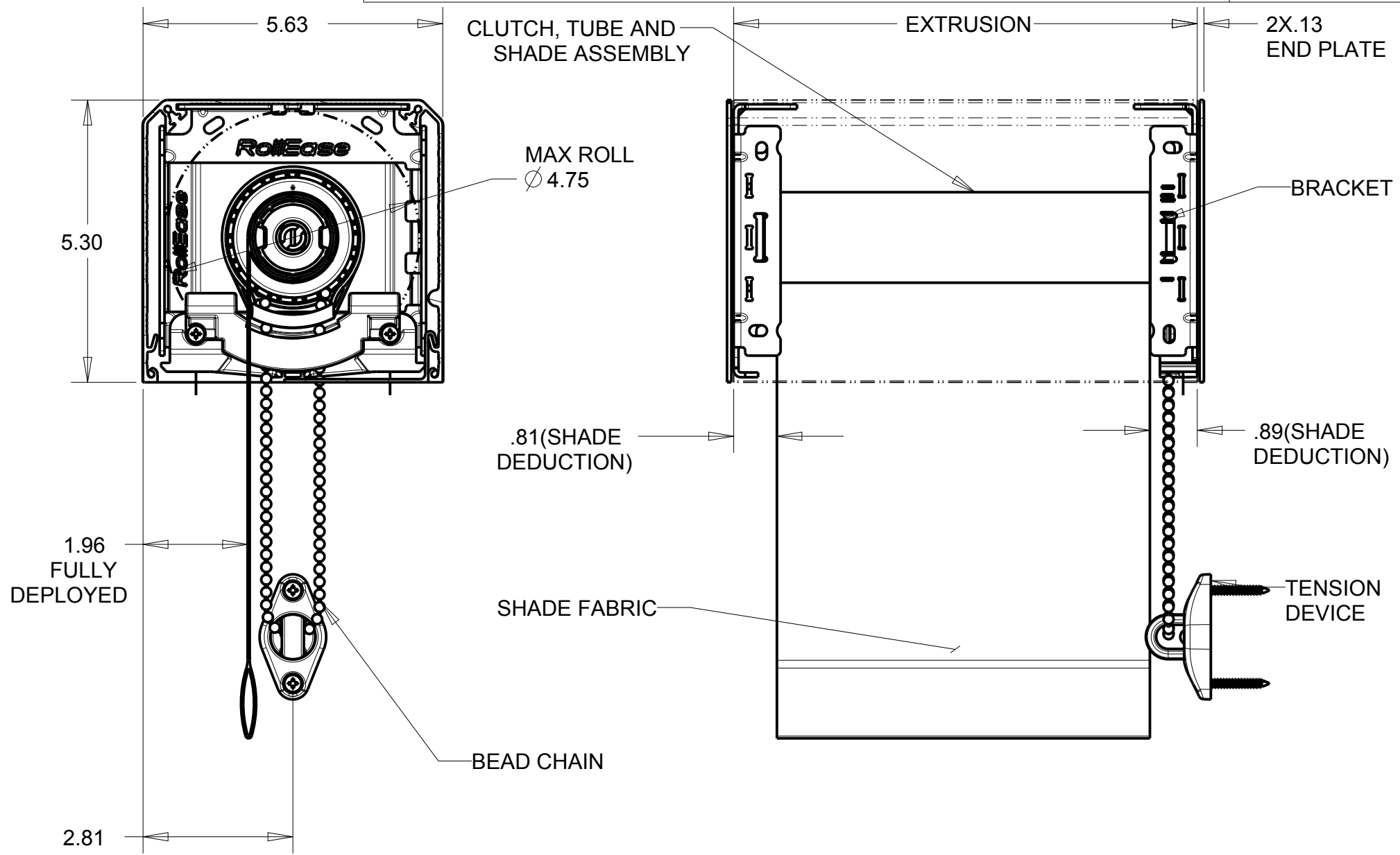
RollEase Headquarters  
 200 Harvard Avenue  
 Stamford, CT 06902-6320 USA  
 Office: 203.964.1573/ 800.552.5100  
 www.rollease.com



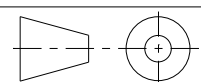
SCALE  
 NOT TO SCALE. DIMENSIONS IN INCHES.

DRAWN BY  
 MCC

REVISION  
 1



RollEase Headquarters  
200 Harvard Avenue  
Stamford, CT 06902-6320 USA  
Office: 203.964.1573/ 800.552.5100  
www.rollease.com



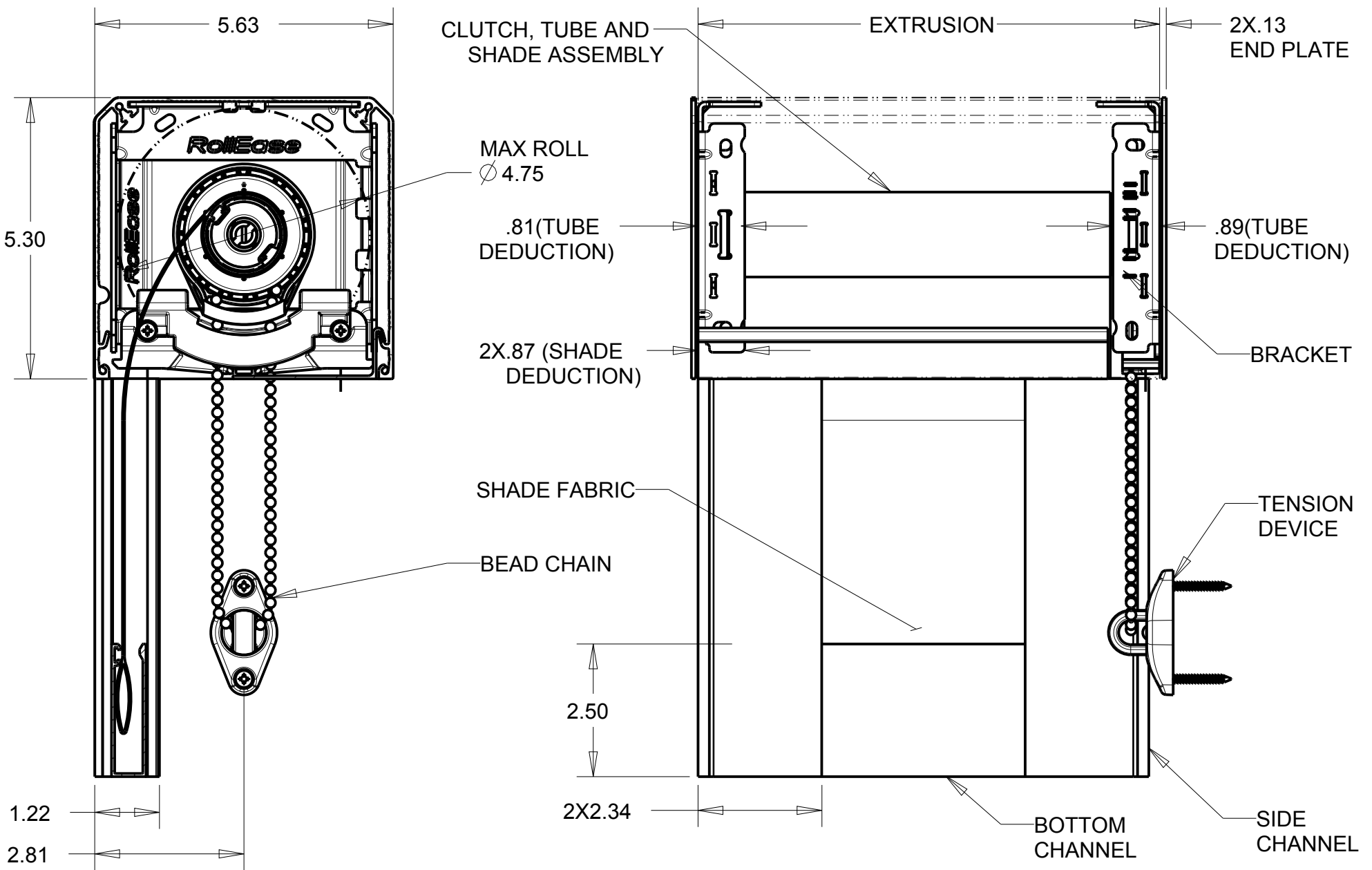
SCALE  
**NOT TO SCALE. DIMENSIONS IN INCHES.**

DRAWN BY  
MCC

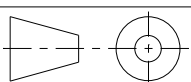
REVISION  
1

R-SERIES 5IN CONTRACT, RGAL CLUTCH, 1.50 DIA TUBE,  
RE00201/0802/0702/1302 BRACKET W/ SIDE CHANNELS

A2194



RollEase Headquarters  
200 Harvard Avenue  
Stamford, CT 06902-6320 USA  
Office: 203.964.1573/ 800.552.5100  
www.rollease.com



SCALE

NOT TO SCALE. DIMENSIONS IN INCHES.

DRAWN BY

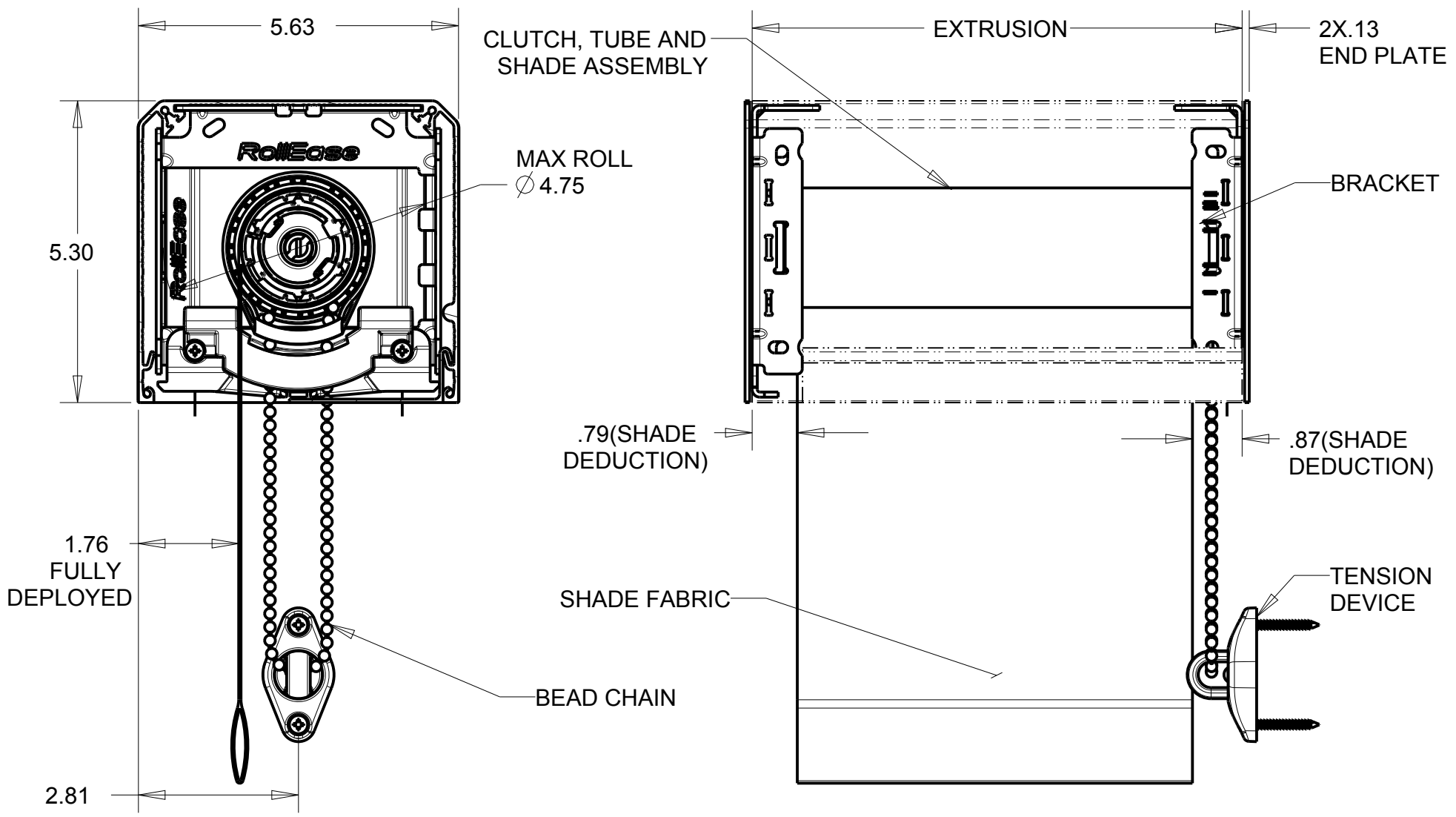
MCC

REVISION

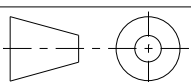
1

R-SERIES 5IN CONTRACT, RGALCLUTCH, 2.0 DIA TUBE, RA2 ADAPTER  
 RE00201/0802/0702/1302 BRACKET

A2184



RollEase Headquarters  
 200 Harvard Avenue  
 Stamford, CT 06902-6320 USA  
 Office: 203.964.1573/ 800.552.5100  
 www.rollease.com

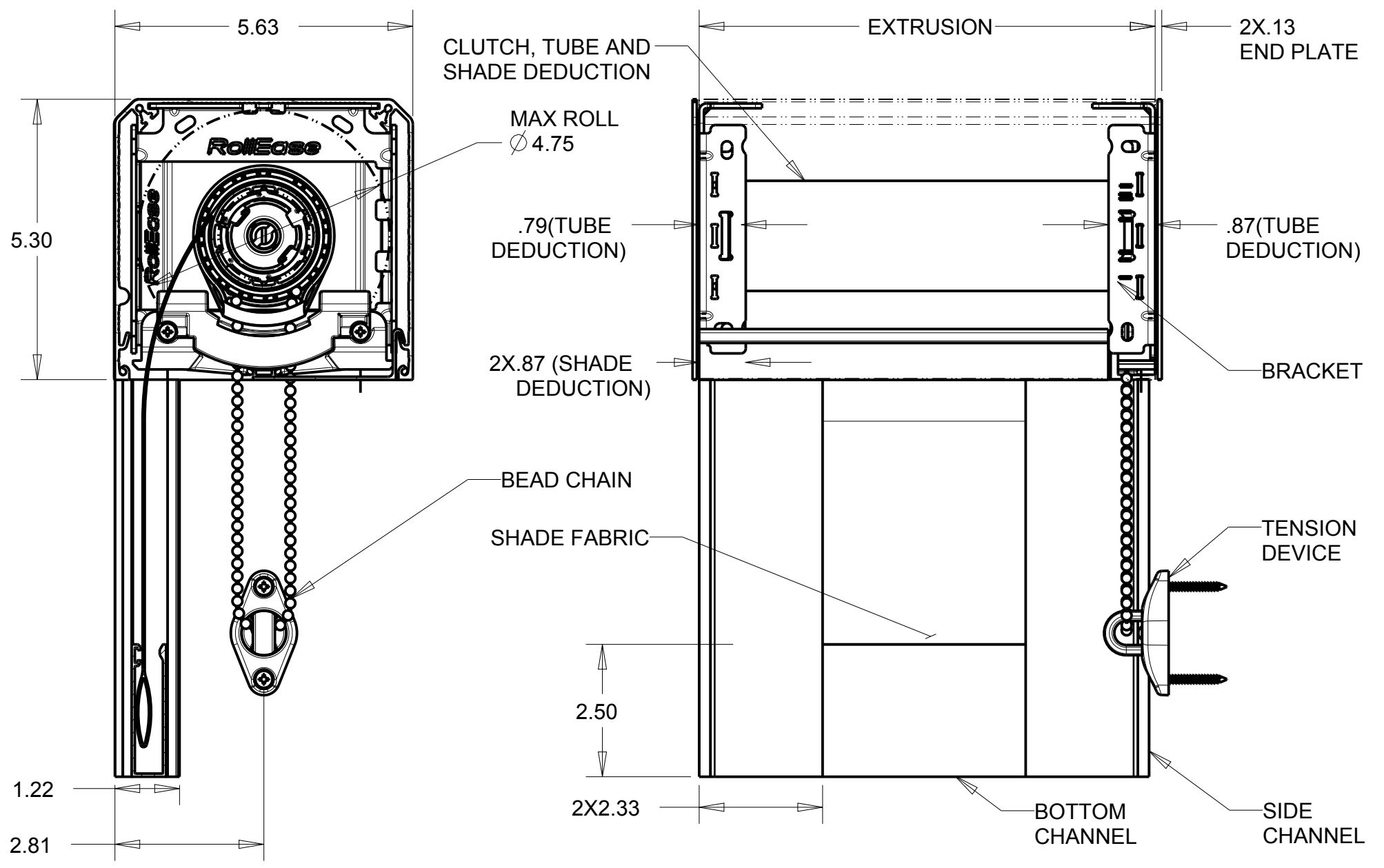


SCALE  
 NOT TO SCALE. DIMENSIONS IN INCHES.

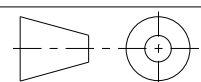
DRAWN BY  
 MCC

REVISION  
 1





RollEase Headquarters  
 200 Harvard Avenue  
 Stamford, CT 06902-6320 USA  
 Office: 203.964.1573/ 800.552.5100  
 www.rollease.com



SCALE

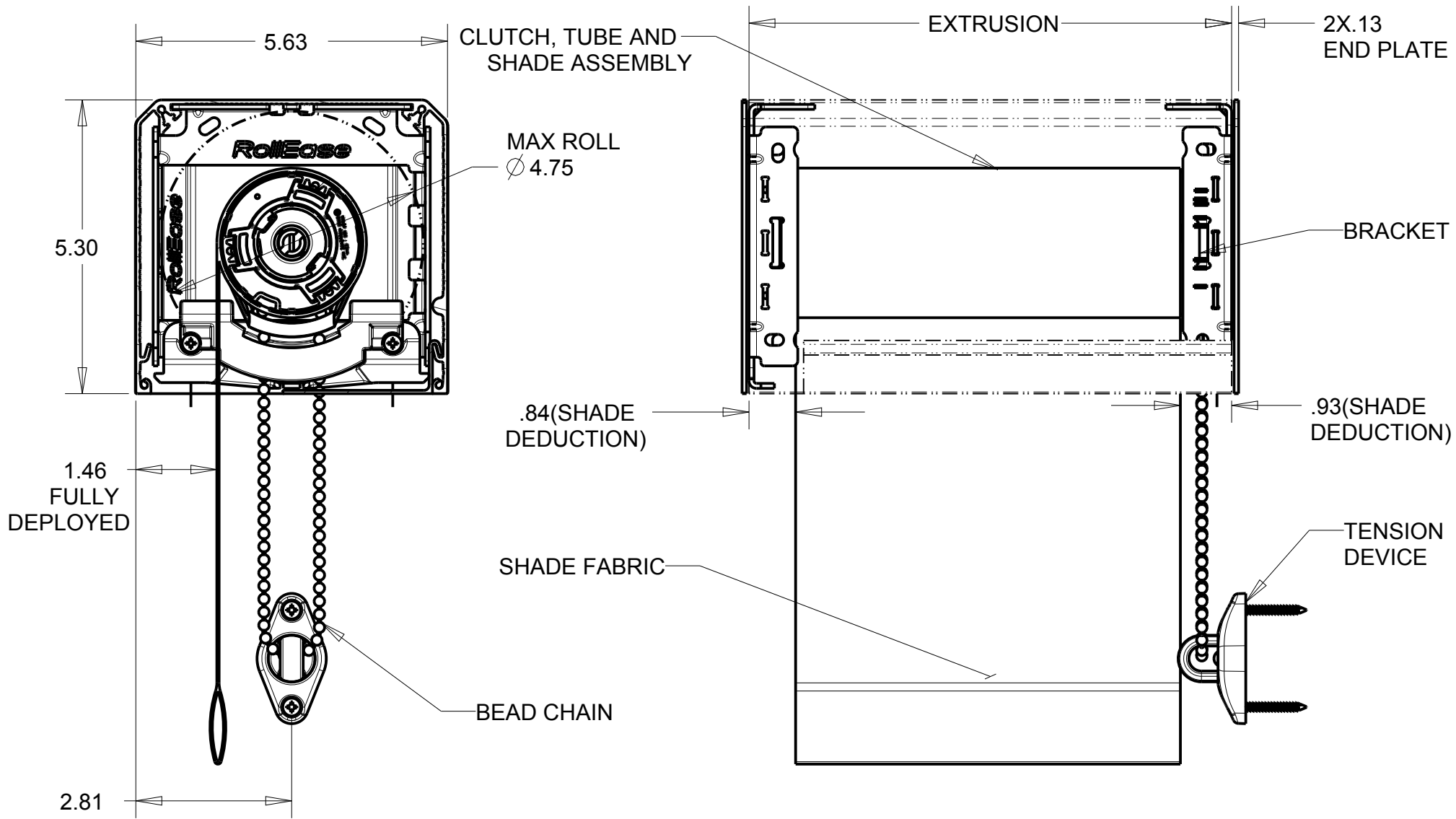
NOT TO SCALE. DIMENSIONS IN INCHES.

DRAWN BY

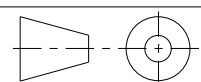
MCC

REVISION

1



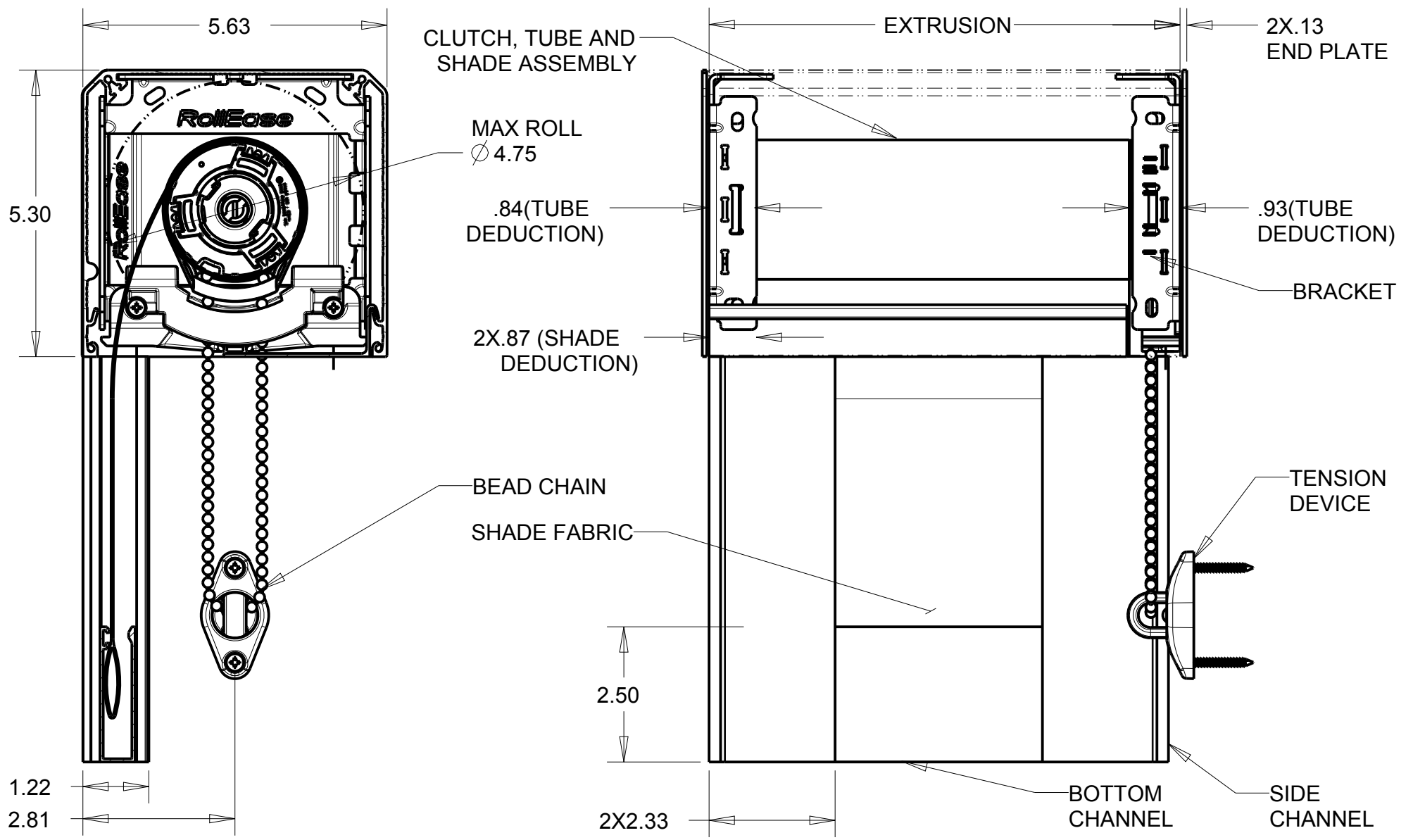
RollEase Headquarters  
 200 Harvard Avenue  
 Stamford, CT 06902-6320 USA  
 Office: 203.964.1573/ 800.552.5100  
 www.rollease.com



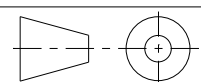
SCALE  
 NOT TO SCALE. DIMENSIONS IN INCHES.

DRAWN BY  
 MCC

REVISION  
 1



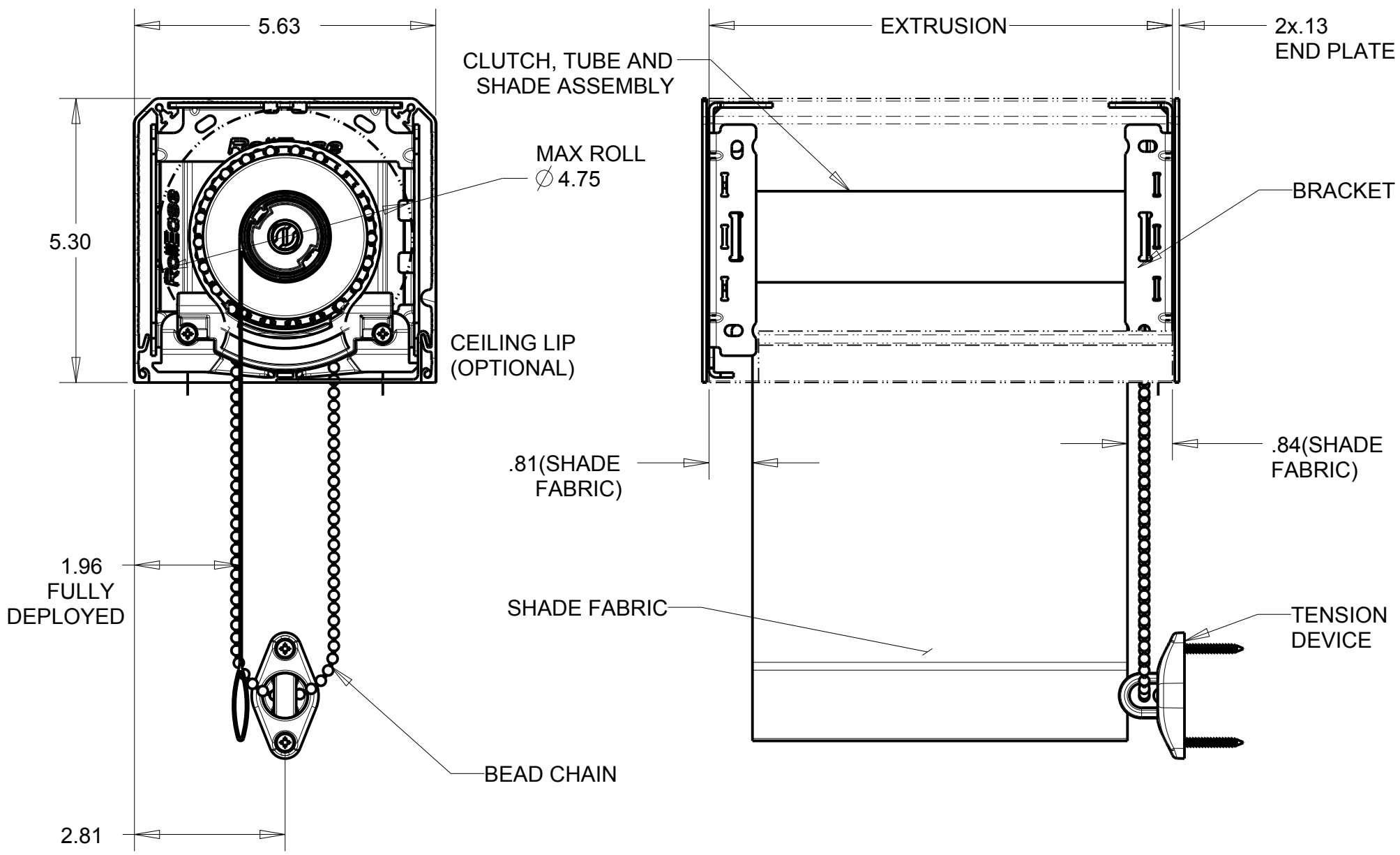
RollEase Headquarters  
 200 Harvard Avenue  
 Stamford, CT 06902-6320 USA  
 Office: 203.964.1573/ 800.552.5100  
 www.rollease.com



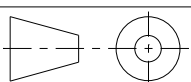
SCALE  
 NOT TO SCALE. DIMENSIONS IN INCHES.

DRAWN BY  
 MCC

REVISION  
 1



RollEase Headquarters  
 200 Harvard Avenue  
 Stamford, CT 06902-6320 USA  
 Office: 203.964.1573/ 800.552.5100  
 www.rollease.com



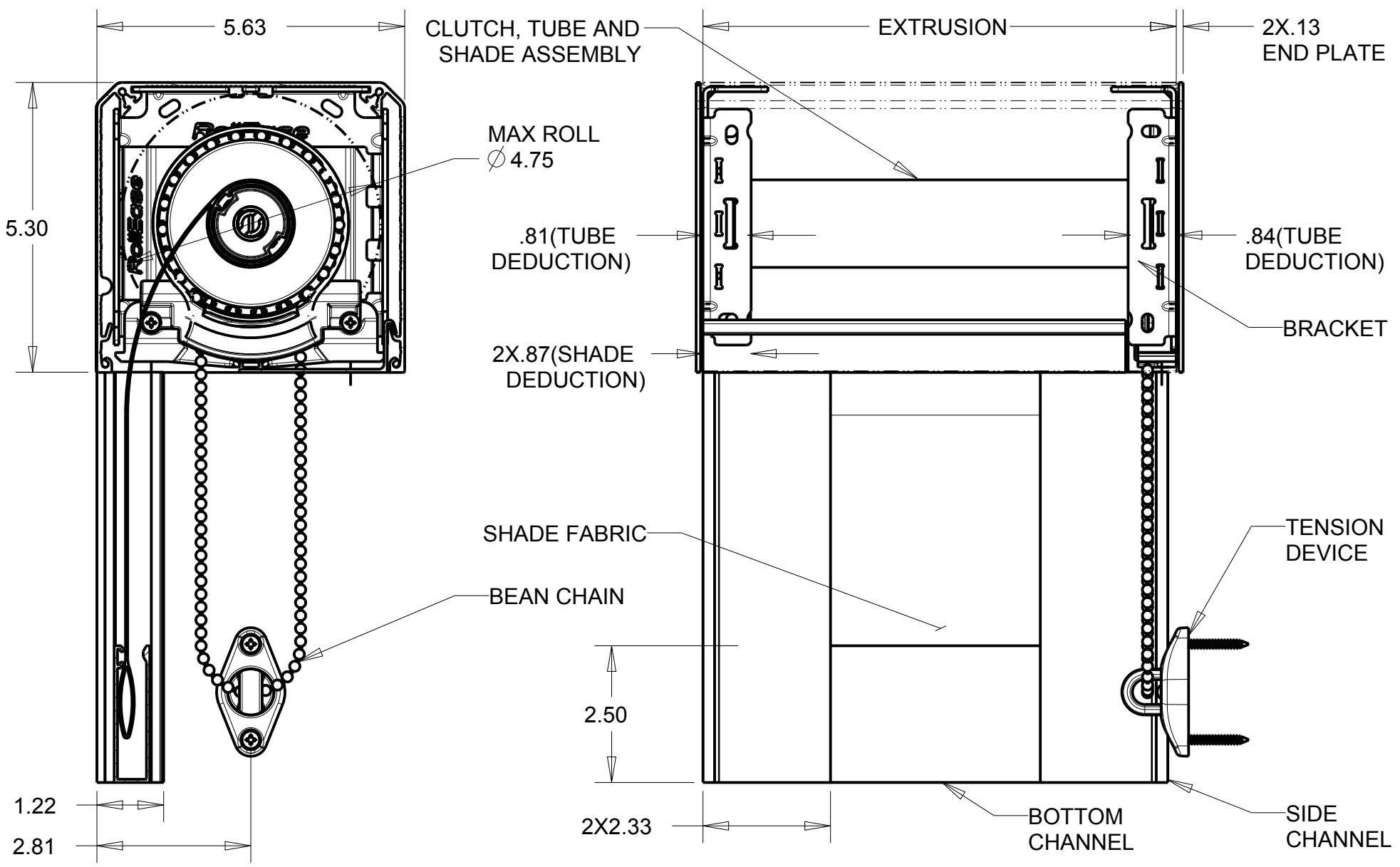
SCALE  
 NOT TO SCALE. DIMENSIONS IN INCHES.

DRAWN BY  
 MCC

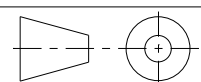
REVISION  
 1

R-SERIES 5IN CONTRACT, RGAL400C CLUTCH, 1.50 DIA TUBE  
 RE00201/0802/0702/1302 BRACKET W/ SIDE CHANNELS

A2197



RollEase Headquarters  
 200 Harvard Avenue  
 Stamford, CT 06902-6320 USA  
 Office: 203.964.1573/ 800.552.5100  
 www.rollease.com



SCALE

NOT TO SCALE. DIMENSIONS IN INCHES.

DRAWN BY

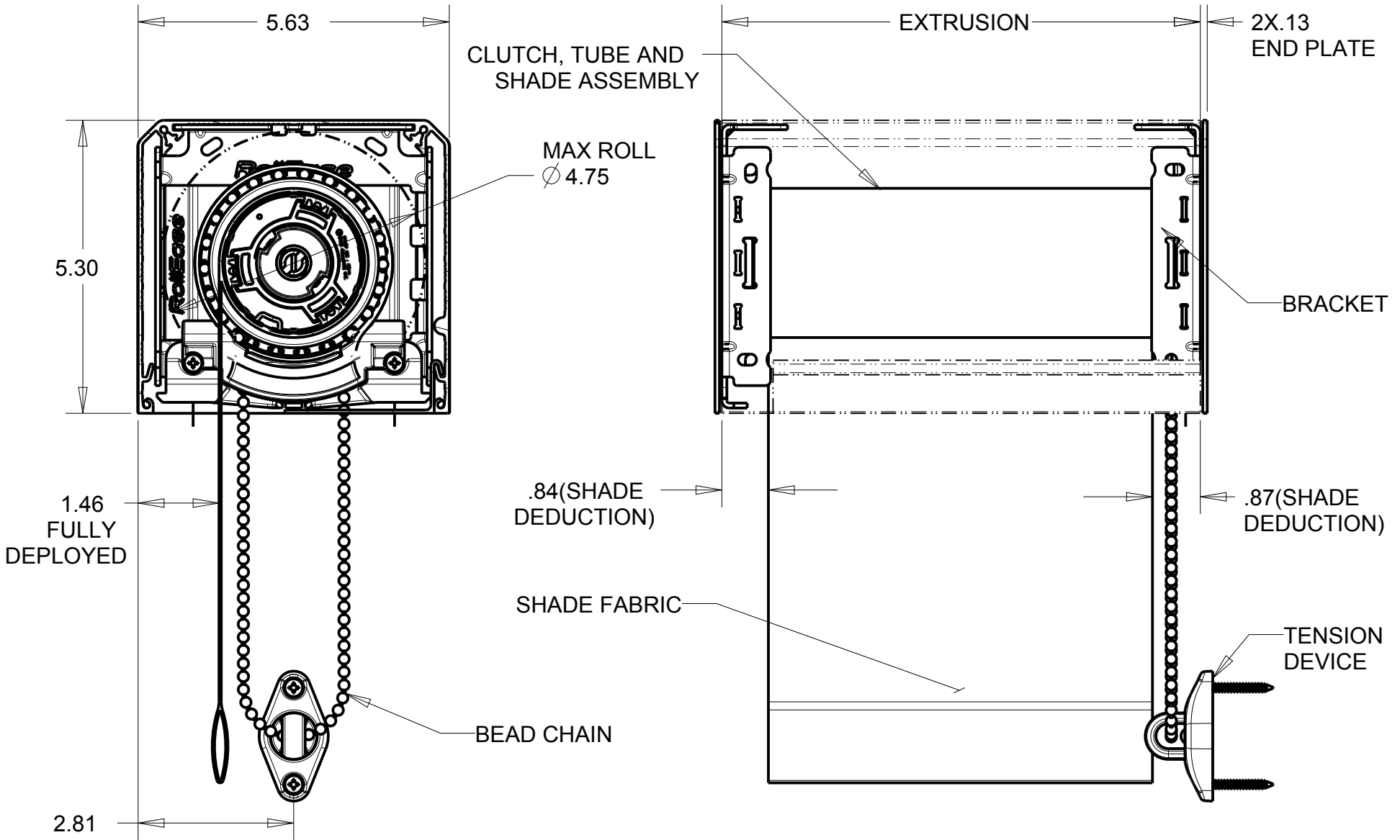
MCC

REVISION

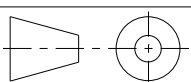
1

R-SERIES 5IN CONTRACT, RGAL400C CLUTCH, 2.50 DIA TUBE,  
RA25 ADAPTER RE002201/0202 BRACKET

A2188



RollEase Headquarters  
200 Harvard Avenue  
Stamford, CT 06902-6320 USA  
Office: 203.964.1573/ 800.552.5100  
www.rollease.com



SCALE

NOT TO SCALE. DIMENSIONS IN INCHES.

DRAWN BY

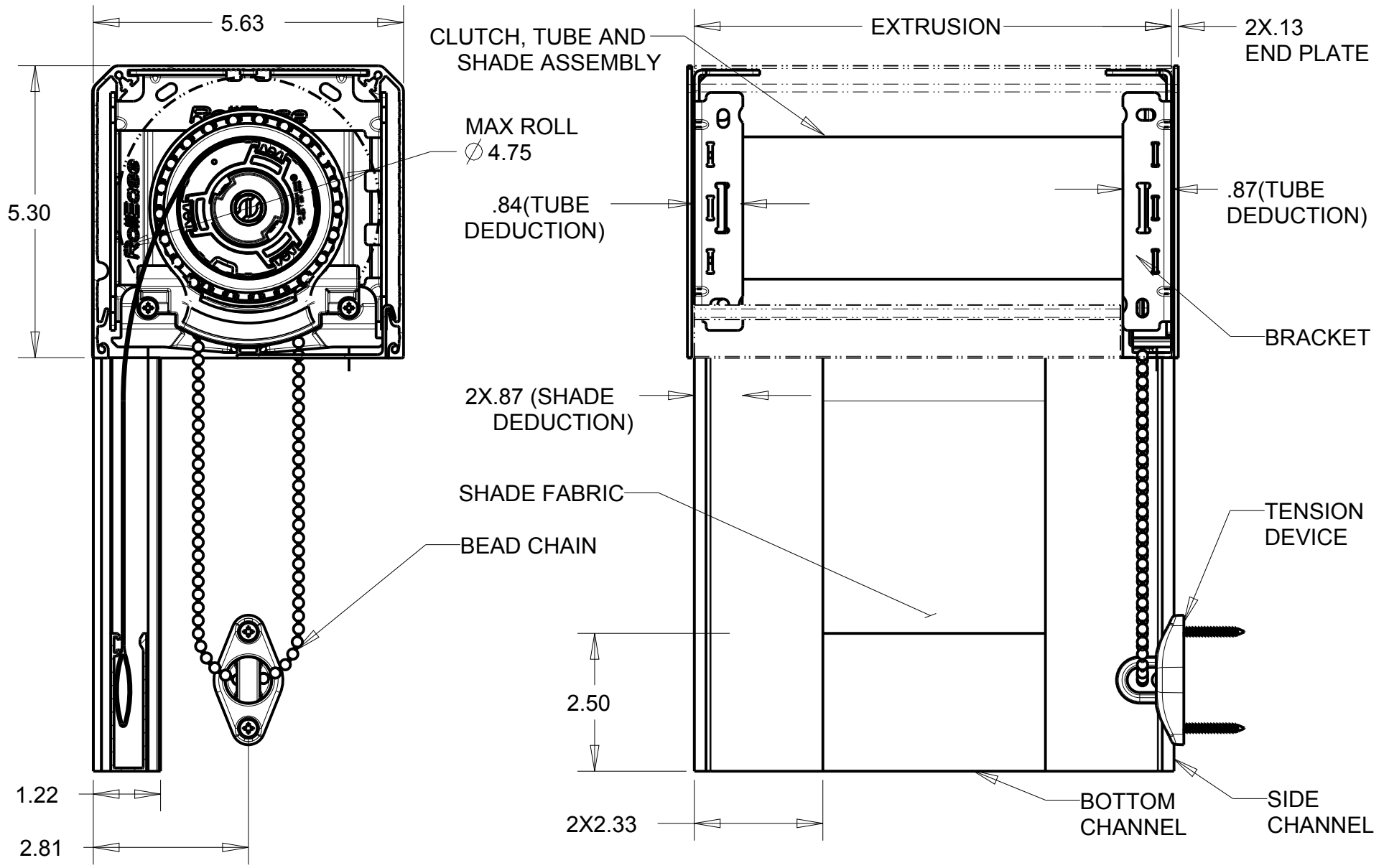
MCC

REVISION

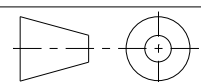
1

R-SERIES 5IN CONTRACT, RGAL400C CLUTCH, 2.5 DIA TUBE,  
RA25 ADAPTER, RE00201/0802/0702/1302 BRACKET W/ SIDE CHANNELS

A2199



RollEase Headquarters  
200 Harvard Avenue  
Stamford, CT 06902-6320 USA  
Office: 203.964.1573/ 800.552.5100  
www.rollease.com

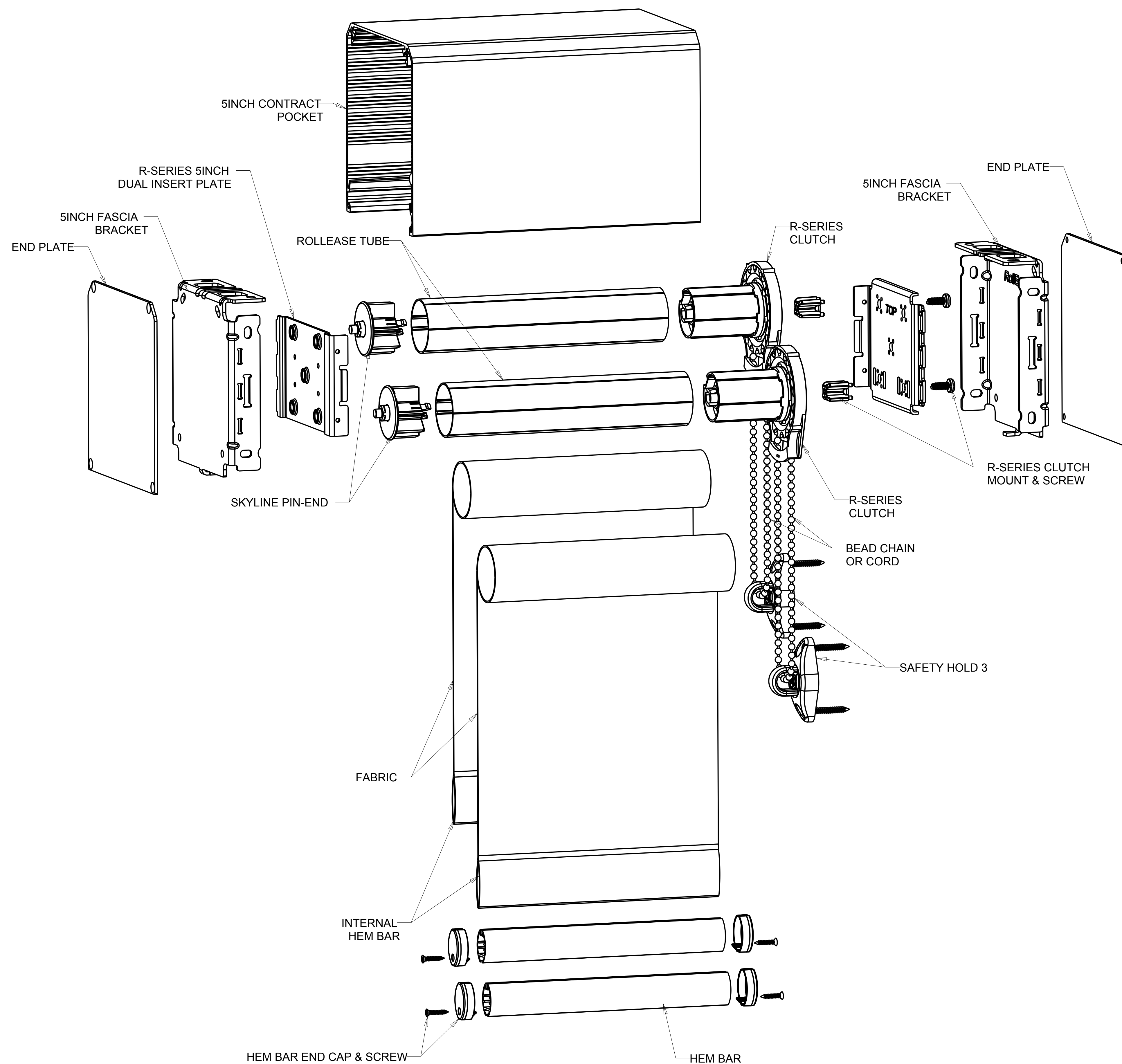


SCALE  
**NOT TO SCALE. DIMENSIONS IN INCHES.**

DRAWN BY  
MCC

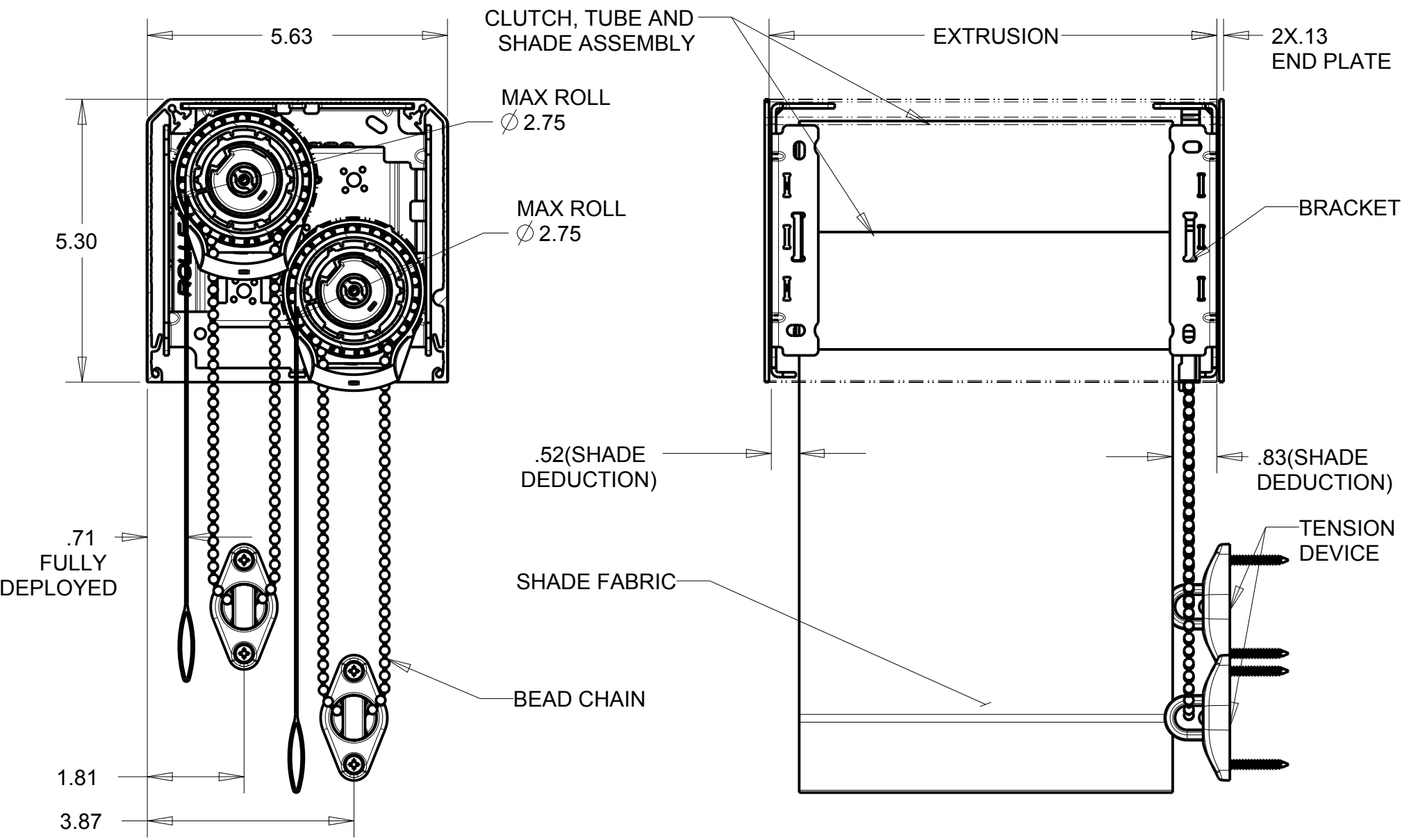
REVISION  
1

REVISION RECORD				
SYM	DESCRIPTION	BY	DATE	CHK

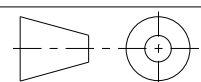


<small>THIS INFORMATION IS CONFIDENTIAL AND PROPRIETARY TO ROLLEASE, INC. THE POSSESSOR AGREES TO MAINTAIN THIS INFORMATION AS CONFIDENTIAL, NOT REPRODUCE OR DISSEMINATE IN WHOLE OR IN PART TO ANY THIRD PARTY.</small>	INCHES		<b>RollEase</b> Window Covering Systems	
	TOLERANCES		<small>DESIGNED BY</small> <b>JSG</b>	<small>TITLE</small> <b>R-SERIES 5INCH DUAL CONTRACT POCKET</b>
	<small>XXX ± 0.015</small> <small>XXXX ± 0.005</small> <small>ANG ± f</small>	<small>DATE</small> <b>24JUN14</b>	<small>SCALE</small> <b>D 1/1</b>	<small>SOLD TO</small> <b>A2200</b>
	<small>REV</small> <b>1</b>	<small>REV</small> <b>1</b>	<small>REV</small> <b>1</b>	<small>REV</small> <b>1</b>





RollEase Headquarters  
200 Harvard Avenue  
Stamford, CT 06902-6320 USA  
Office: 203.964.1573/ 800.552.5100  
www.rollease.com



SCALE  
**NOT TO SCALE. DIMENSIONS IN INCHES.**

DRAWN BY  
MCC

REVISION  
1