





PRODUCT CHANGE | AUTOMATE – PARADIGM ARC REMOTES

	DISCONTINUED PRODUCT		REPLACEMENT PRODUCT		CHANGES MADE		
	YES	NO	YES	NO	YES	NO	
DESCRIPTION.	AUTOMATE Paradigm 1CH ARC Remote	AUTOMATE Paradigm 15CH ARC Remote	AUTOMATE Paradigm 1CH ARC Remote	AUTOMATE Paradigm 15CH ARC Remote	<input type="checkbox"/>	<input checked="" type="checkbox"/>	
CODE.	MTRF-REM-1C	MTRF-REM-15	MTRF-REM-1C	MTRF-REM-15	<input type="checkbox"/>	<input checked="" type="checkbox"/>	
PACK SIZE.	1 100 UOM	1 100 UOM	1 100 UOM	1 100 UOM	<input type="checkbox"/>	<input checked="" type="checkbox"/>	
PRICE.	Refer to relevant leaflet				<input type="checkbox"/>	<input checked="" type="checkbox"/>	
COLOUR / FINISH.	White				<input type="checkbox"/>	<input checked="" type="checkbox"/>	
IMAGE.					<input checked="" type="checkbox"/>	<input type="checkbox"/>	
USE WITH.	Automate ARC Motors				<input type="checkbox"/>	<input checked="" type="checkbox"/>	
TRANSITIONING.	~ May 2016 (after on hand stock flushes) (Date codes after 2017-02-01)						

IMPROVEMENTS / CHANGES

PRODUCTION / INSTALLATION IMPROVEMENTS

- Updated fitment tabs on the Wall Mounting Clip Cover and Battery Cover create a more robust snap fit (Fig. 1, Assembly Options)
- An arrow has been added to the Wall Mounting Clip that indicates the correct orientation during installation (Fig. 2)
- Installation has been simplified with the addition of adhesive tape to keep the magnets in contact with Wall Mounting Clip (Fig. 3)
- A bottom lip has been added to aid in locating the remote on the wall clip when returning it to the stored position.

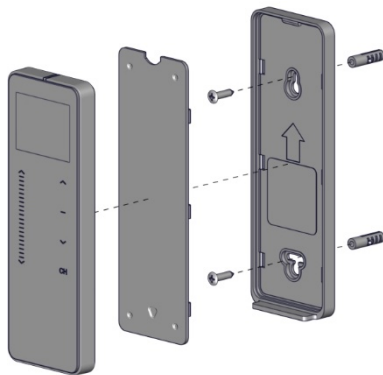


Fig. 1

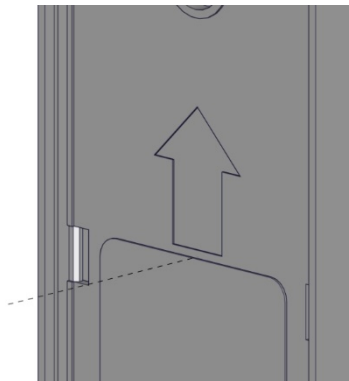


Fig. 2

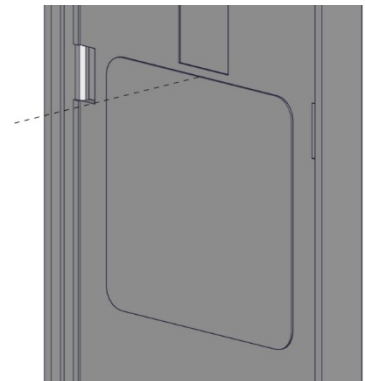


Fig. 3

CHANGES MADE	
YES	NO
<input checked="" type="checkbox"/>	<input type="checkbox"/>

PRODUCT CHANGE | AUTOMATE – PARADIGM ARC REMOTES

FUNCTIONAL IMPROVEMENTS / CHANGES

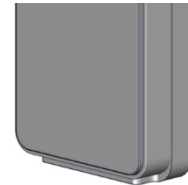
- The updated tab on bottom of the Wall Mounting Clip helps to support the Remote while it is not in use



Original



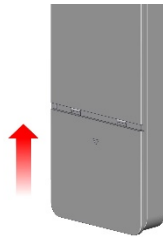
New Tab



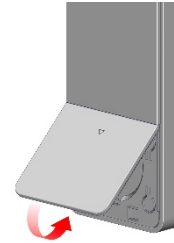
Supports Remote

- The improved tabs on the Battery Cover and the Remote allow for two assembly options

Assembly Option 1:



Assembly Option 2:



CHANGES MADE

YES

NO

