



ADVANCED MOTORIZATION TECHNOLOGY

AUTOMATE™

rolleaseacmeda.com



**ROLLEASE
ACMEDA**
PRECISION IN MOTION

INNOVATION & DESIGN TO MAXIMIZE COMFORT

Rollease Acmeda is committed to innovation and development that benefit consumers in meaningful ways.

Our Innovation & Design Centre in Melbourne, AU leverages the knowledge and experience of over 20 engineers, designers, technicians and product managers to conceptualize, develop and test new technologies and designs.

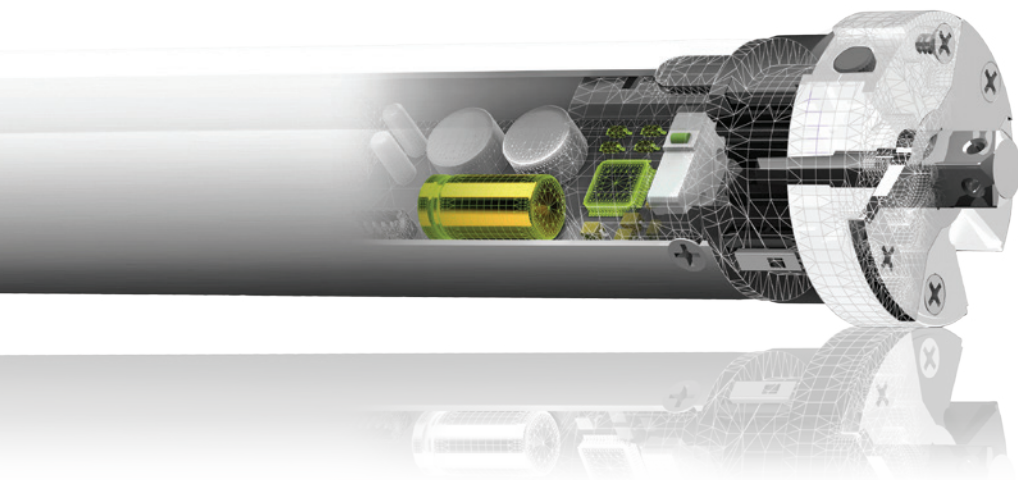
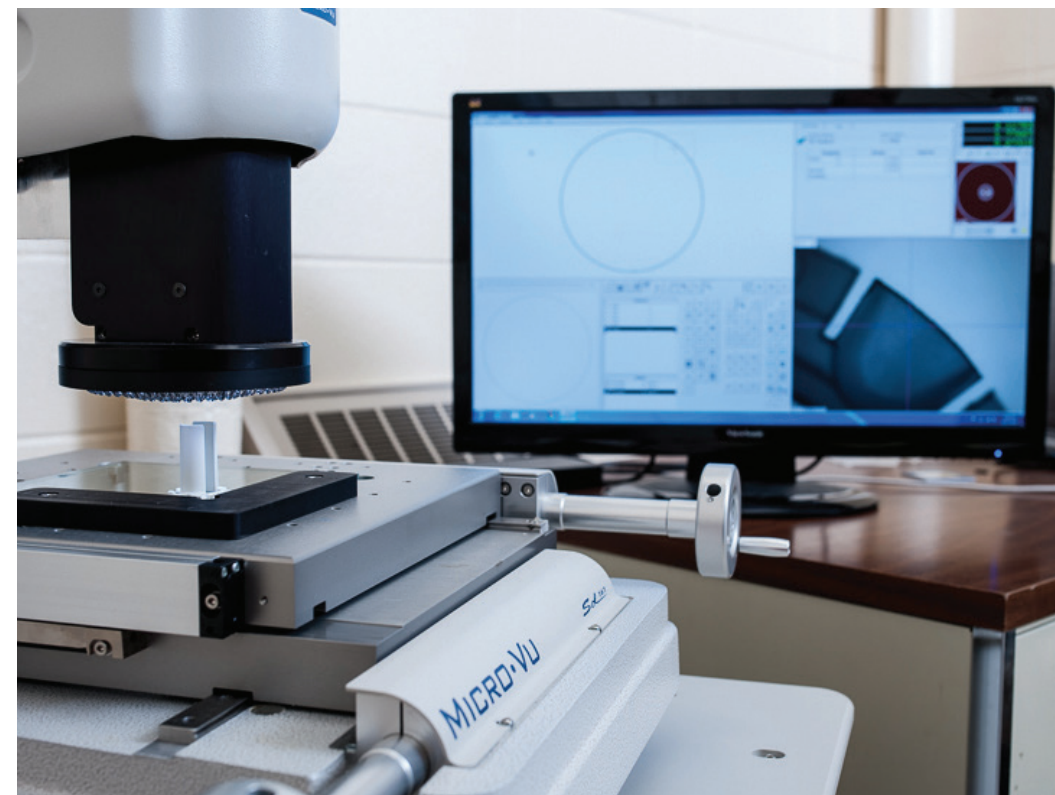
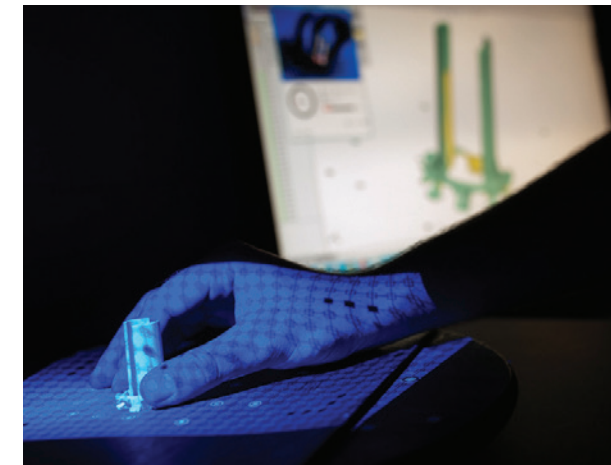
The Automate™ line has benefited significantly from Rollease Acmeda's commitment and approach to innovative design and calculated development.

A hardware system designed for motorization

Quiet motors and finished shades

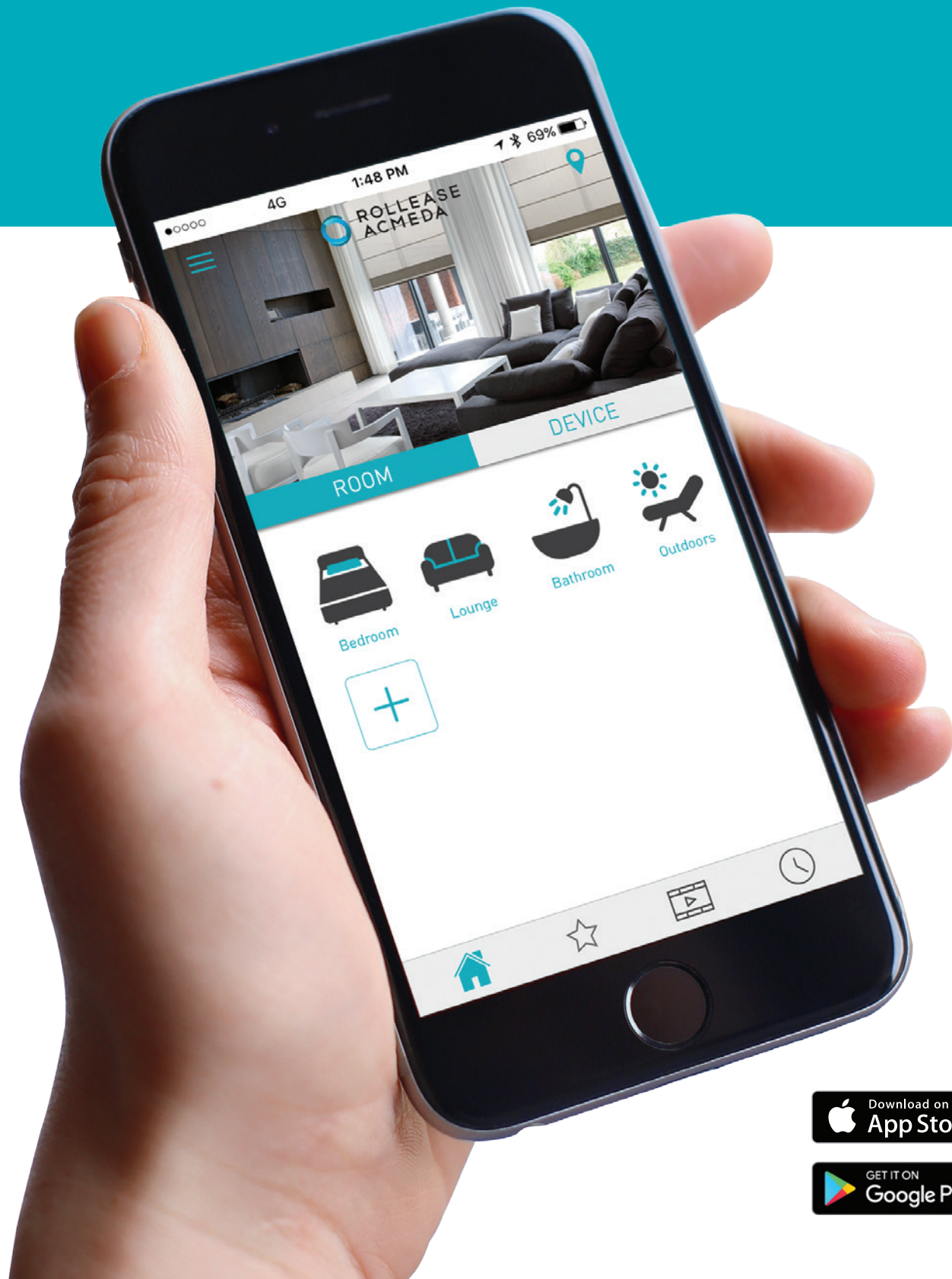
Low light gap bracketry

Rollease Acmeda motorized shade systems appear and perform at a best in class level because of a unified hardware and motorization design approach.



EXPERIENCE A NEW LEVEL OF CONTROL

The Automate™ Mobile App enables simple, intuitive control and system configuration from your smart phone or tablet. Advanced features like scheduling and remote access allow users to get the most out of their smart shades.



Automate™ wall switches

Automate™ wall switches come in both cut in and flush mount configurations and provide a sensible control option for room and whole home control.

Available with 1, 5 or 15 channels.



Paradigm remote controls

Paradigm remote controls offer modern features including LCD displays, individual, group and ALL control and precision levelling, giving users complete control from an elegant hand held remote.

Available with 1 or 15 channels.



Automate™ indoor sun sensor

Automate™ sun sensors automatically manage daylighting at each window, minimizing reliance on and costs of artificial light.



The home has never been so smart.
Control, scheduling, automation...
instantly from your phone or voice.

THE HEARTBEAT OF YOUR MOTORIZED SHADES

The Automate™ PULSE hub provides the heartbeat
of the Automate™ smart home experience.

With wi-fi built in, simply plug in where convenient and connect to the
local wireless network. Automate™ shades can be then controlled from your
smart phone/tablet or integrated within a whole home control system.



SET UP TO
20 TIMERS



SET UP TO
20 SCENES



MANAGE UP
TO 20 ROOMS



SETUP
WIZARD



MANAGE
UP TO 5
LOCATIONS





COMMUNICATE WITH CONFIDENCE

ARC communication protocol ensures Automate™ motorized shades are reliable and easy to use... paving the way for the window coverings of tomorrow's smart home.

CLEVER COMMUNICATION

Automate™ Motorization utilizes a new Radio Frequency platform called Automate™ Radio Communication - ARC. The ARC communication protocol utilizes a 433MHz radio frequency, well known for strong, reliable communication in the connected home devices space.

Automate™ ARC protocol also features bi-directional communications which empowers users and connected systems to experience shade control like never before.



BATTERY HEALTH STATUS



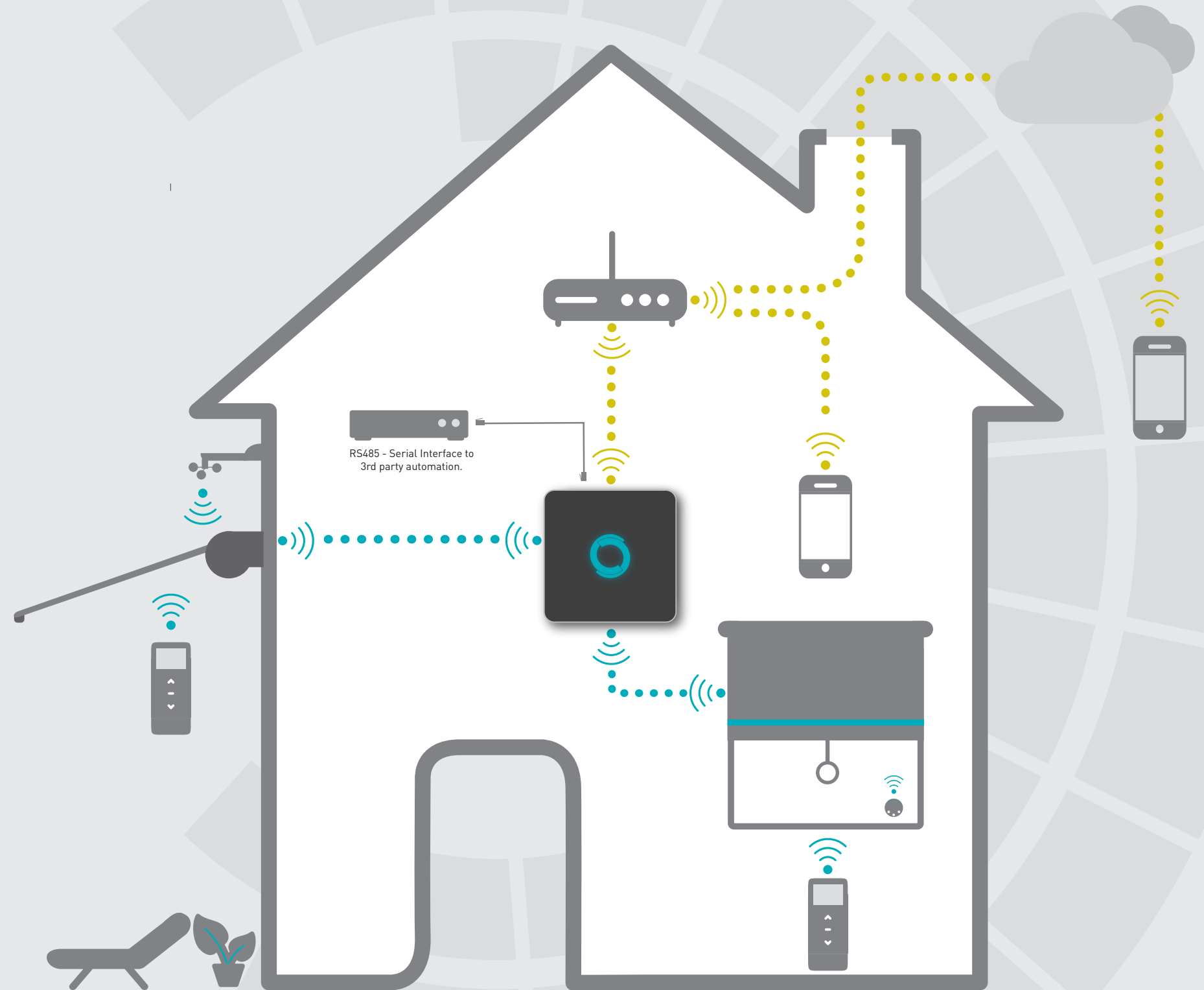
LIVE ANIMATED FEEDBACK

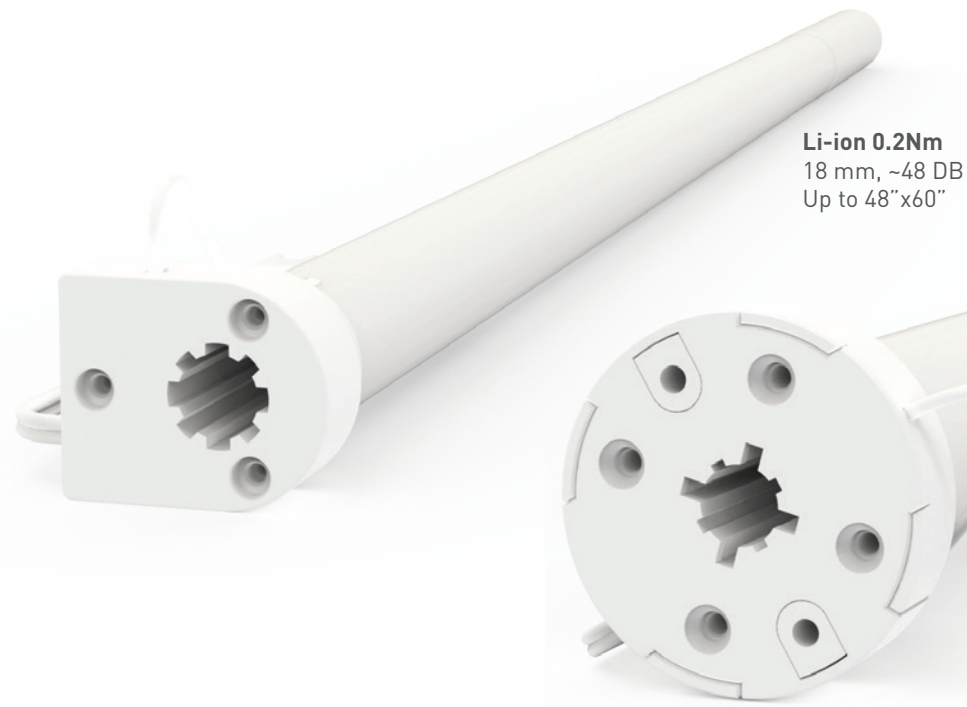


EFFICIENT PROGRAMMING

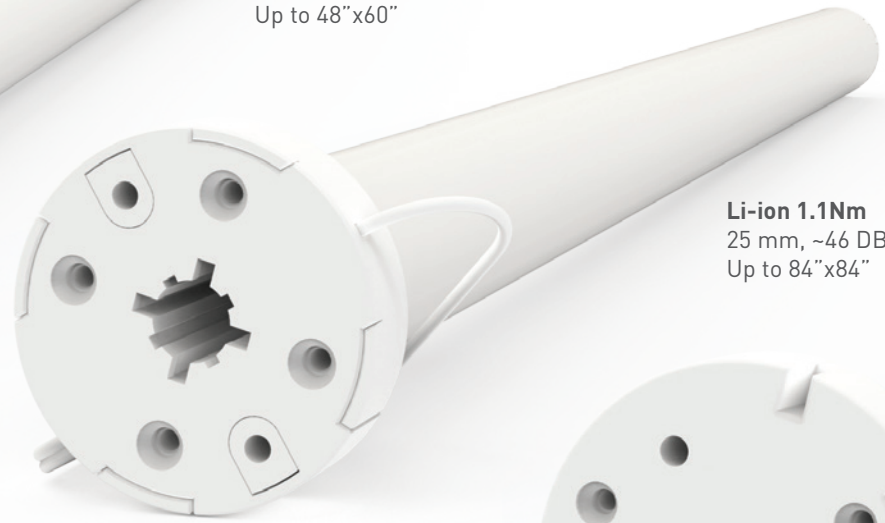


1 REMOTE FOR YOUR ARC™ MOTORS



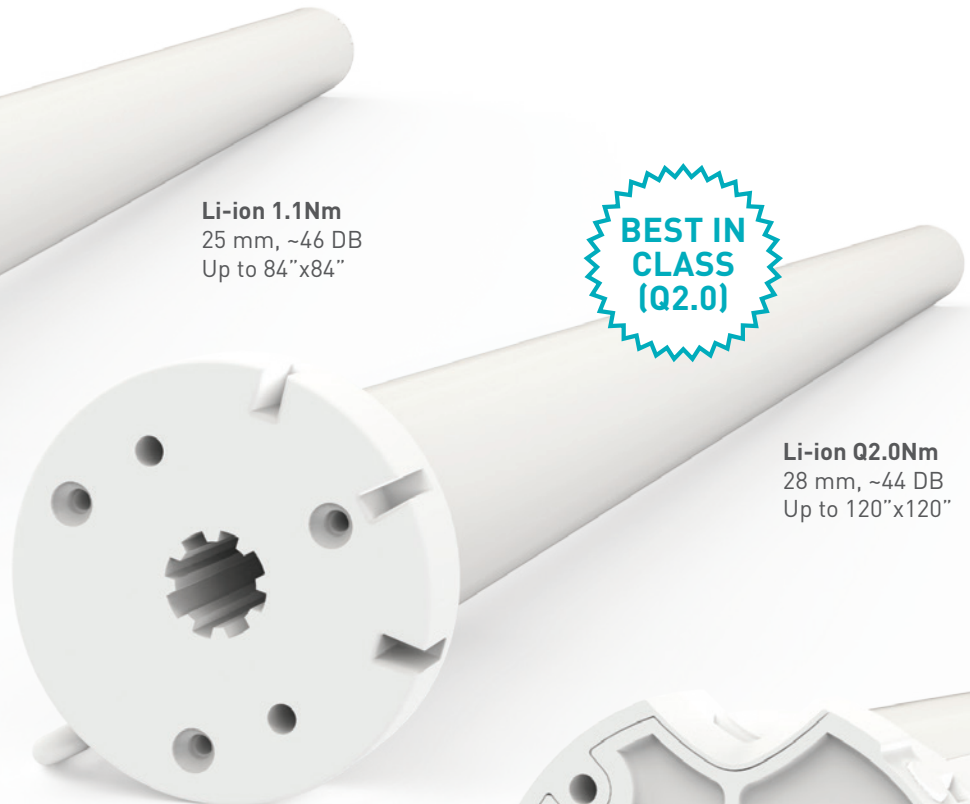


Li-ion 0.2Nm
18 mm, ~48 DB
Up to 48"x60"

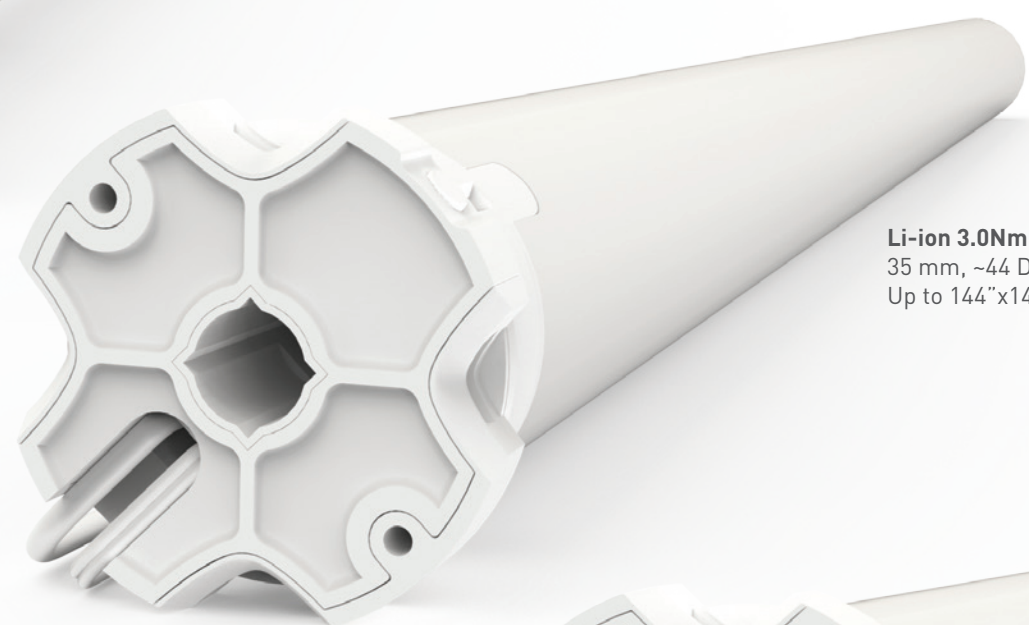


Li-ion 1.1Nm
25 mm, ~46 DB
Up to 84"x84"

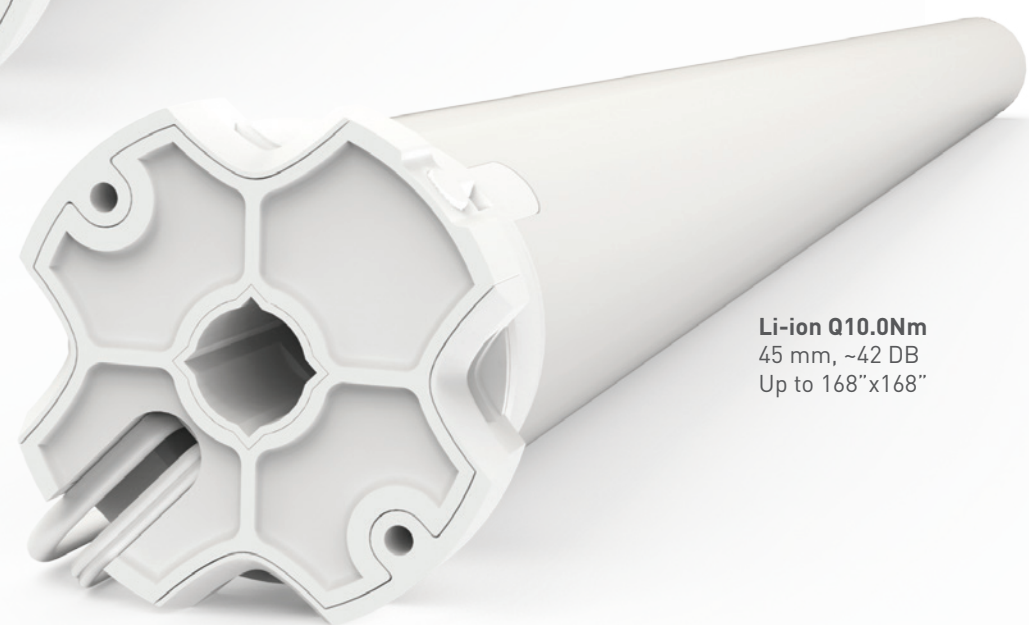
BEST IN CLASS (Q2.0)



Li-ion Q2.0Nm
28 mm, ~44 DB
Up to 120"x120"



Li-ion 3.0Nm & Q3.0Nm
35 mm, ~44 DB
Up to 144"x144"



Li-ion Q10.0Nm
45 mm, ~42 DB
Up to 168"x168"

Light sensing automatically manages daylighting at each window, minimizing reliance on and costs of artificial light.

AUTOMATE™ LI-ION

Automate's™ core motor line, Li-ion, utilizes state of the art lithium ion battery technology integrated with the shades.

No wires for Easy Retrofit

Extended battery life with 500 expected up/down cycles per charge

Rechargeable from 12v wall charger

No bulky, external battery pack



BATTERY POWERED

LEVEL CONTROL

FAVORITE POSITION

SELECTABLE RPM

QUIET OPERATION

LOW LIGHT SOLAR

Upgrade Li-ion motors to include Automate's™ industry leading low light harvesting solar panel for a completely off-grid system that virtually never needs attention.



THE AUTOMATE™ RANGE



LITHIUM ION & BATTERY SHADES

Teach your old home new tricks

Automate™ Li-ion battery powered motorized shades are a perfect retro-fit for existing homes or small commercial projects. Available in today's popular Roman and Roller shade applications, Li-ion powered motors require no electrical wiring, no external battery pack and no complicated installation.

AC WIRED SHADES

Power, when you need it

Automate™ AC powered motorized shades are a great choice for homes with very large windows and awnings as well as large commercial projects.

With lifting capacities up to 14' x 14' and run times up to 4 minutes, Automate™ AC powered shades are fit for projects of any size.

DC WIRED SHADES

Design with daylight

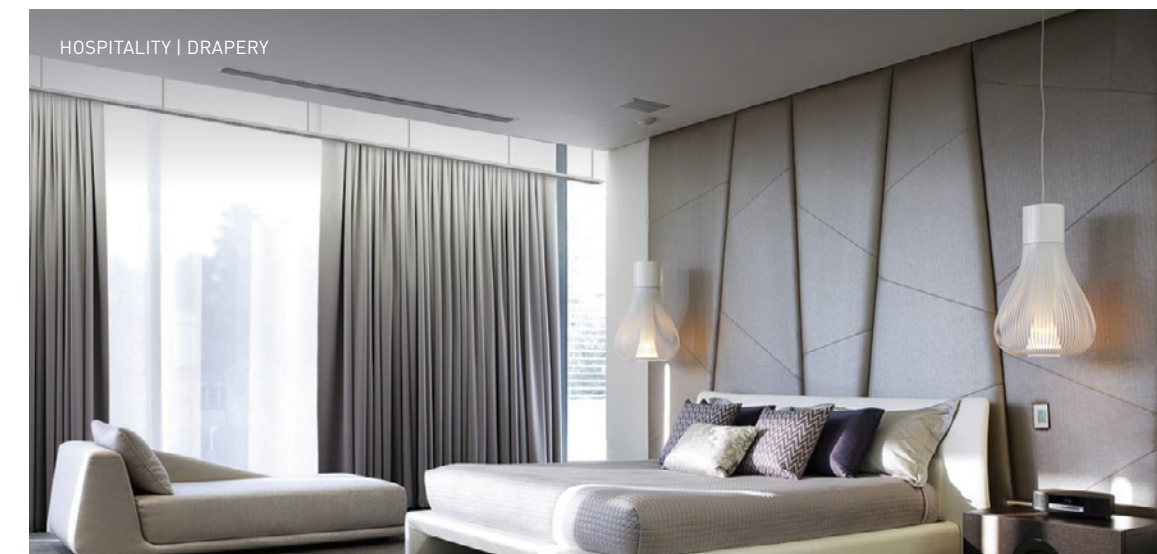
Automate™ DC powered motorized shades are an excellent choice when designing a new home, motorizing an entire existing home, or planning a small commercial project. DC wired shades are maintenance free and low voltage DC wiring keeps installation costs to a minimum.

DRAPERY

Drape your home in luxury

Automate™ motorized draperies are powered by AC line voltage, and can support draperies up to 110 lbs. (50kg) using our proprietary ARC protocol.

In addition, the drapery motor features an innovative Soft Touch technology, where you can automatically open or close your curtains with one soft touch.







CHERISH THE BRIGHTEST MOMENTS

The best window coverings balance fashion and function. They bring warmth to a living space, offer perspective into the world around, and keep us safe.

AUTOMATE™ shades eliminate a physical operating cord, creating a child and pet safe environment. They bring elements of comfort and convenience to the space we spend most of our lives. They let in the light we need, when we need it, and keep the rest of our lives private when we don't.

LET US SUPPORT YOU

 **Rollease Acmeda YouTube Channel**
Automate Playlists

 **Support available on our website**
www.rolleaseacmeda.com [motorization]

rolleaseacmeda.com

