

# MOUNTING RAIL

## FEATURES & BENEFITS

- Option to completely assemble shade off-site for installation.
- Quick snap fit installation into the Universal Mounting Brackets.
- Curved design to maximise the roller drop.
- Compatible with LX/VX brackets.
- Dedicated bracket covers to match mounting rail silhouette.



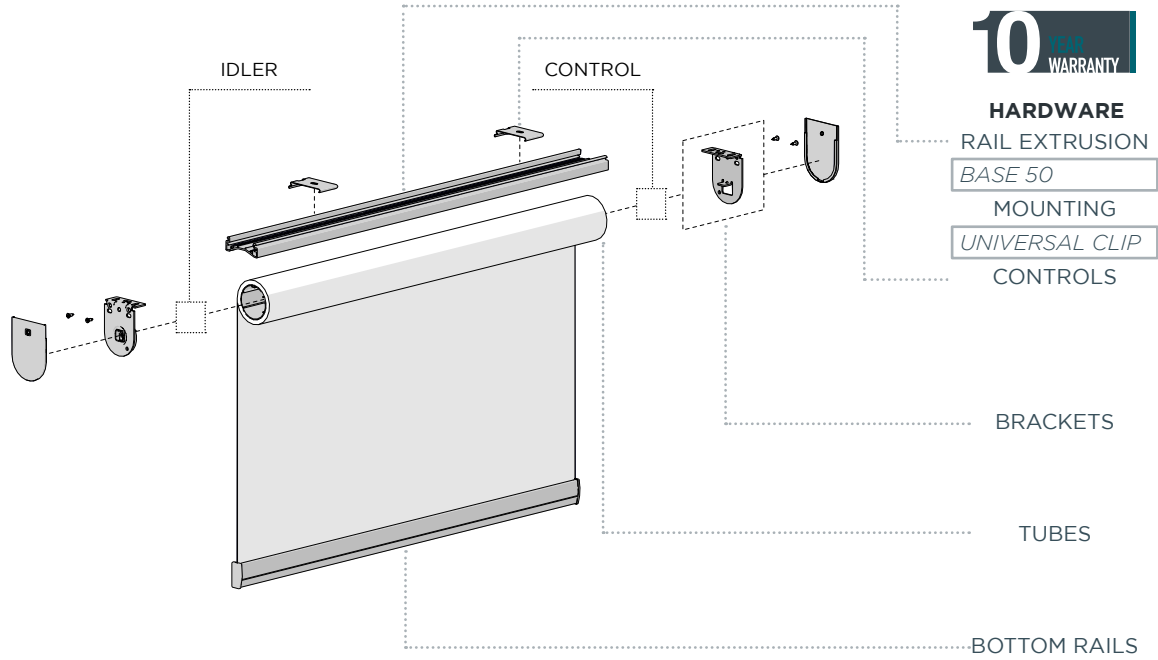
## MOUNTING SOLUTIONS



**COLOUR RANGE**  
pure white

**WEBPAGE LINK**

### SYSTEM UPGRADES

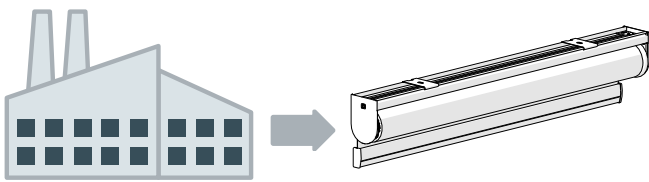


**10** YEAR WARRANTY

**HARDWARE**  
RAIL EXTRUSION  
BASE 50  
MOUNTING  
UNIVERSAL CLIP  
CONTROLS

## KEY SYSTEM FEATURES

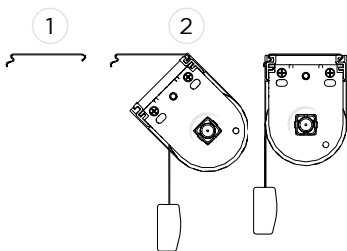
### PREFABRICATE + QUICK INSTALL



Simplified Off-site Assembly.

### SNAP FIT INSTALLATION

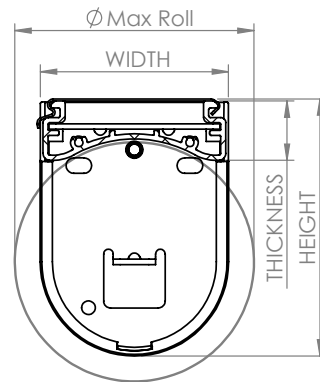
### AESTHETICS



1. Install Bracket.
2. Snap-In assembly.

Dedicated bracket cover

## TECHNICAL DATA



<b>RAIL BASE</b>	50mm	
<b>WIDTH</b>	54mm	
<b>COVERS</b>	✓	
<b>HEIGHT</b>	LX/VX 40	70mm
	LX 55	97mm
<b>MAX ROLL</b>	LX/VX 40	75mm
	LX 55	90mm

