

## MULTI-LINK™ SYSTEM S60

The Acmeda Multi-Link™ system provides a solution to linking shades within the Uni System range. Designed to allow multiple shades to be controlled using a single motor or chain control operation. Maximum width requirements can be achieved with minimal gap disturbances.

## AESTHETIC FEATURES

- Colour coded components.
- Optional screw plate cover providing a neat finish.

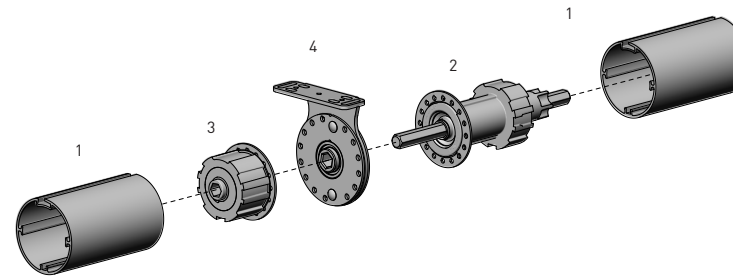
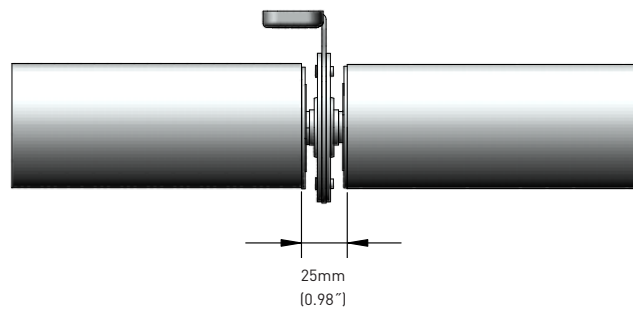
## ASSEMBLY / INSTALLATION BENEFITS

- Retractable Intermediate Drive allowing blinds to be installed separately to brackets.
- Adjustable bracket allowing for an overall height adjustment of 10mm [0.39"] [5mm [0.19"] up/down].
- Combo Intermediate bracket allows linking of dual blinds.
- Cost effective Non Adjustable bracket option.

## FUNCTIONAL BENEFITS

- Noise dampening bearings ensure a silent & smooth operation.
- Intermediate receiver incorporates a rotating lock mechanism to achieve accurate levelling.
- Intermediate Drive & Receiver manufactured from high grade ABS polycarbonate alloy & machined steel.

## DEDUCTIONS



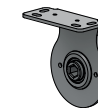
## SYSTEM INDEX

1	Aluminium Tube S60
2	Multi-Link™ Intermediate Drive RB56-1002-xxx060 - 60STD RB56-1002-xxx080 - 80HD
3	Multi-Link™ Intermediate Receiver RB56-7202-xxx060 - 60STD RB56-7202-xxx080 - 80HD
4	Intermediate Bracket - Adjustable RB56-7201-xxx060 - Top/Ceiling Fix - 60mm RB56-7201-xxx080 - Top/Ceiling Fix - 80mm RB56-7202-xxx060 - Face/Wall Fix - 60mm RB56-7202-xxx080 - Face/Wall Fix - 80mm

xxx= colour    ## = size

## SYSTEM OPTIONS

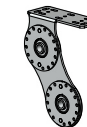
## NON ADJUSTABLE BRACKET



## NON ADJUSTABLE COMBO BRACKET



## ADJUSTABLE COMBO BRACKET



## COMPATIBLE SYSTEMS

## CHAIN CONTROL SYSTEM S60



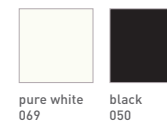
## CRANK GEAR SYSTEM S60



## MOTORISED SYSTEM S60



## COLOUR RANGE



pure white  
069

black  
050