

OVERVIEW: SKYLINE MEDIUM HEAVY DUTY CHAIN CONTROL | G200 GALAXY & SL20-Lite | 50mm (2") SYSTEM

The Skyline system is the flagship of the Rollease product line. The heavier duty Skyline Medium Chain Controls, SL20-Lite & G200 Galaxy offers sleek rounded chain guard profiles which are ideal for both residential & commercial applications whilst featuring Velvetrol Technology and our limited lifetime warranty. The premium Skyline G200 Galaxy Clutch builds on the Rollease flagship line by featuring an advanced geared patented technology. The planetary gearing mechanism enhances the lifting capacity by up to three times all whilst retaining minimal user effort.

AESTHETICAL FEATURES

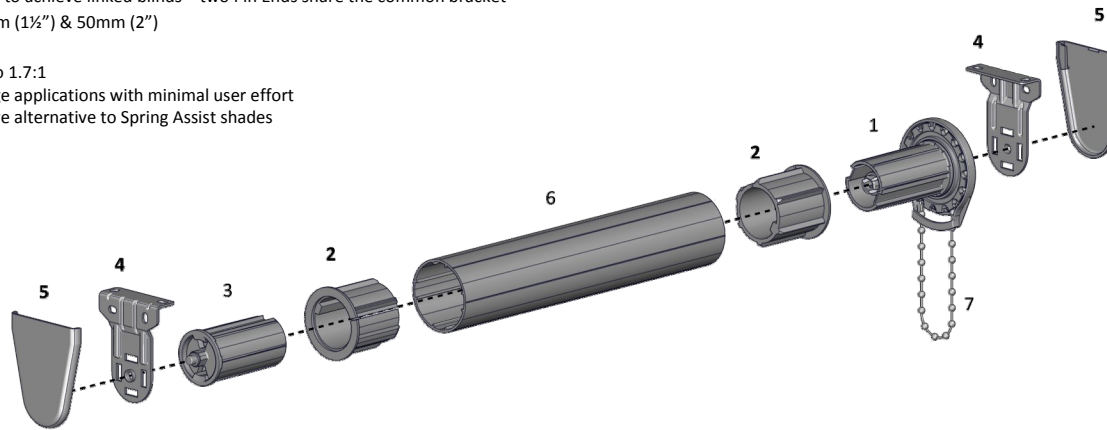
- Sleek, rounded chain guard design
- Reduced light gaps
- Bracket Covers, colour coded

PRODUCTION / ASSEMBLY FEATURES

- Greater flexibility in installation with spring loaded pin end
- Universal brackets
- Hooked clutches for easy and universal performance
- Easy chain attachment

FUNCTIONAL BENEFITS

- Smooth operation
- Patented Velvetrol internal spring arrangement
- Guarded chain cover for minimal noise
- Limited Lifetime Warranty – long lasting durability achieved from fibre-glass filled nylon construction
- Intermediate bracket to achieve linked blinds – two Pin Ends share the common bracket
- 2 Tube options; 38mm (1½") & 50mm (2")
- G200 Galaxy
 - Gearing ratio 1.7:1
 - Ideal for large applications with minimal user effort
 - Cost-effective alternative to Spring Assist shades



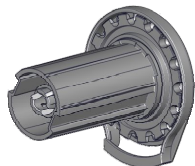
SYSTEM INDEX

1. Clutch G200 Galaxy 38mm (1 ½") RGALHx
2. Adaptor Over 15lbs 50mm (2") RA2x
3. Pin End Heavy Duty 38mm (1 ½") SLPEHD53x
4. Bracket Standard 50p (2") & 73p (2 ¾") SLB6#0x
5. Bracket Cover Standard 50p (2") & 73p (2 ¾") SLBC6#0x
6. Tube 50mm (2") Rollease RTEA-5T05-000580
7a. Rollease Line Metal Chain 50-51BPF VA01-141x-xxx###
7b. Acmeda Line Plastic Chain 48-49BPF VA01-1406-xxx###

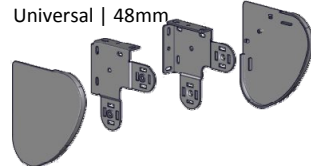
x = colour / finish
= size

PRODUCT OPTIONS

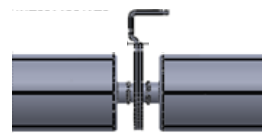
Clutch | SL20-Lite | 38mm (1 ½")



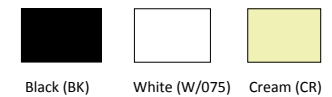
Bracket & Cover | Double Universal | 48mm



Brackets | Intermediate Standard 50p (2") & 73p (2 ¾")

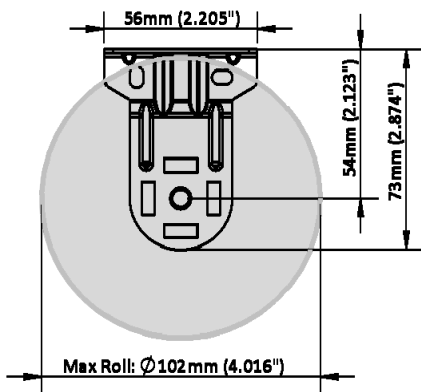


COLOUR RANGE

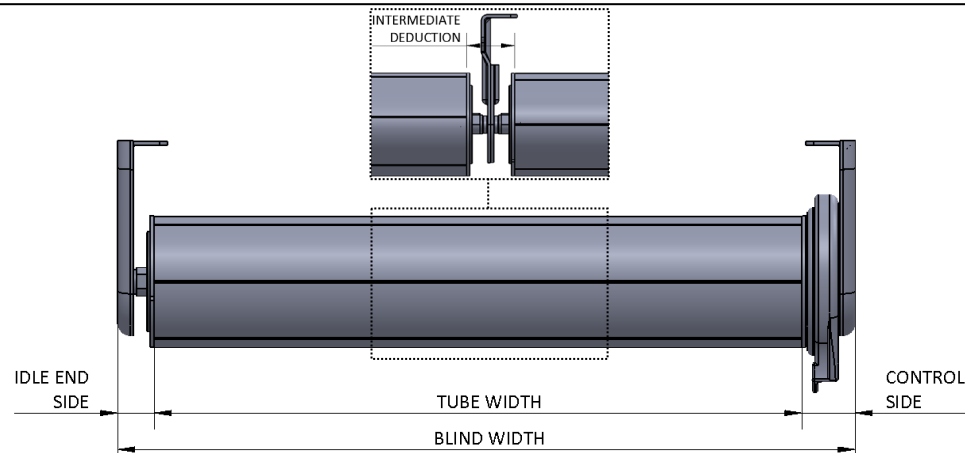


SPECIFICATIONS: SKYLINE MEDIUM HEAVY DUTY CHAIN CONTROL | G200 GALAXY & SL20 | 50mm (2") SYSTEM

MAX ROLL



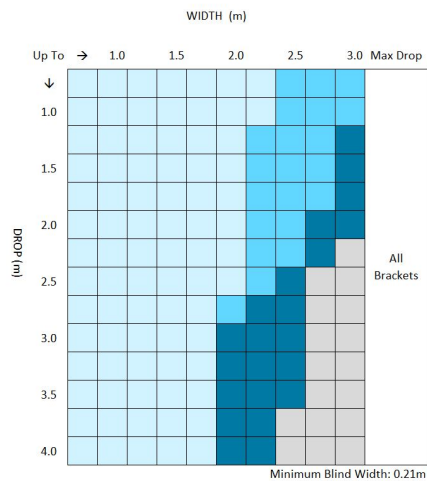
DEDUCTION



	IDLE END SIDE	CONTROL SIDE		OVERALL DEDUCTION	
		SL20	G200	SL20	G200
Standard Bracket – with covers	12mm (0.472")	17mm (0.669")	20mm (0.787")	29mm (1.142")	32mm (1.260")
Standard Bracket – without covers	11mm (0.394")	15mm (0.591")	18mm (0.707")	26mm (1.024")	29mm (1.142")
Standard Intermediate Skyline Bracket	-	-	-	25mm (0.984")	

SYSTEM CAPACITY

Based on Recommended User Effort

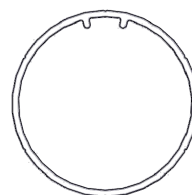


CONTROL	TUBE
SL20 - L / G200	50mm / 38mm
	50mm
G200	50mm
	OUTSIDE SPECIFICATION

Chart based on 50mm Rollease Tube, 420gsm fabric weight, 0.6mm fabric thickness & D30 Bottom Rail.

TUBE SPECS

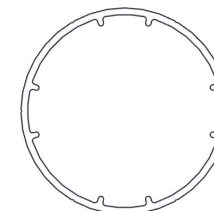
* Adaptors are not required when the 38mm (1-1/2") Tube is used



38mm (1-1/2") ROLLEASE

Tube *

CODE	
+ M/P Tape:	RTEA-4T16-000580-T5
O.D:	38.6mm
Length:	5.8m
Maximum Hold Weight	
- SL20-Lite:	7.2kg
- G200:	10.8kg



50mm (2") ROLLEASE

Tube

CODE	
+ M/P Tape:	RTEA-5T16-000580-T5
O.D:	39.9mm
Length:	5.8m
Maximum Hold Weight	
- SL20-Lite:	5.5kg
- G200:	8.2kg