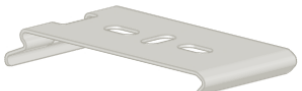
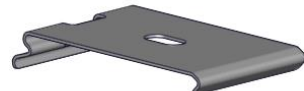


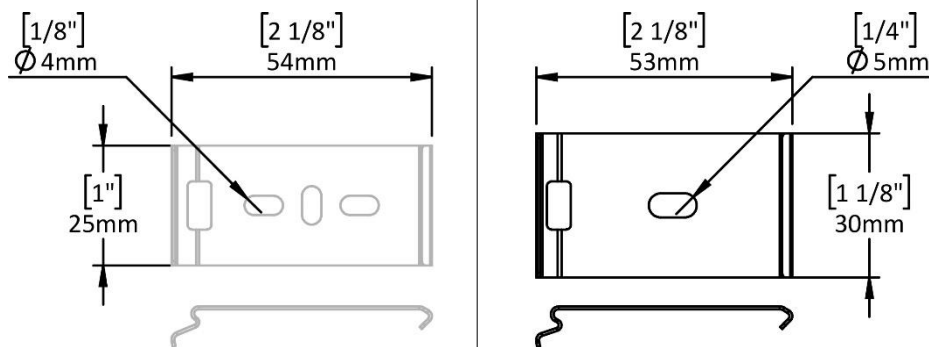
PRODUCT CHANGE | MOUNTING RAIL BRACKETS

	DISCONTINUED PRODUCT			REPLACEMENT PRODUCT			CHANGES MADE	
	AU	US	EU	AU	US	EU	YES	NO
REGION.	AU	US	EU	AU	US	EU		
DESCRIPTION.	Mounting Rail – Slimline Spring Clip Bracket			Mounting Rail – Slimline Spring Clip Bracket			<input type="checkbox"/>	<input checked="" type="checkbox"/>
CODE.	RB88-2092-xxx001			RB88-2092-xxx001			<input type="checkbox"/>	<input checked="" type="checkbox"/>
PACK SIZE.	100 1000 Piece			100 1000 Piece			<input type="checkbox"/>	<input checked="" type="checkbox"/>
PRICE.	REFER RELEVANT PRICE LIST						<input type="checkbox"/>	<input type="checkbox"/>
COLOUR / FINISH.	304 Stainless Steel	304 Stainless Steel	304 Stainless Steel	White / Zinc Plated	White / Zinc Plated	White / Zinc Plated	<input checked="" type="checkbox"/>	<input type="checkbox"/>
ITEM CODE.	RB88-2092-010001			White RB88-2092-069001 Zinc Plated RB88-2092-025001				
IMAGE.							<input checked="" type="checkbox"/>	<input type="checkbox"/>
USE WITH.	RB88-2051-xxxLLL Mounting Rail			RB88-2051-xxxLLL Mounting Rail			<input type="checkbox"/>	<input checked="" type="checkbox"/>
TRANSITIONING.	April 2018							

IMPROVEMENTS / CHANGES

FUNCTIONAL IMPROVEMENTS / CHANGES

- Updated fixing location to improve the holding capacity of system. Centralised within bracket depth.



CHANGES MADE	
YES	NO
<input checked="" type="checkbox"/>	<input type="checkbox"/>

PRODUCTION / INSTALLATION IMPROVEMENTS

- n/a

CHANGES MADE	
YES	NO
<input type="checkbox"/>	<input checked="" type="checkbox"/>

AESTHETIC IMPROVEMENTS / CHANGES

- n/a

CHANGES MADE	
YES	NO
<input type="checkbox"/>	<input checked="" type="checkbox"/>