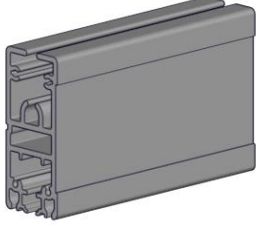
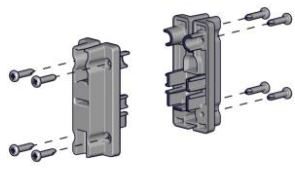


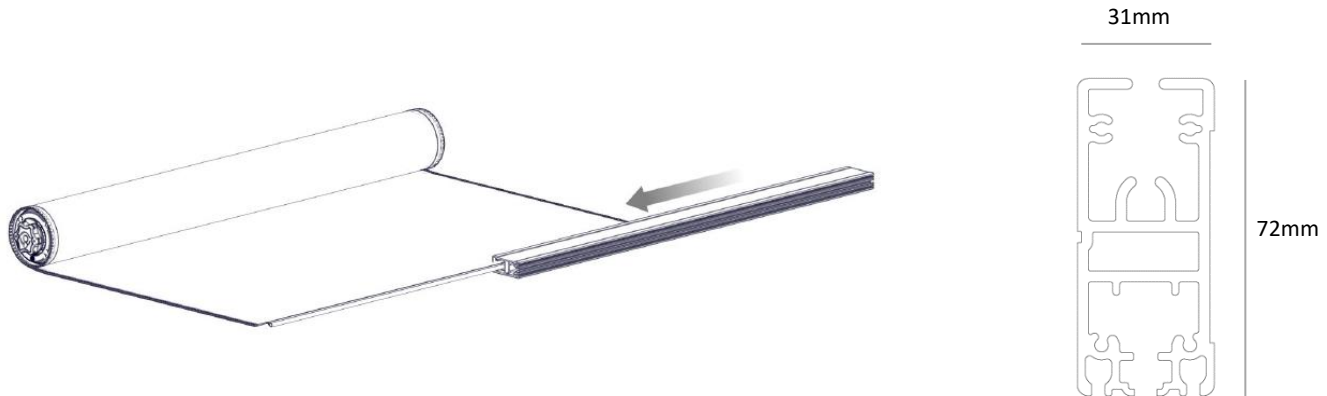
NEW PRODUCT | F72 HD External Weight Bar & Caps

PRODUCT DETAILS		
DESCRIPTION.	F72 HD External Weight Bar	F72 Weight Bar End Cap Set + Screws
CODE.	RE15-0111-xxx700	RE15-0511-xxx000
PACK SIZE.	1 36 lengths	5 200 sets
PRICE.	Refer relevant price list	Refer relevant price list
COLOUR / FINISH.	Mill 000, Anodised 018, Black 050, Pure White 069	Black 050, Pure White 069
LENGTH/ SIZE.	72mm x 31mm x 7m	
IMAGE.		
USE WITH.	Zipscreen System, S100 Wire Guide Extreme	
AVAILABLE.	July 2017	

FEATURES & BENEFITS

PRODUCTION / INSTALLATION FEATURES

- One piece extrusion providing easy slide on assembly.
- Compatible with Zipscreen Ultra-Lock.



FUNCTIONAL BENEFITS

- Strongest Weight bar in Rollease Acmeda range.
- Works with existing Ultra-Lock & Bubble Seal.
- Available in 7 metre lengths to suit Extreme systems using a single part.

AESTHETIC FEATURES

- Contemporary square design.
- Matches the F56 bottom rail for continuity.