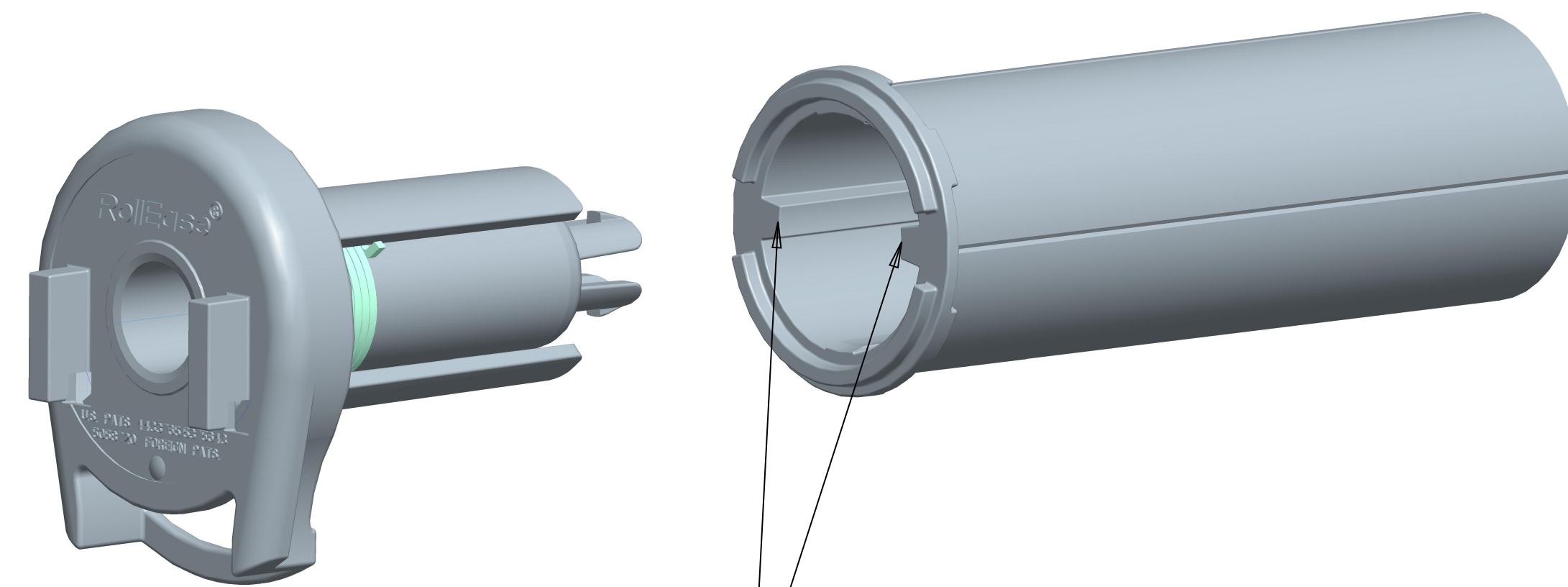
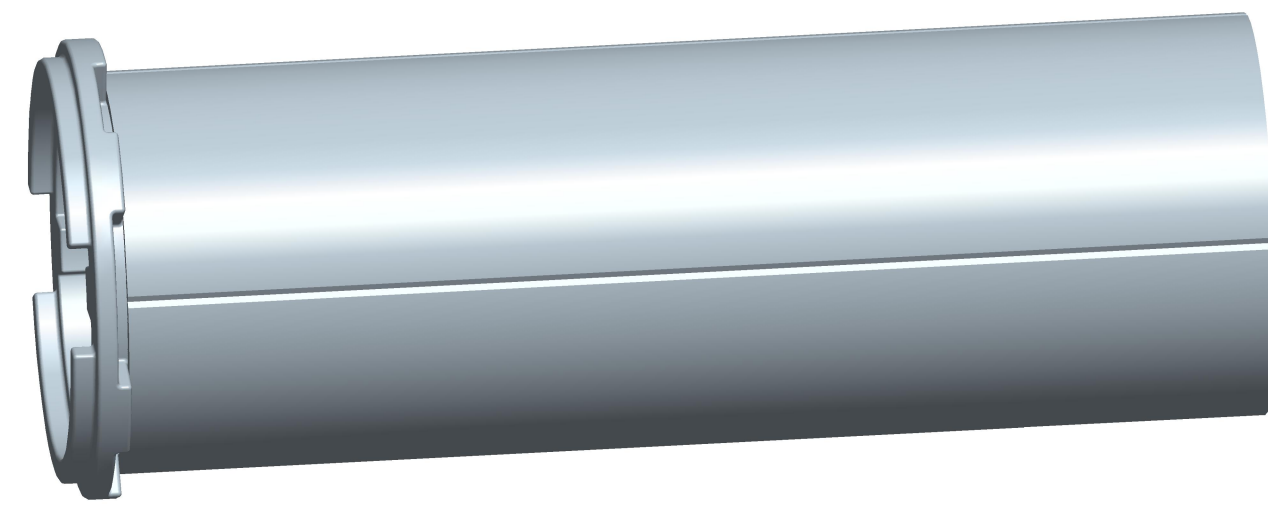
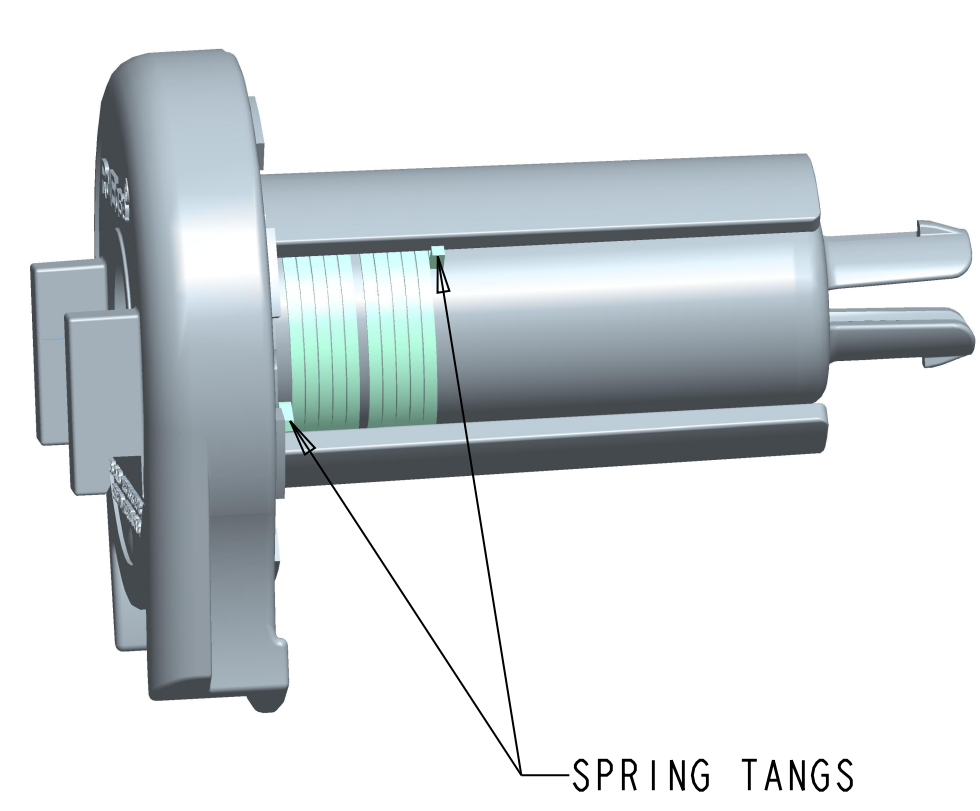


REVISION RECORD				
SYM	DESCRIPTION	BY	DATE	CHK
A	INSPECTION DRAWING FOR CUSTOMER	JSG	09JUN11	



ALIGN HOUSING KEYS BEWEN
THE PULLEY OPENING AND
SPRING TANG

THIS INFORMATION IS CONFIDENTIAL AND PROPRIETARY TO ROLLEAS, INC. THE POSSESSOR AGREES TO MAINTAIN THIS INFORMATION AS CONFIDENTIAL, NOT REPRODUCING OR REVEALING IT IN WHOLE OR IN PART TO ANY THIRD PARTY.	INCHES	RollEase Window Covering Systems		
	TOLERANCES	USED ON	SKYLINE	MATL
	X.XX : ± 0.015 X.XXX : ± 0.005 ANG : ± 1°	DRWN BY	TITLE	SEE DETAIL DRG
		JSG	ASSY SKYLINE CLUTCH	SOLID 1.14
	DATE	SIZE	SCALE	ENGINEERING DRAWING NUMBER
	09JUN11	D	2/1	W164P129
				REV
				I